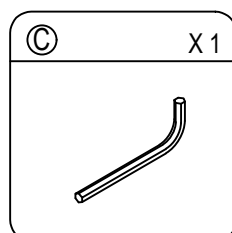
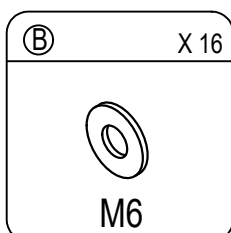
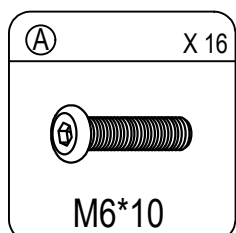
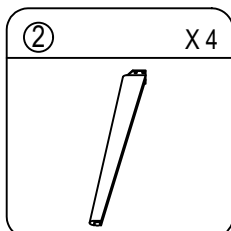
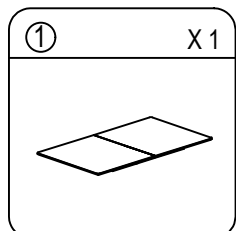
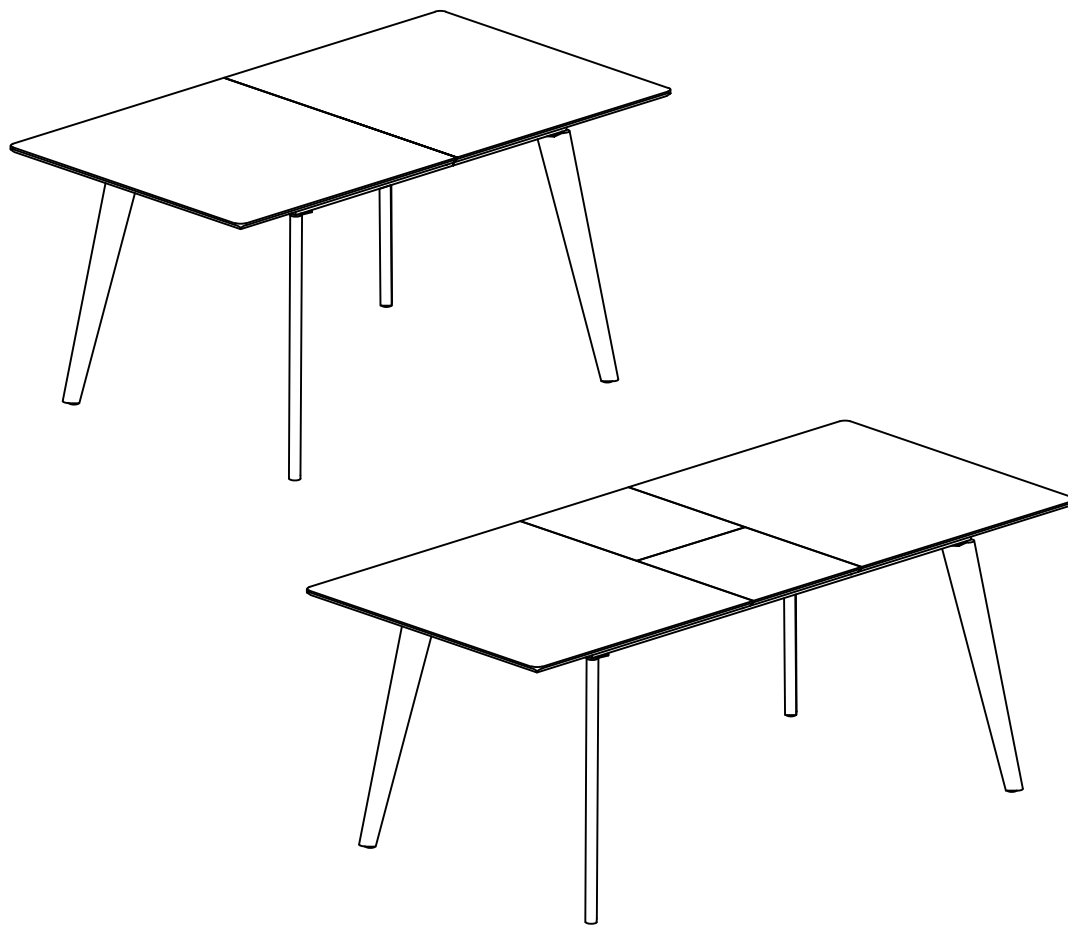
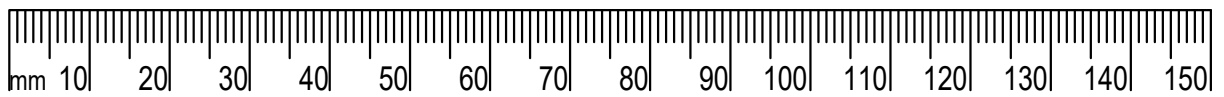
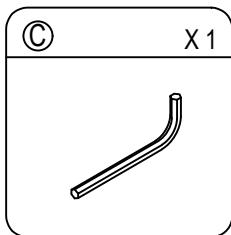
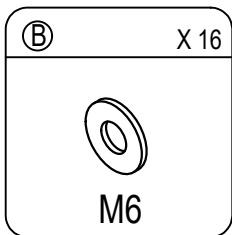
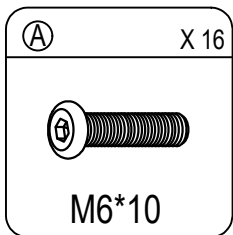
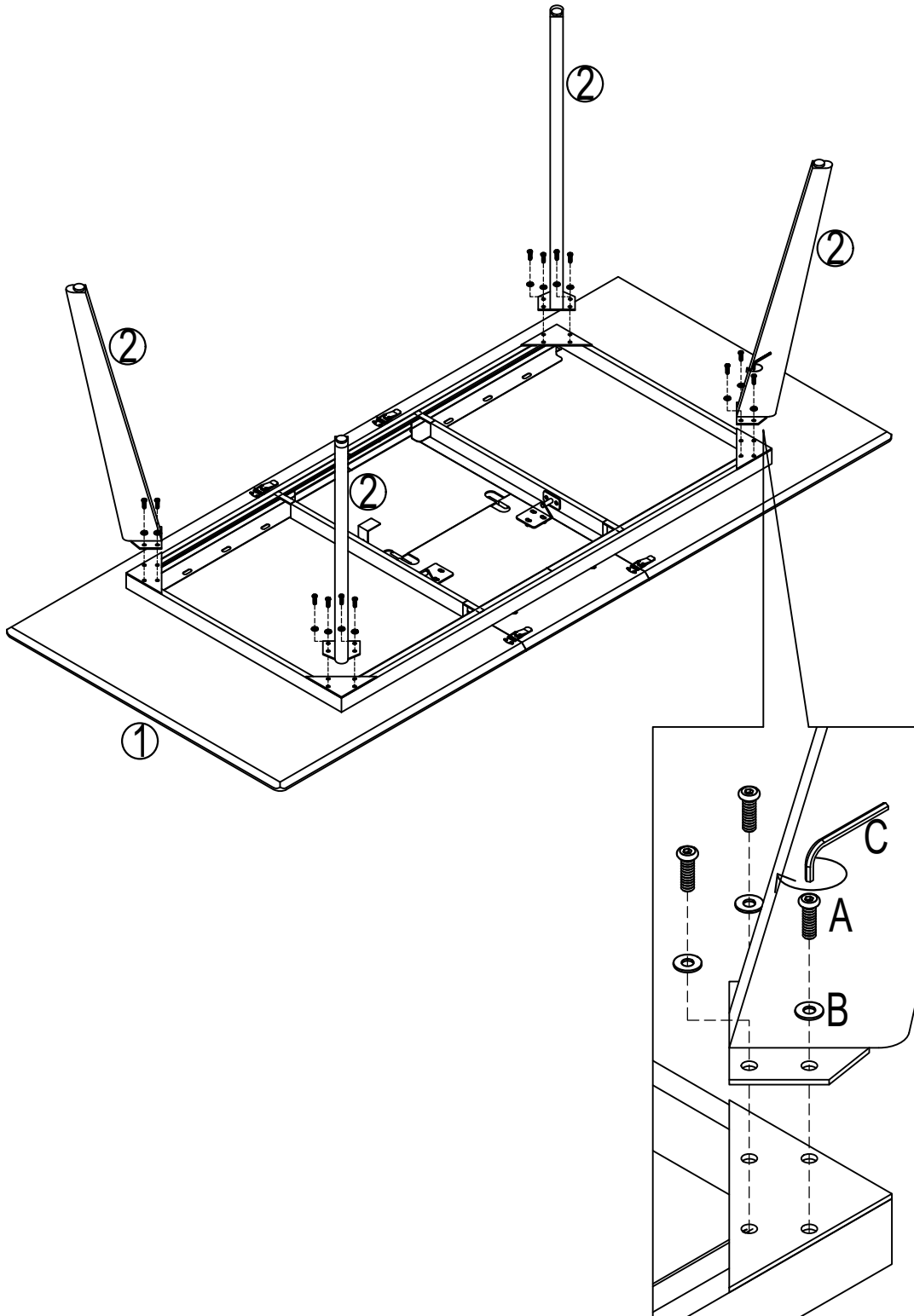


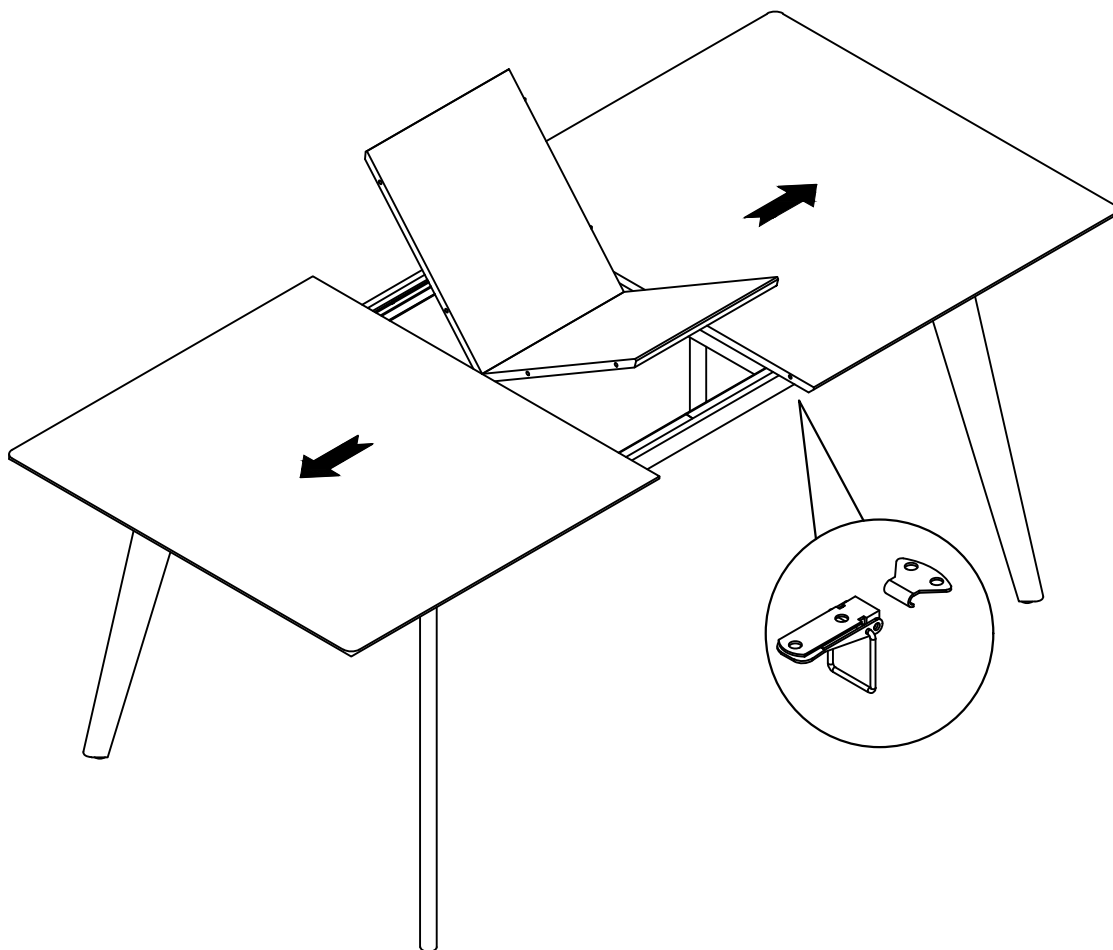
11250272/01

1398135





2



3

