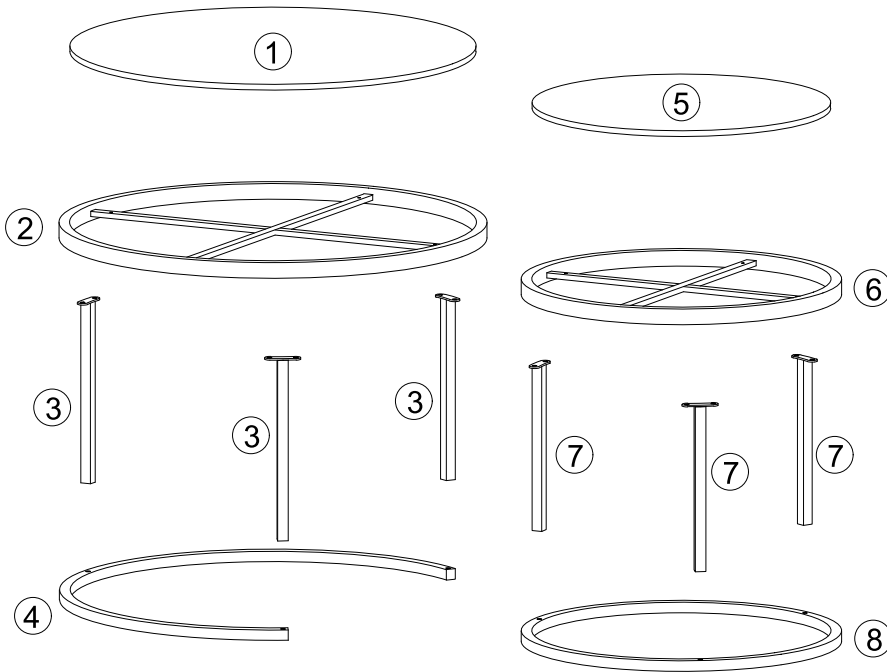
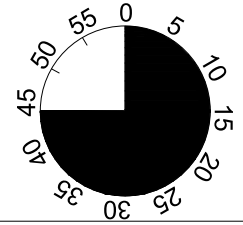
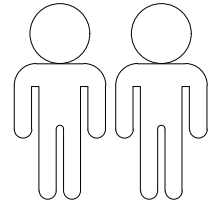
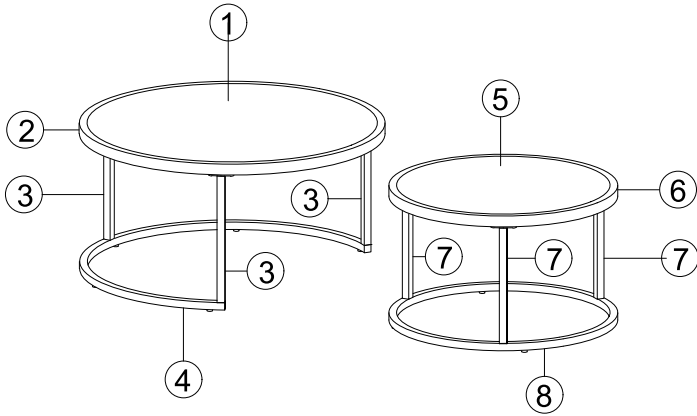
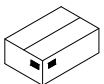


ILLE



| | |
|---|----|
| 1 | 1X |
| 2 | 1X |
| 3 | 3X |
| 4 | 1X |
| 5 | 1X |
| 6 | 1X |
| 7 | 3X |
| 8 | 1X |

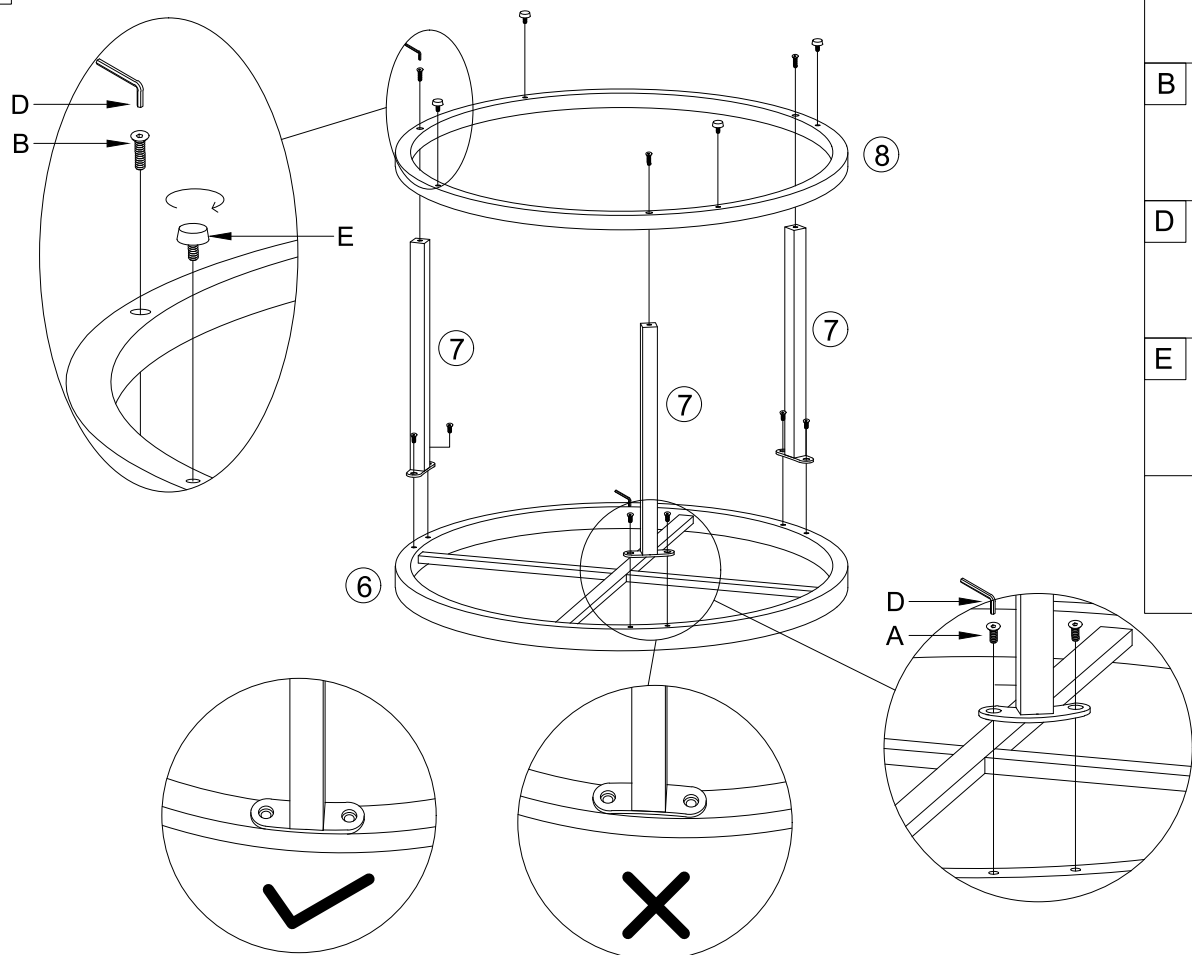


1/1

| | | | | | | | | | |
|---|-------|---|-------|---|-----|---|-----|---|-----|
| A | M6x12 | B | M6x35 | C | Ø20 | D | 4MM | E | Ø16 |
| | 12x | | 6x | | 8x | | 1x | | 9x |

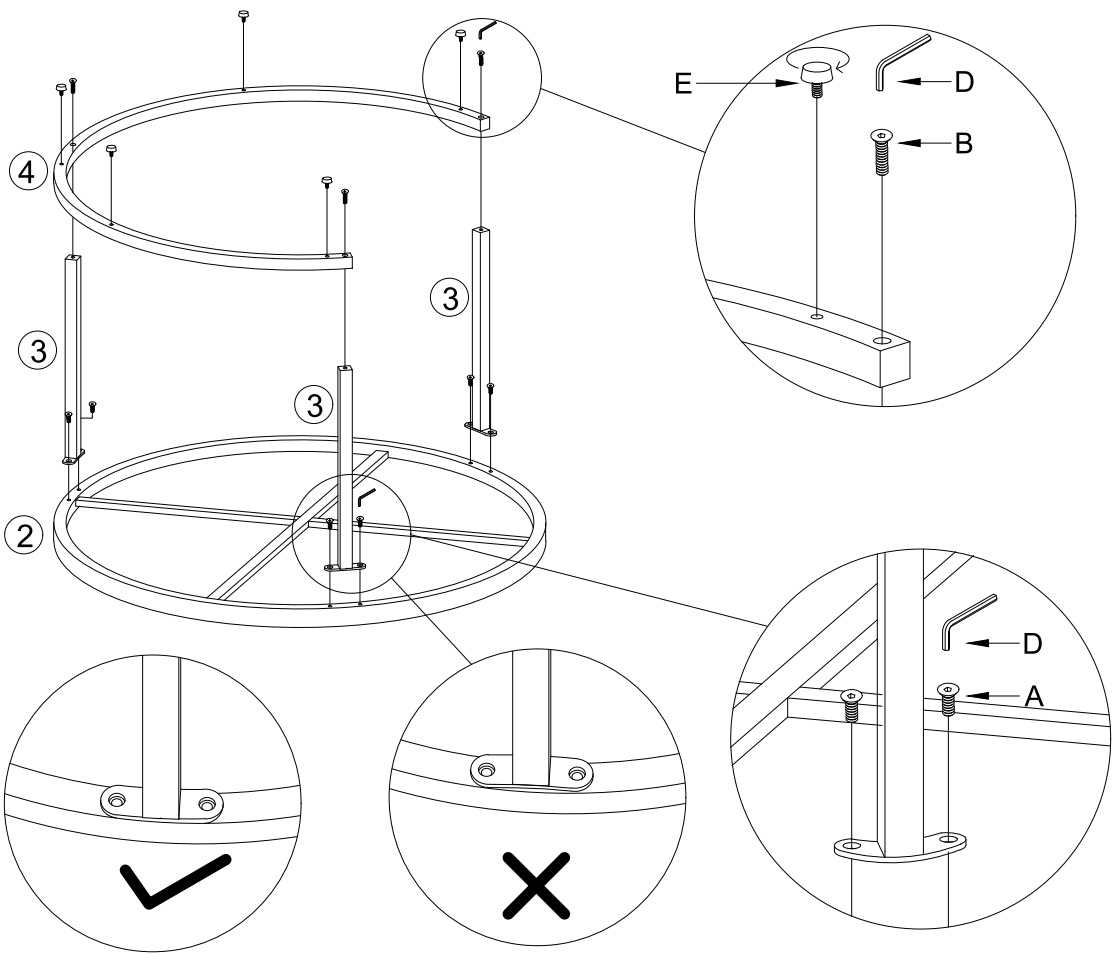
I.

1



| | |
|---|-------|
| A | M6x12 |
| | 6x |
| B | M6x35 |
| | 3x |
| D | 4MM |
| | 1x |
| E | Ø16 |
| | 4x |
| | |

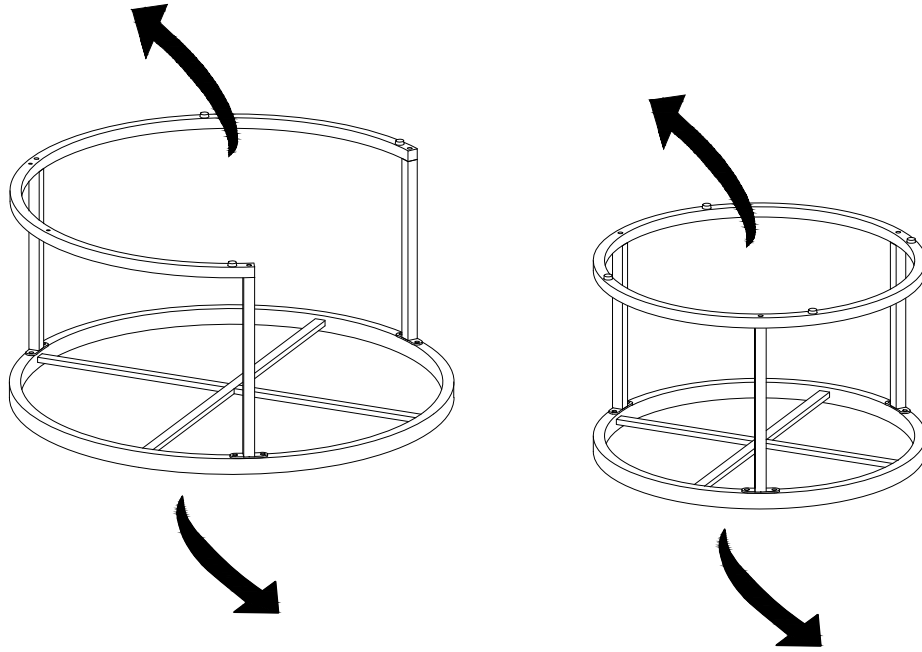
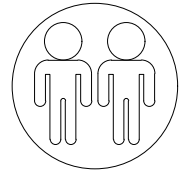
2



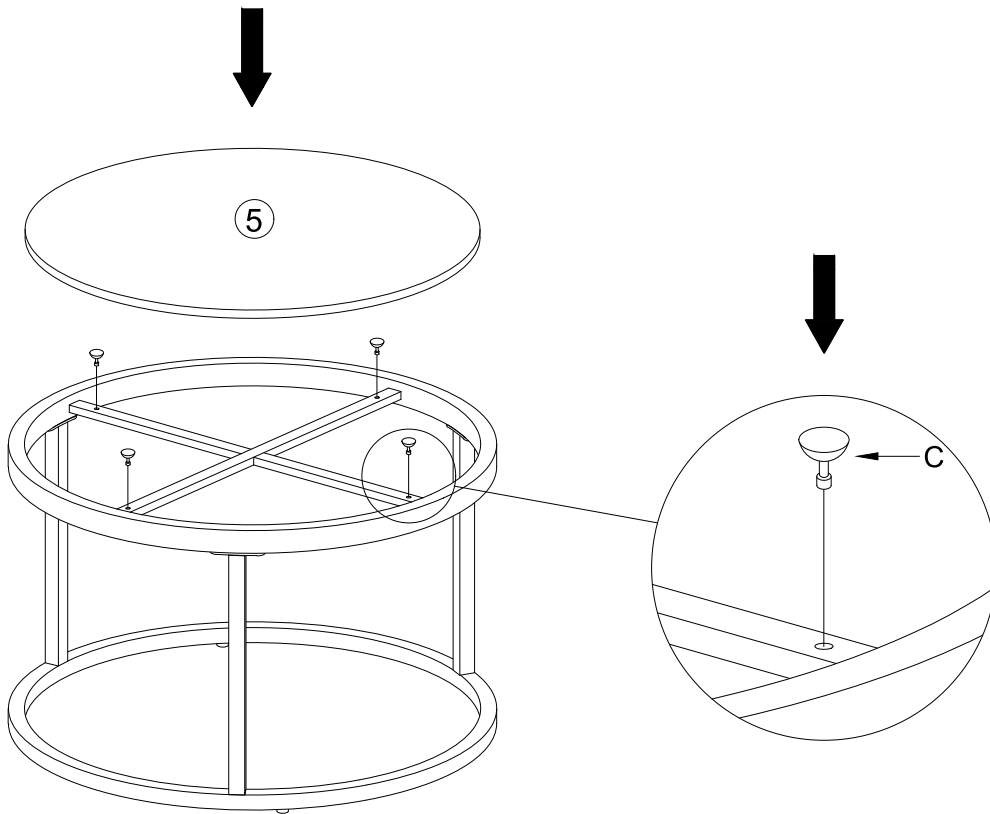
| | |
|---|-------|
| A | M6x12 |
| | 6x |
| B | M6x35 |
| | 3x |
| D | 4MM |
| | 1x |
| E | Ø16 |
| | 5x |
| | |



II.

3



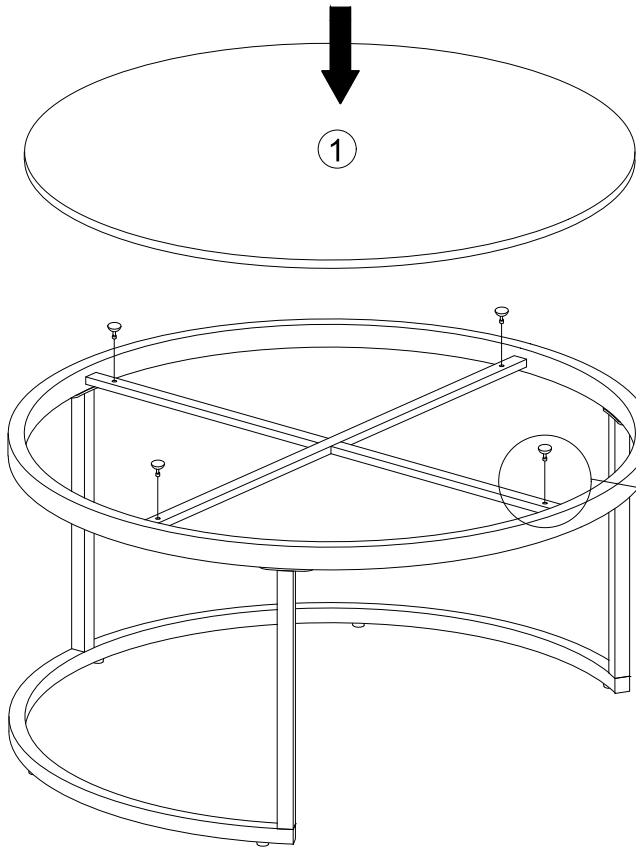
4



| | | |
|---|---|-----|
| C |  | Ø20 |
| | | 4x |
|  | | |



5



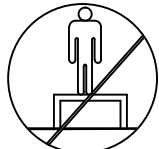
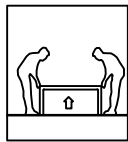
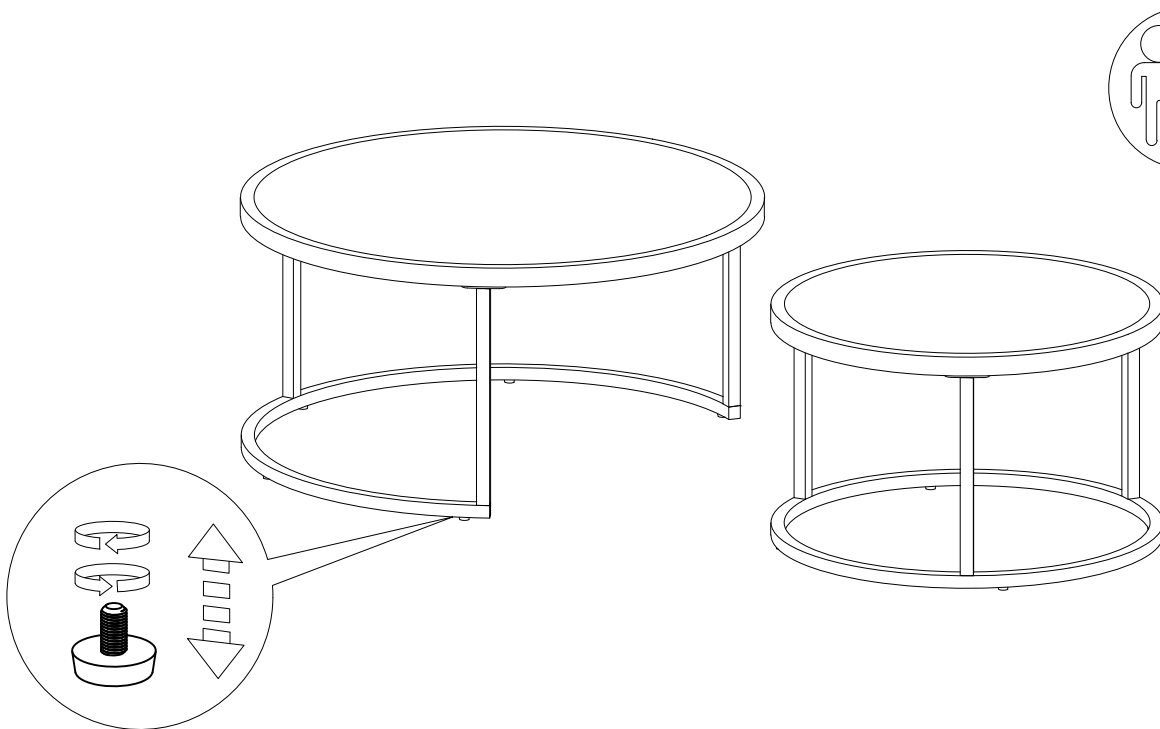
C

Ø20

4x

100%

6



LE TRI
+ FACILE



Séparez les éléments avant de trier