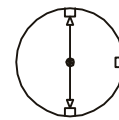


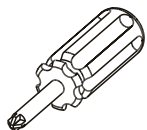
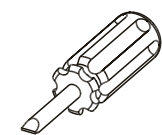
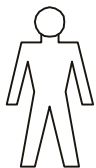
Regal ARTLINE

00030113/01

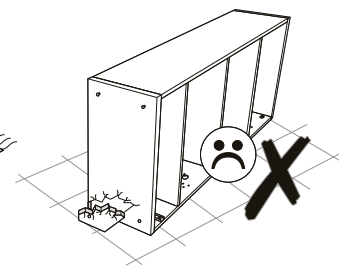
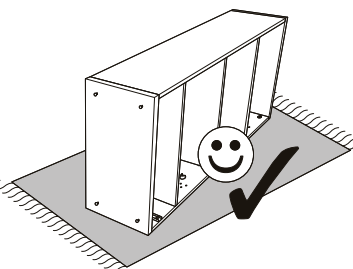
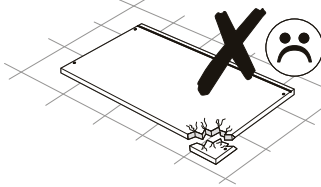
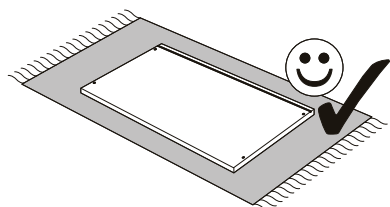
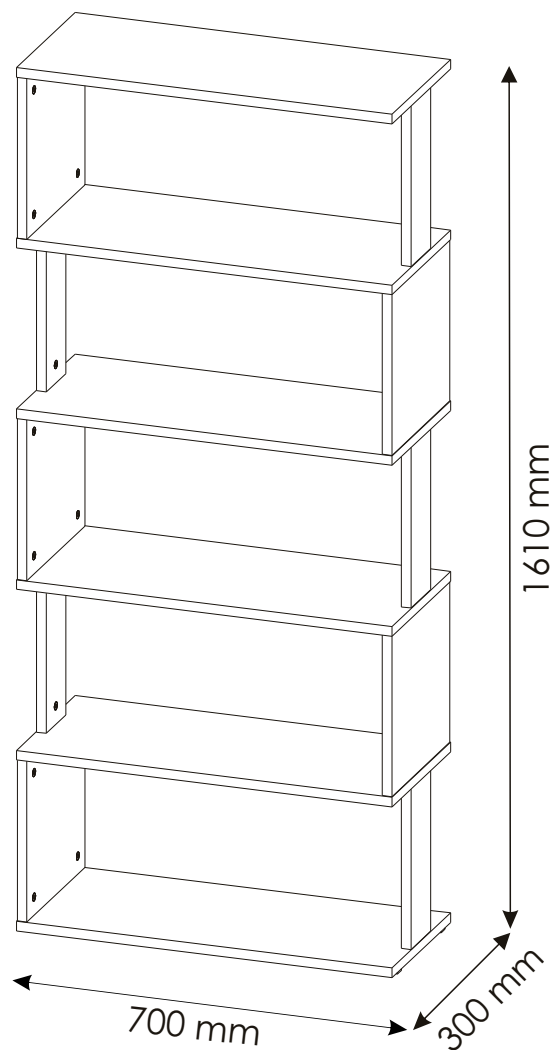
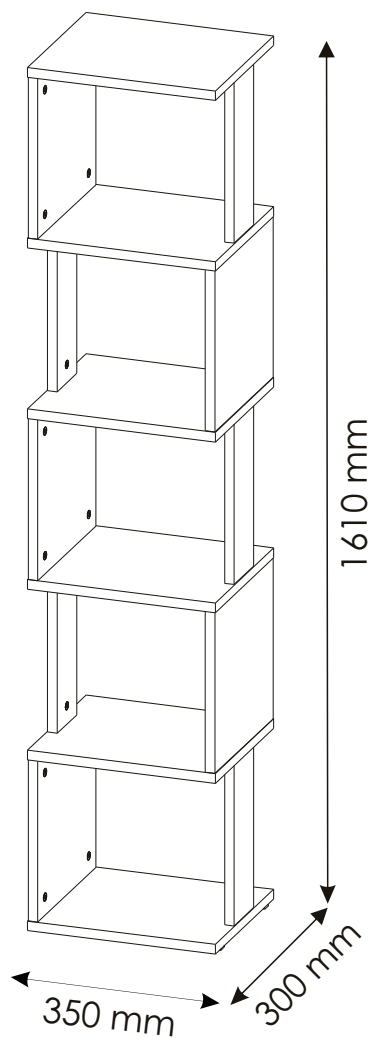
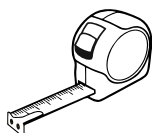
00030113/02






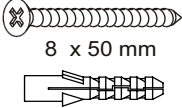
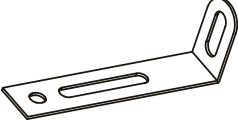



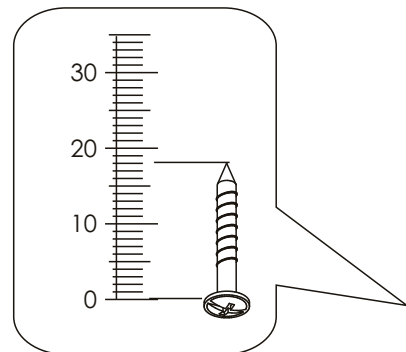
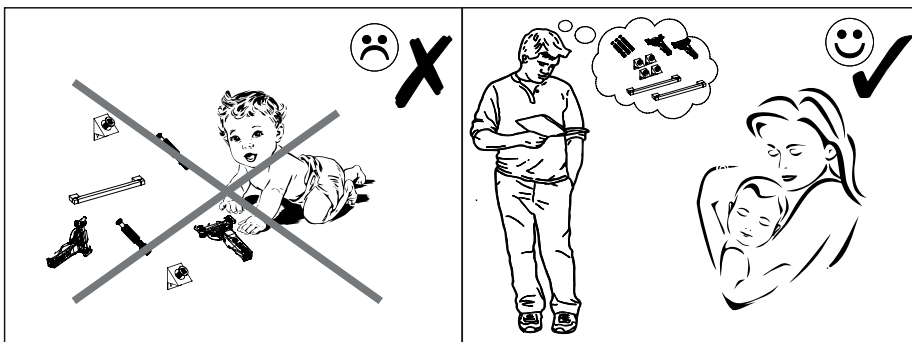
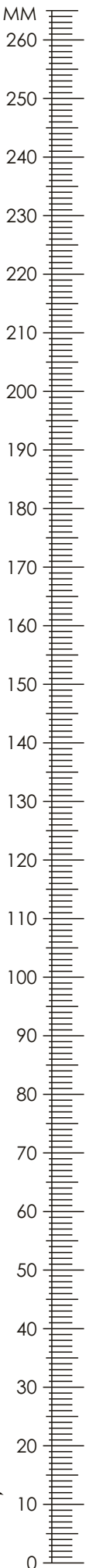
30
MIN




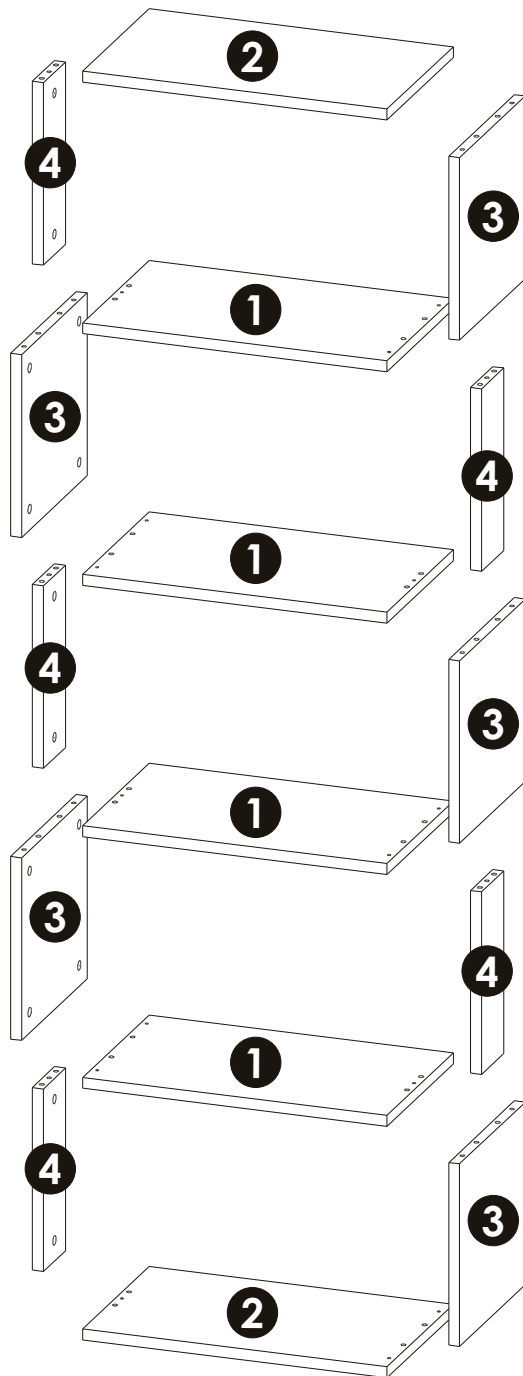
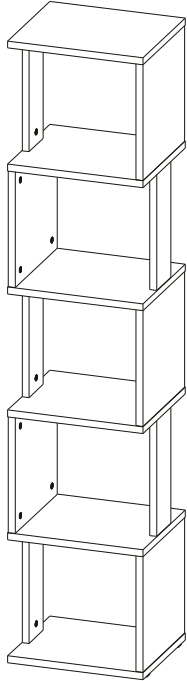
Ø8




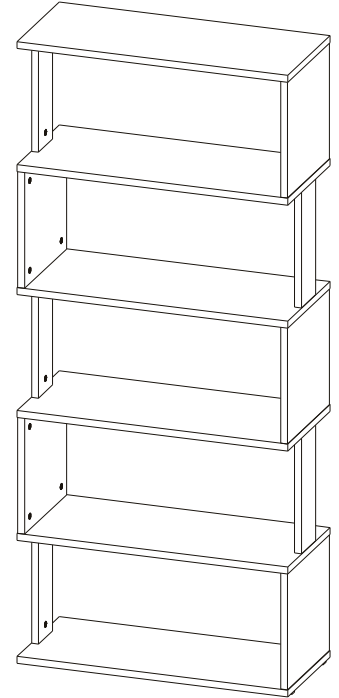
A0 8 x 30mm  x40	C0  x30	C1 18mm  x30
C2  x30	D8 3,5 x 13 mm  x2	E0 5 x 50 mm 8 x 50 mm  x1
P0  x1	U2  x4	LOGO... x1

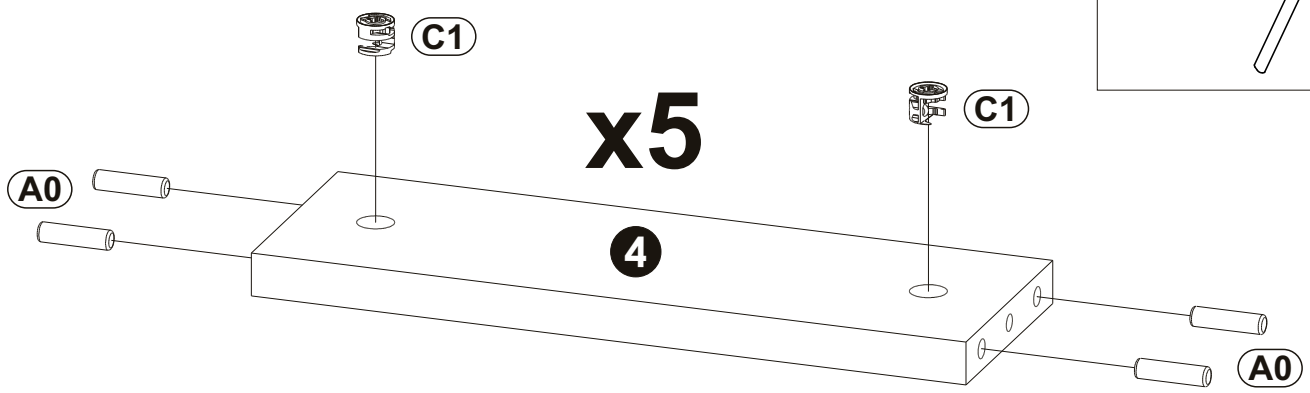
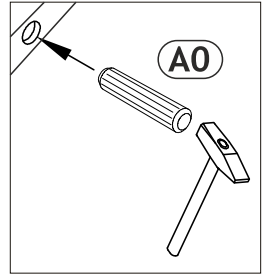
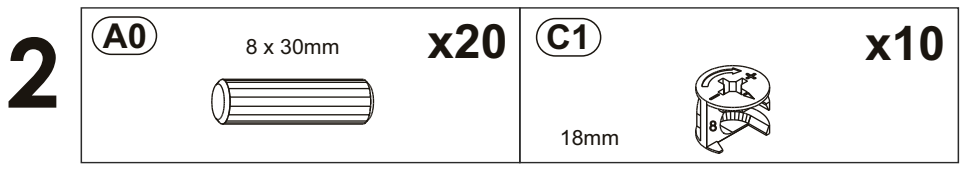
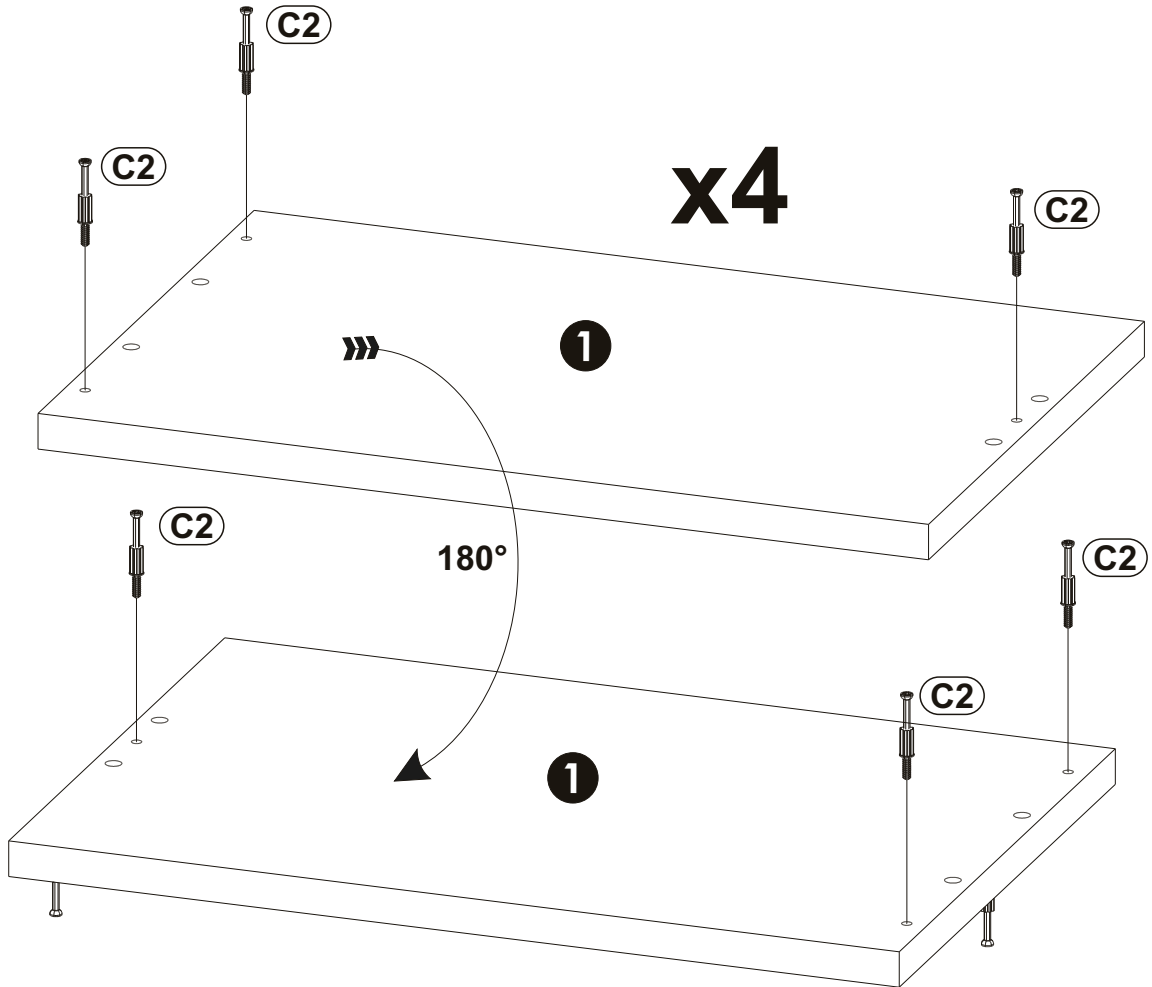
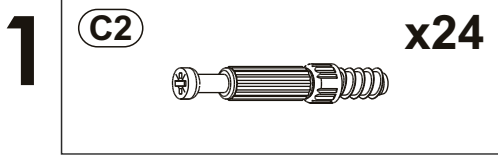
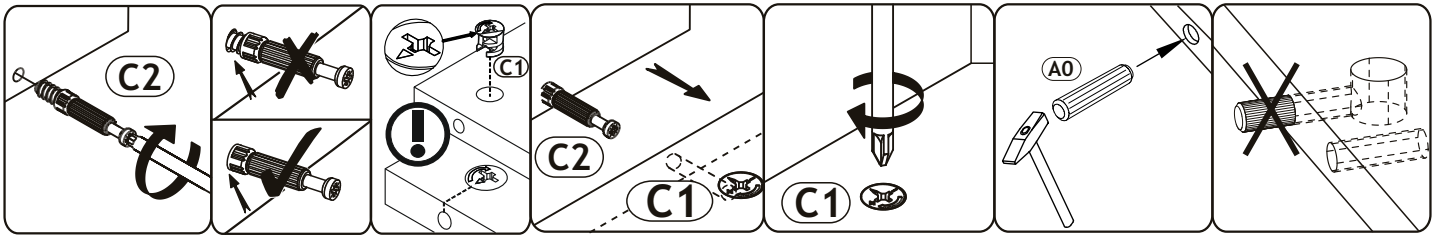


1	350	300	18	x4	1/1
2	350	300	18	x2	1/1
3	300	297	18	x5	1/1
4	300	100	18	x5	1/1
					1/1

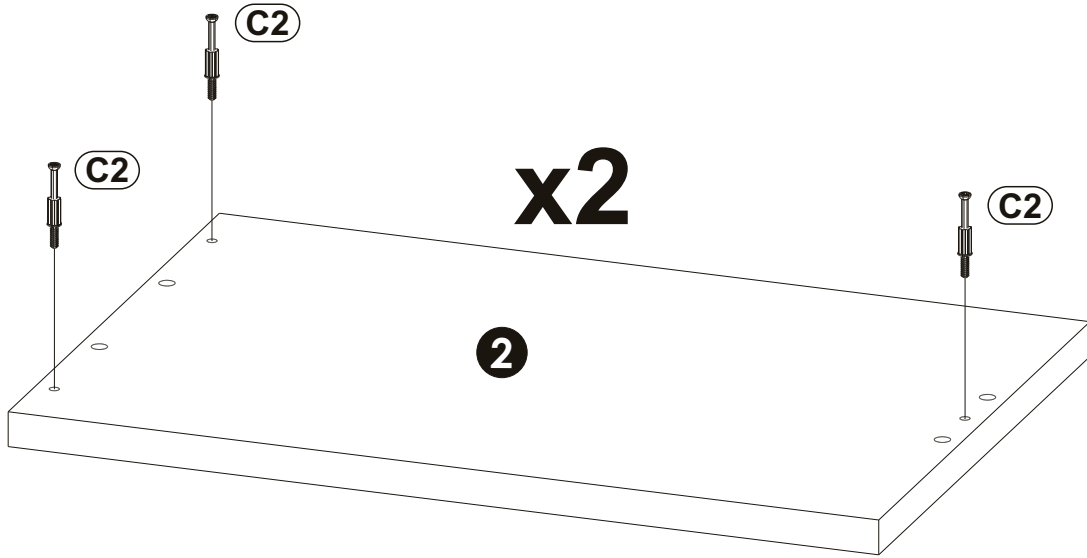
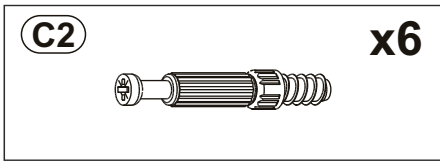


1	700	300	18	x4	1/1
2	700	300	18	x2	1/1
3	300	297	18	x5	1/1
4	300	100	18	x5	1/1
					1/1

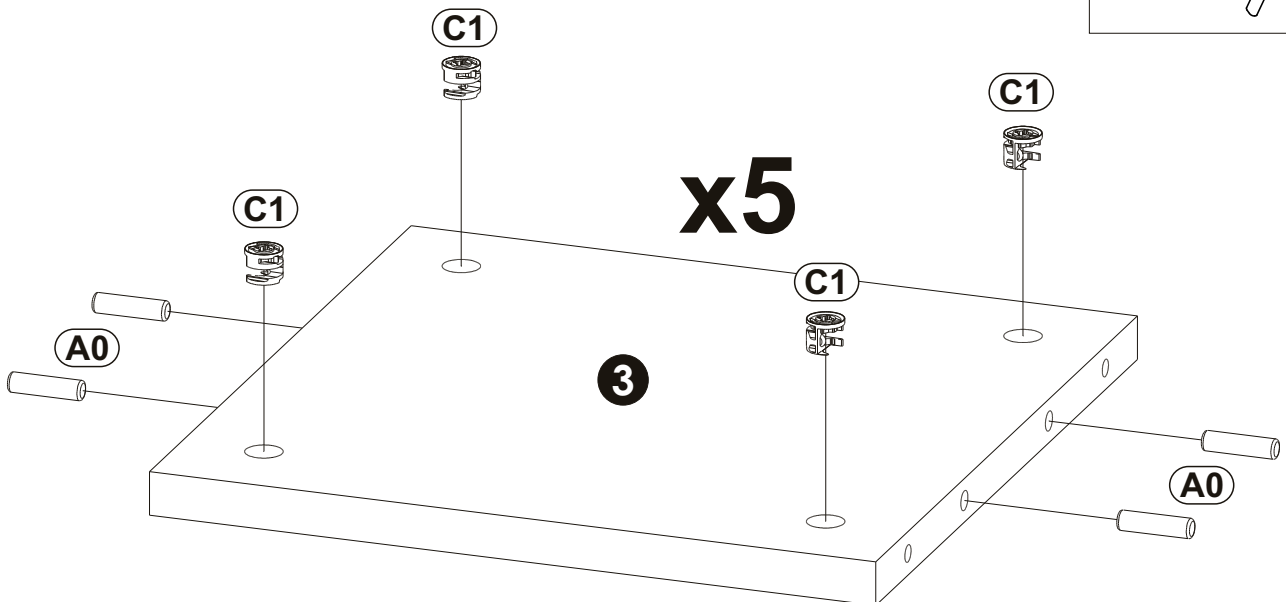
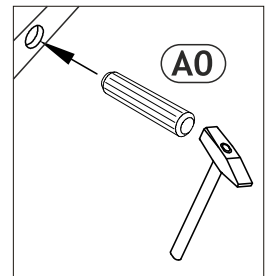
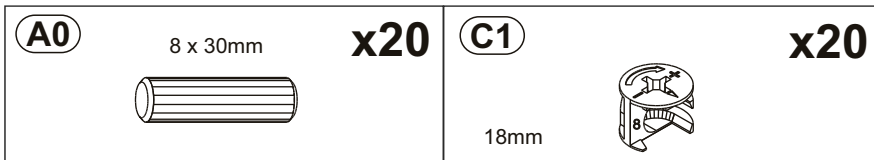


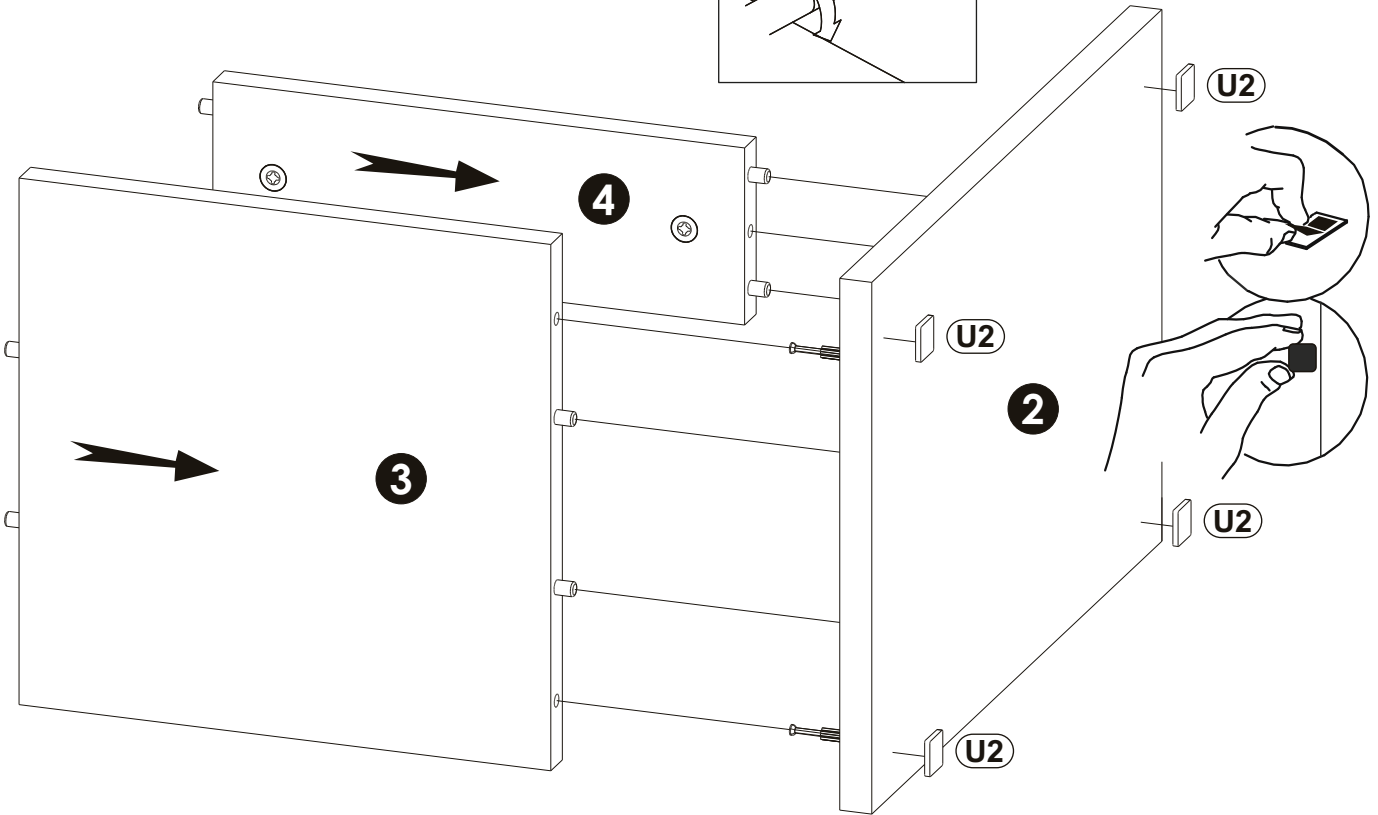
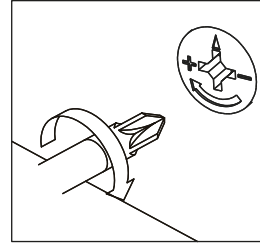
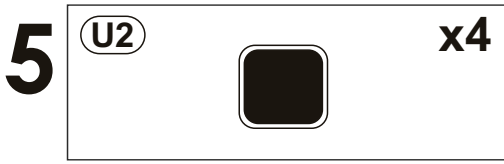


3

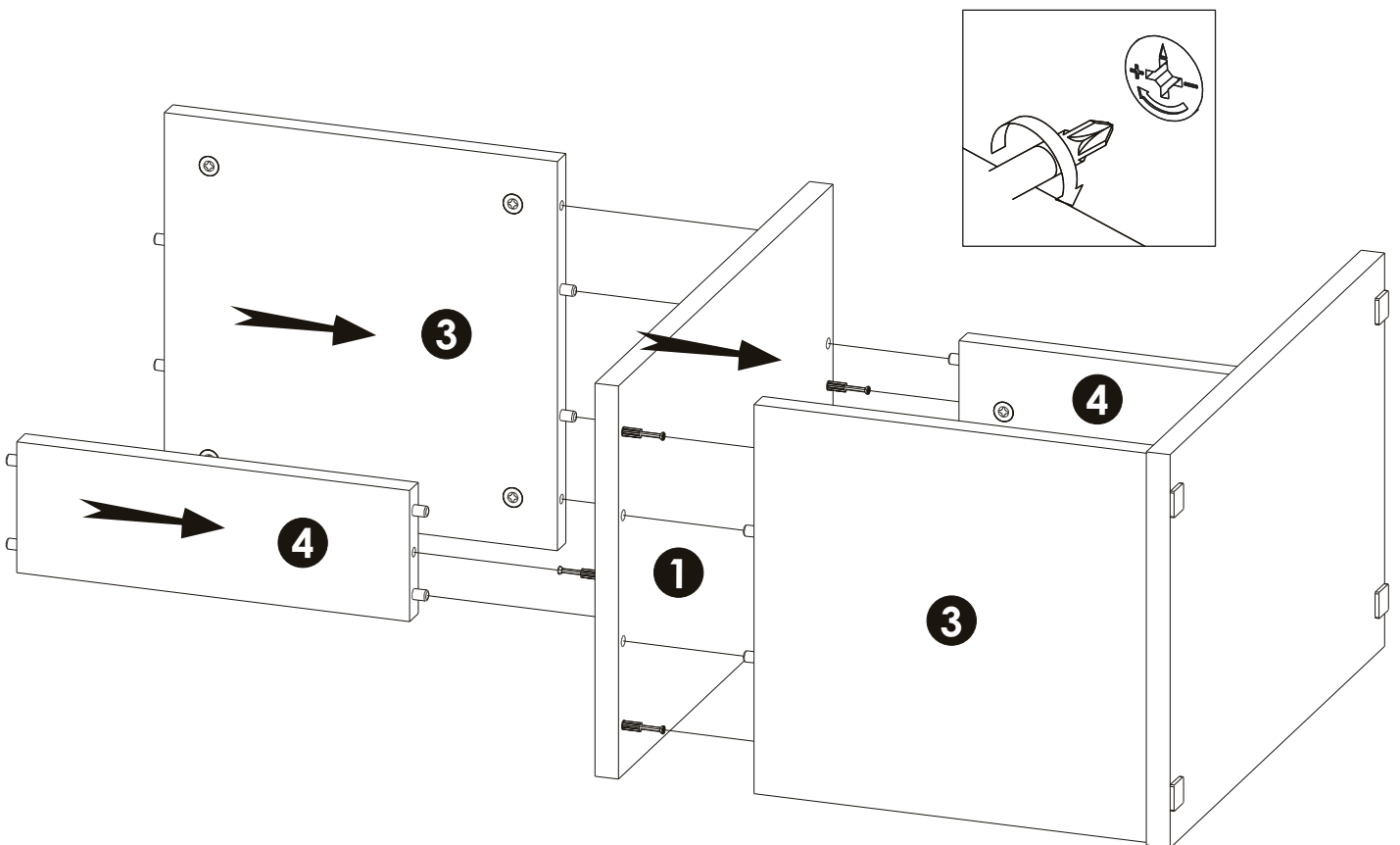


4

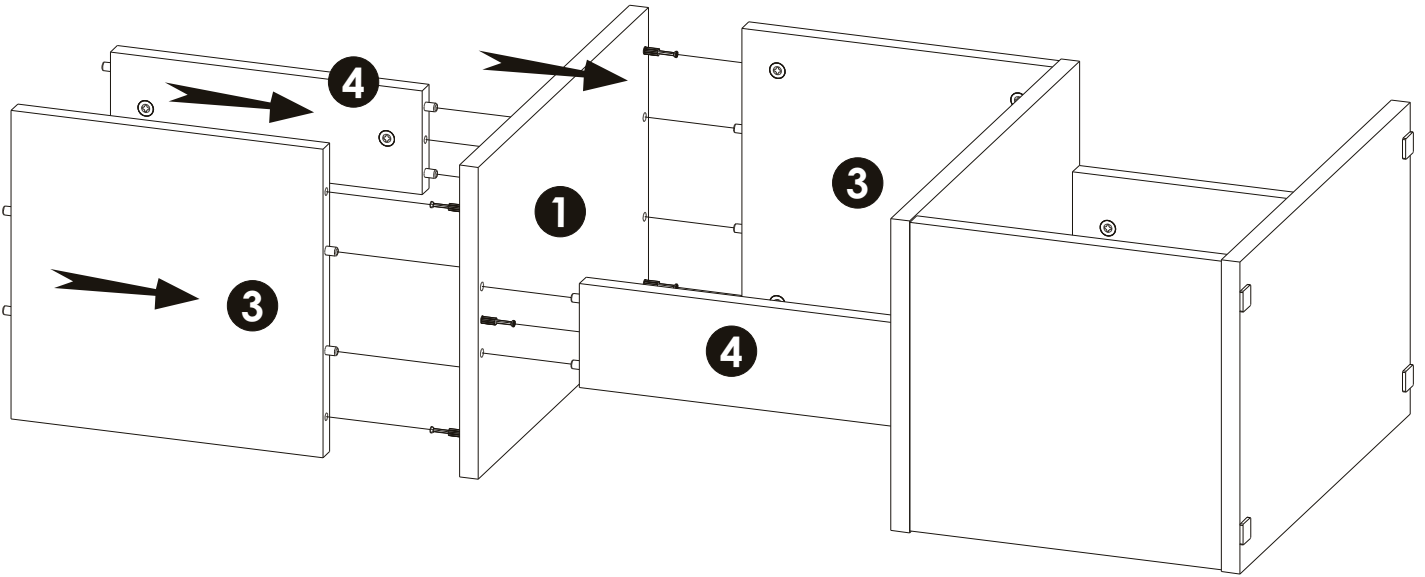
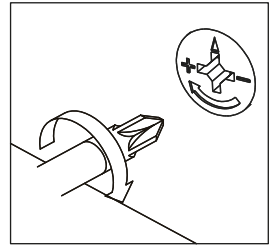




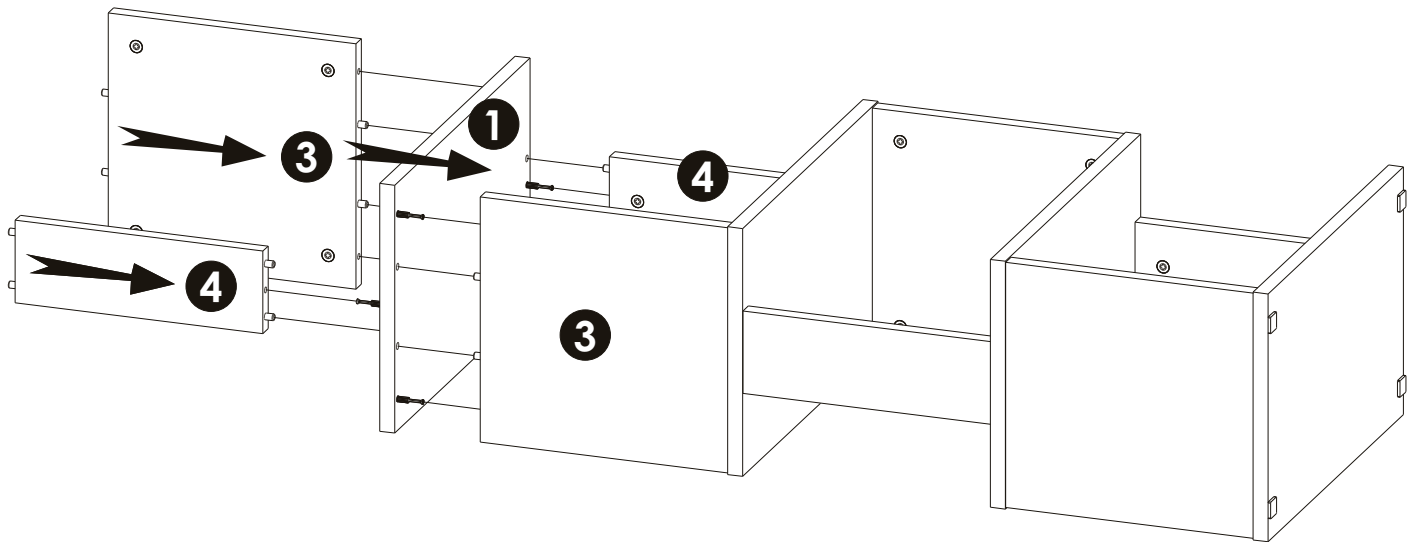
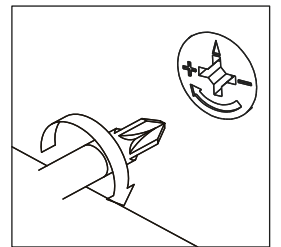
6



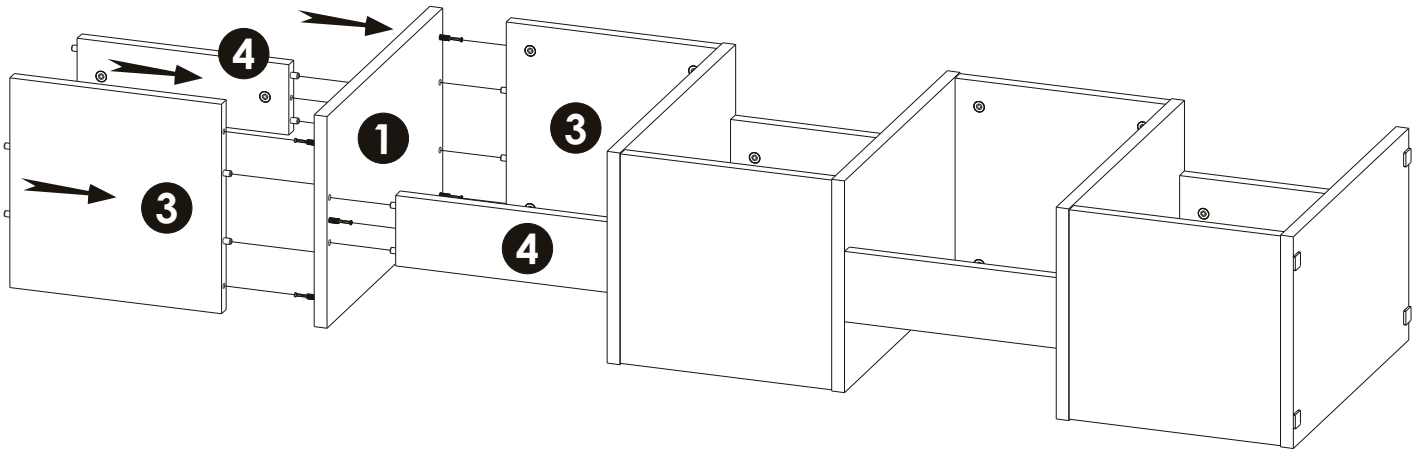
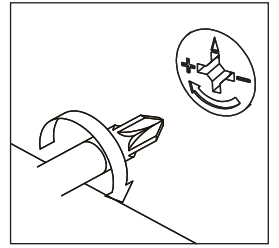
7



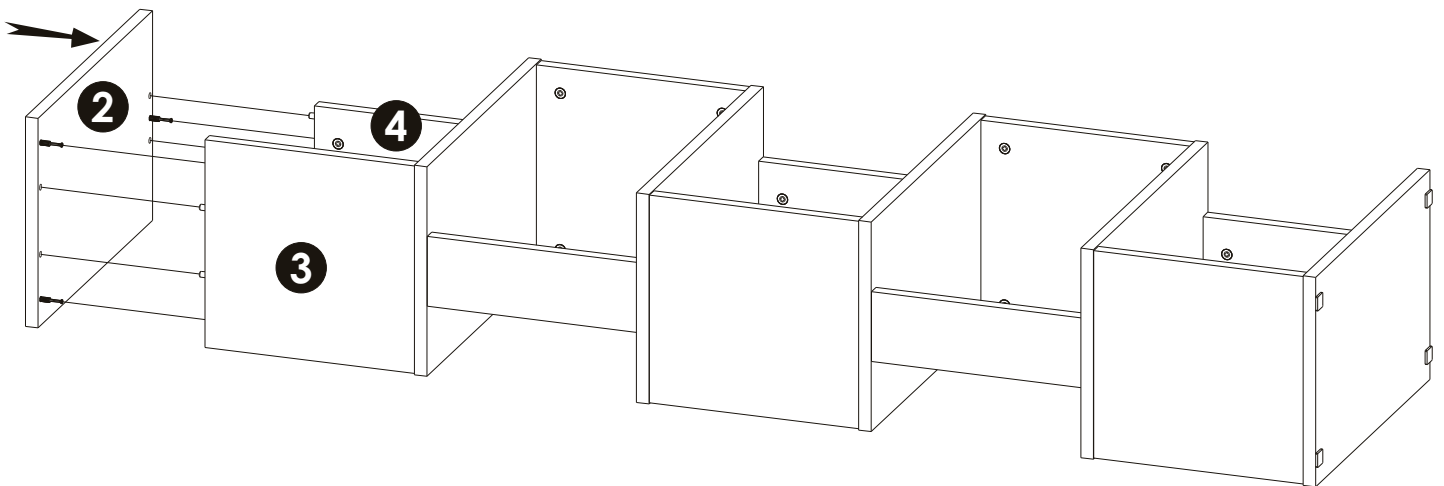
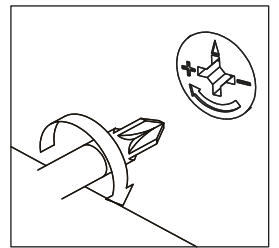
8




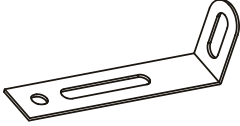
9



10



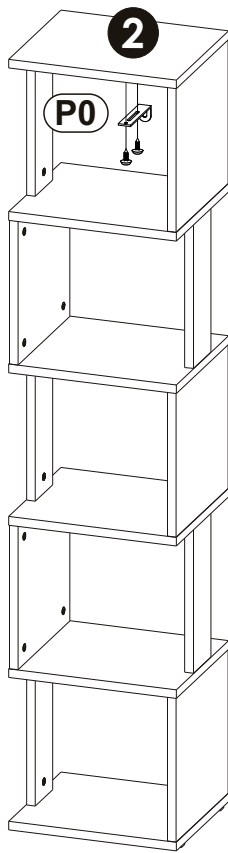
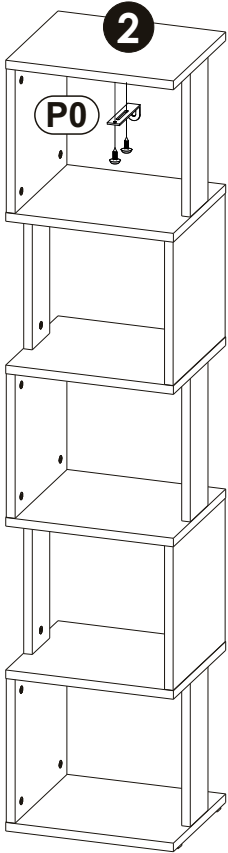
11

D8 3,5 x 13 mm 	x2	P0 	x1
---	-----------	---	-----------

Variant

1

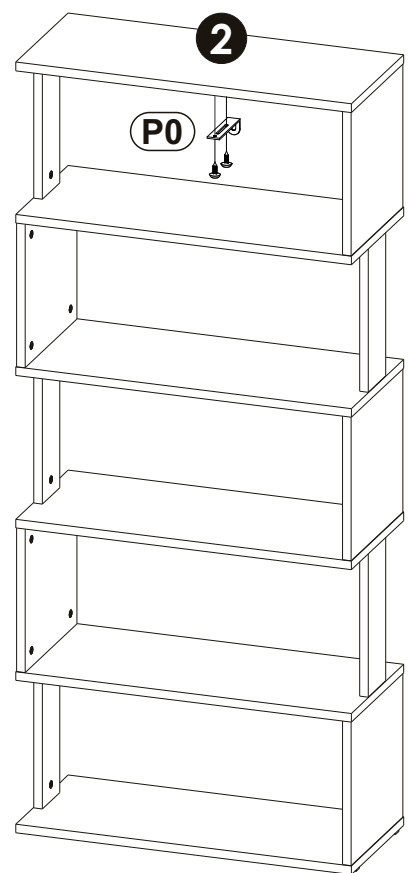
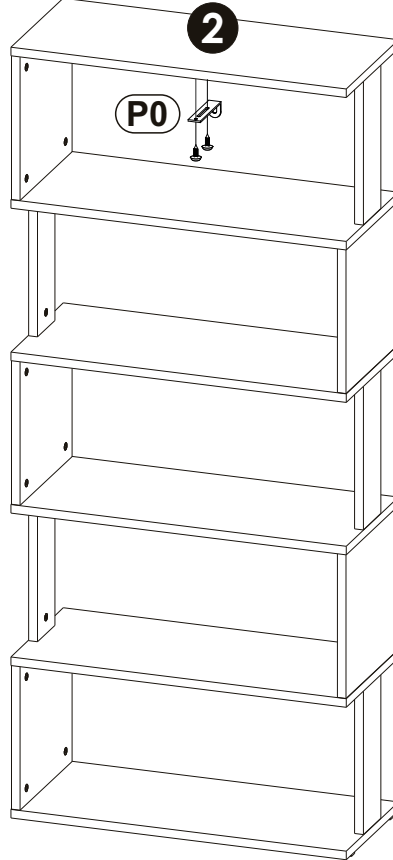
2



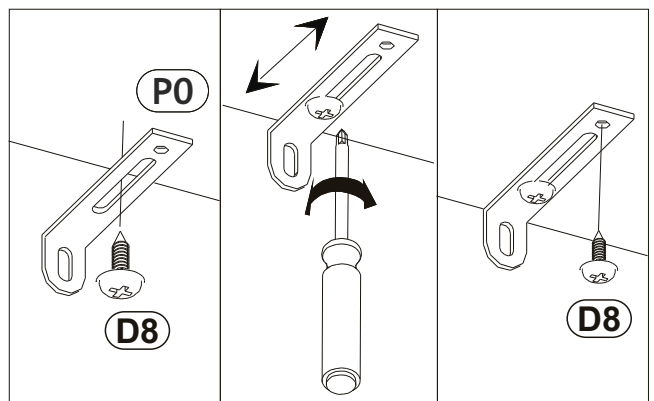
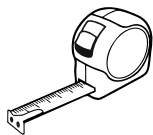
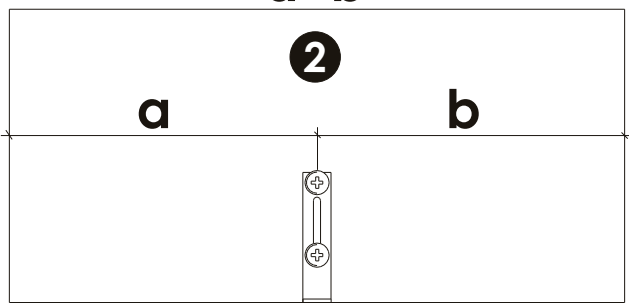
Variant

1

2

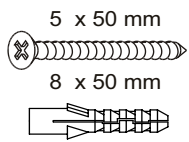


$a=b$

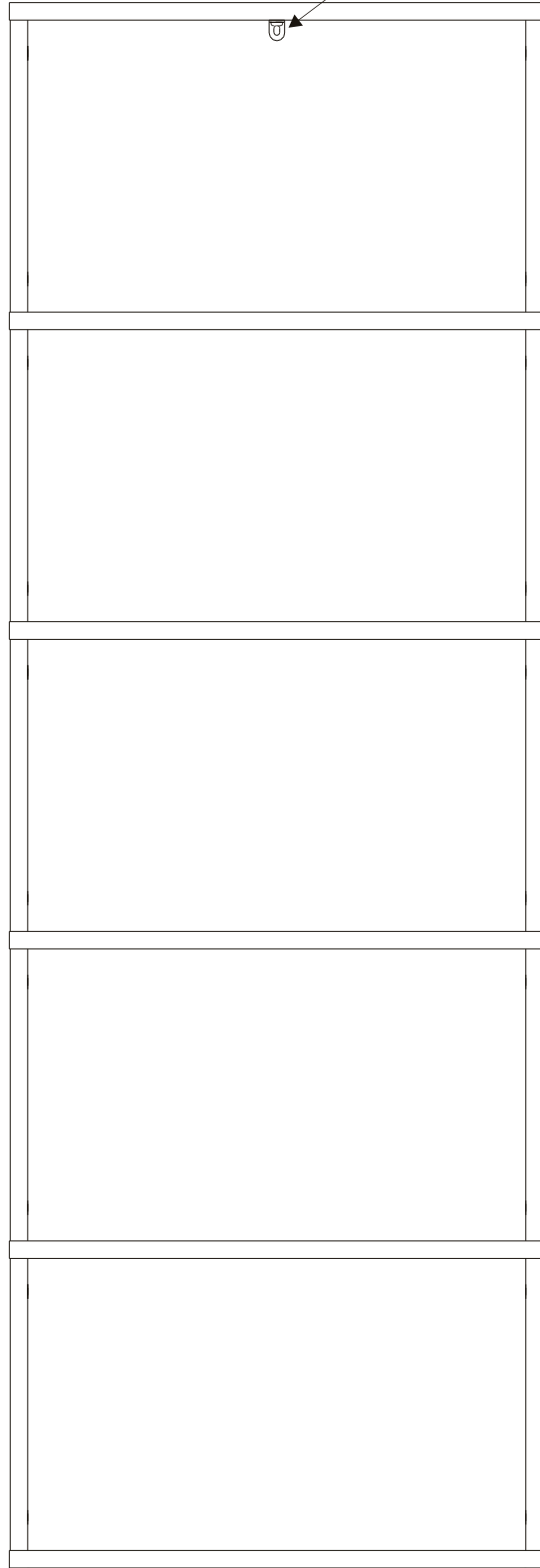
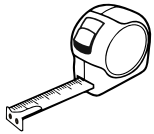
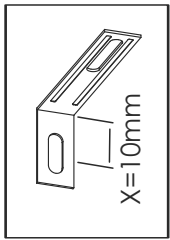
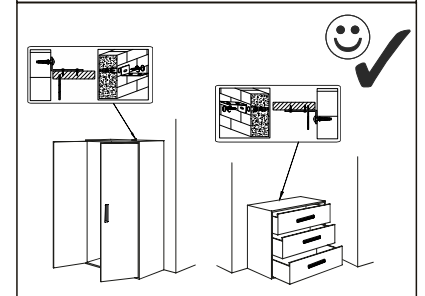
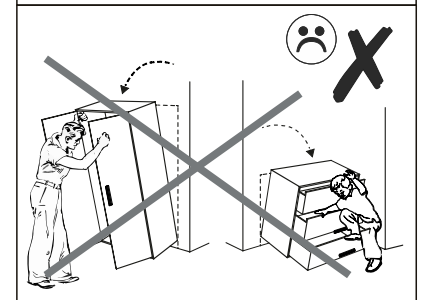
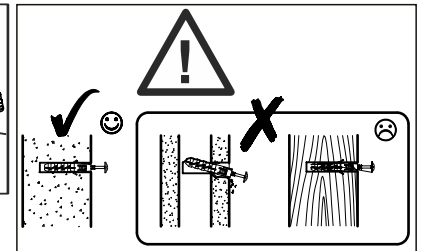
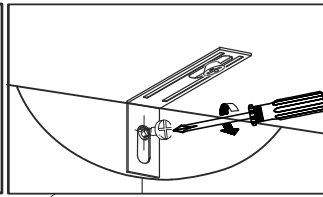
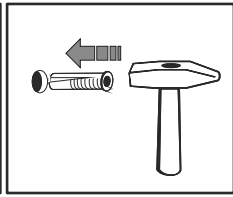
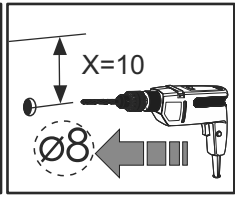
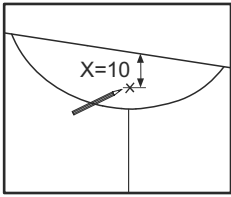


12


E0



x1



13

C0		x30	LOGO...	x1
-----------	---	------------	----------------	-----------

