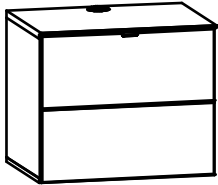
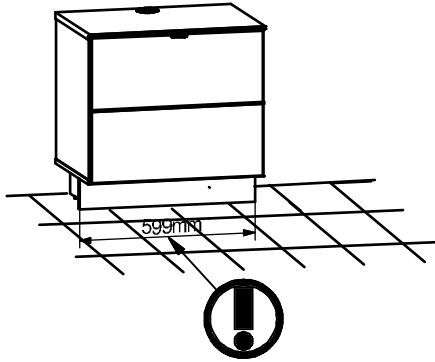


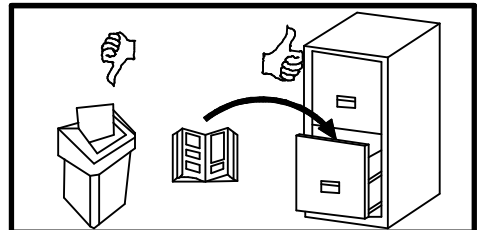
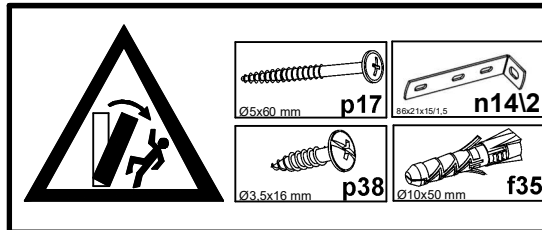
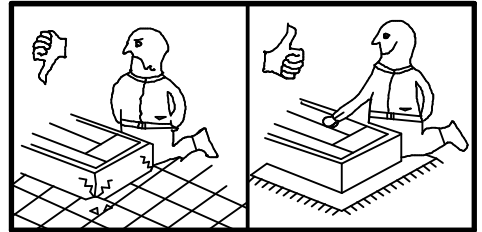
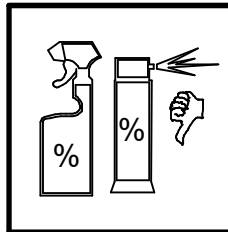
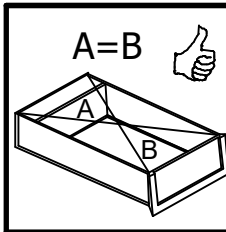
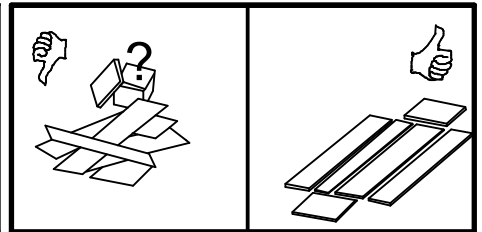
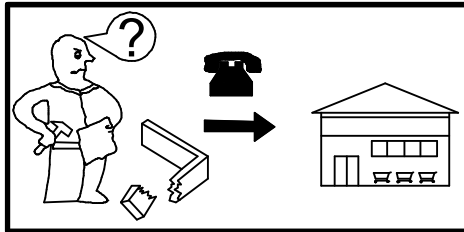
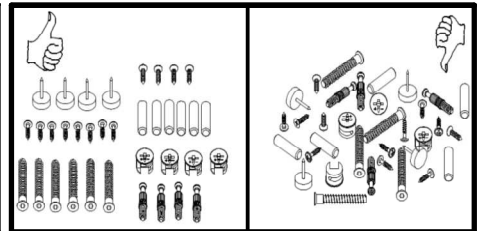
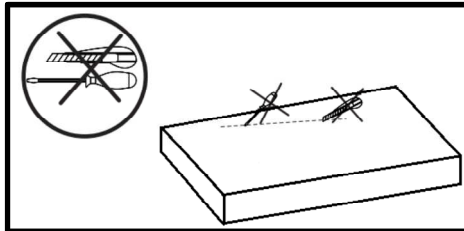
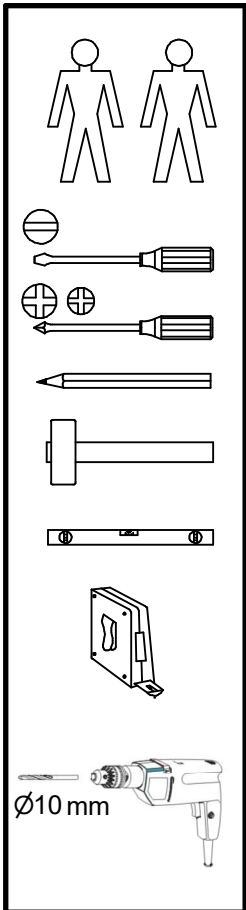
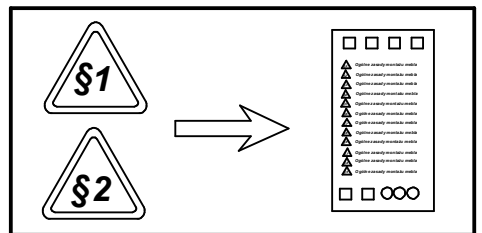
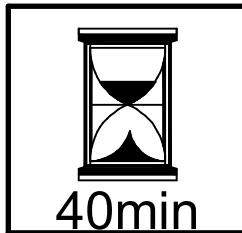
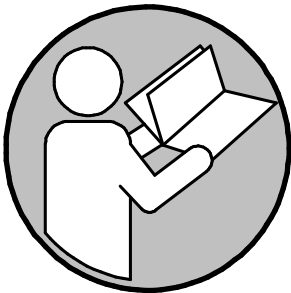
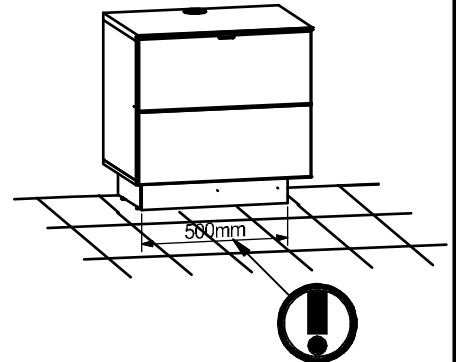
A

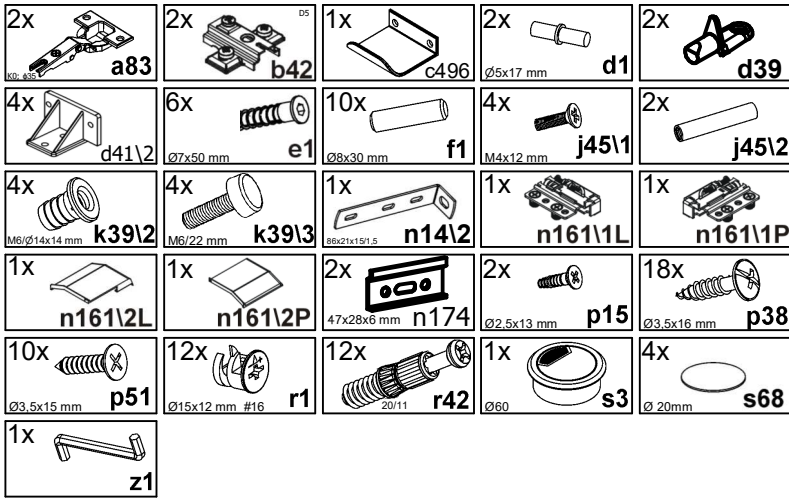


B



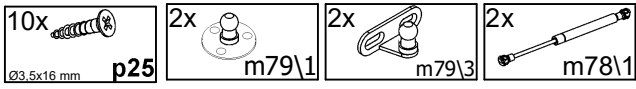
C



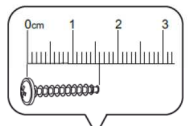
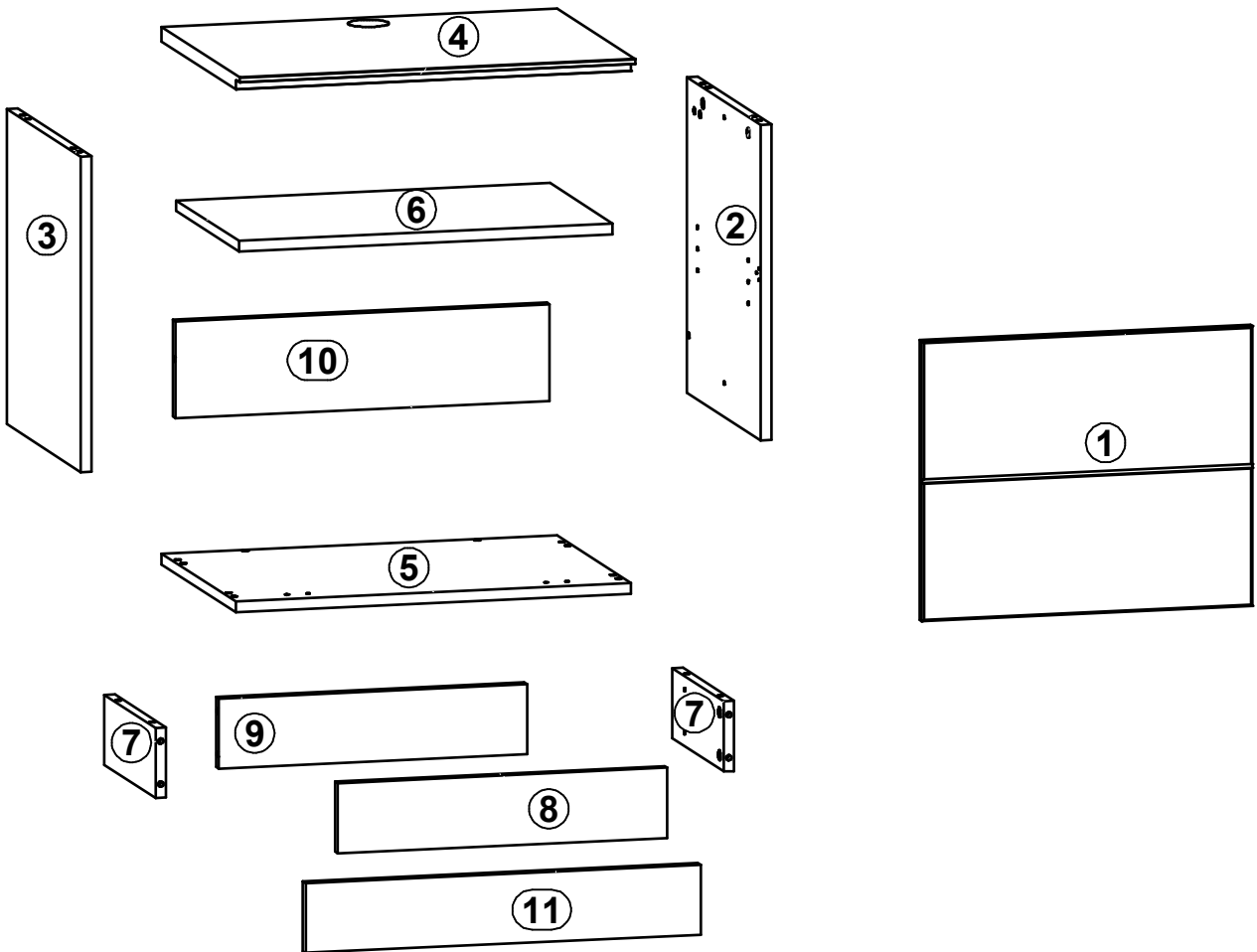
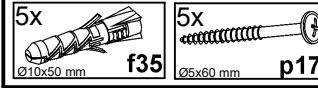


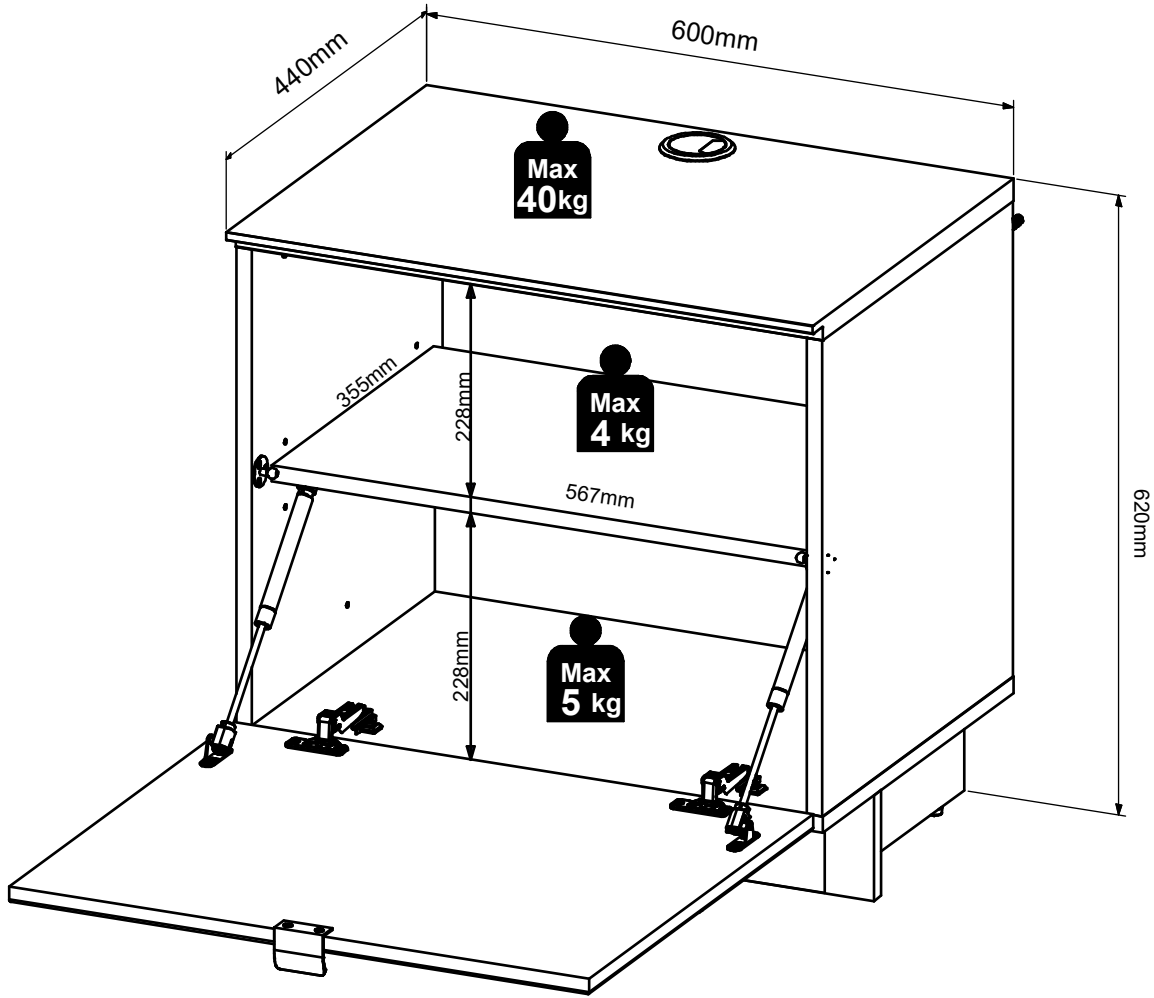
A	B1	B2	C1	C2	C3	D
1	S592-0006	-4	593	492	16	1/1
2	S592-1008	-4	469	418	16	1/1
3	S592-1009	-5	469	418	16	1/1
4	S592-2006	-3	600	440	22	1/1
5	S592-2007	-4	600	418	16	1/1
6	S592-3012	-1	567	355	16	1/1
7	S592-4003	-3	290	104	16	1/1
8	S592-4010	-4	500	104	16	1/1
9	S592-4011	-3	467	104	16	1/1
10	S592-4016	-	567	144	16	1/1
11	S592-4019	-	599	104	16	1/1





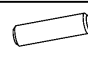
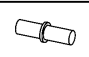



qf31

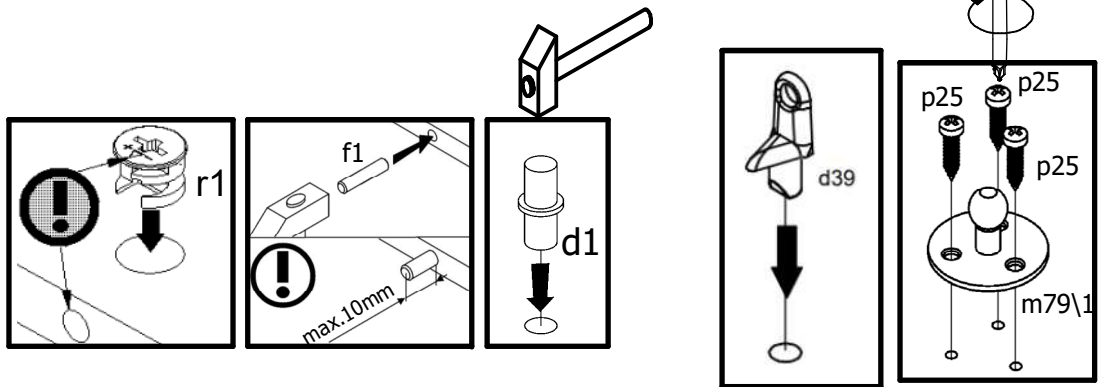
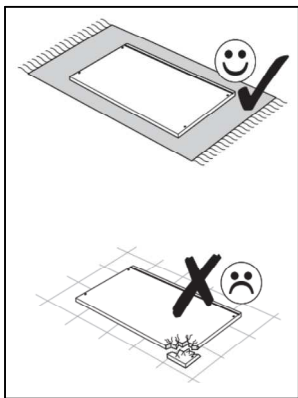
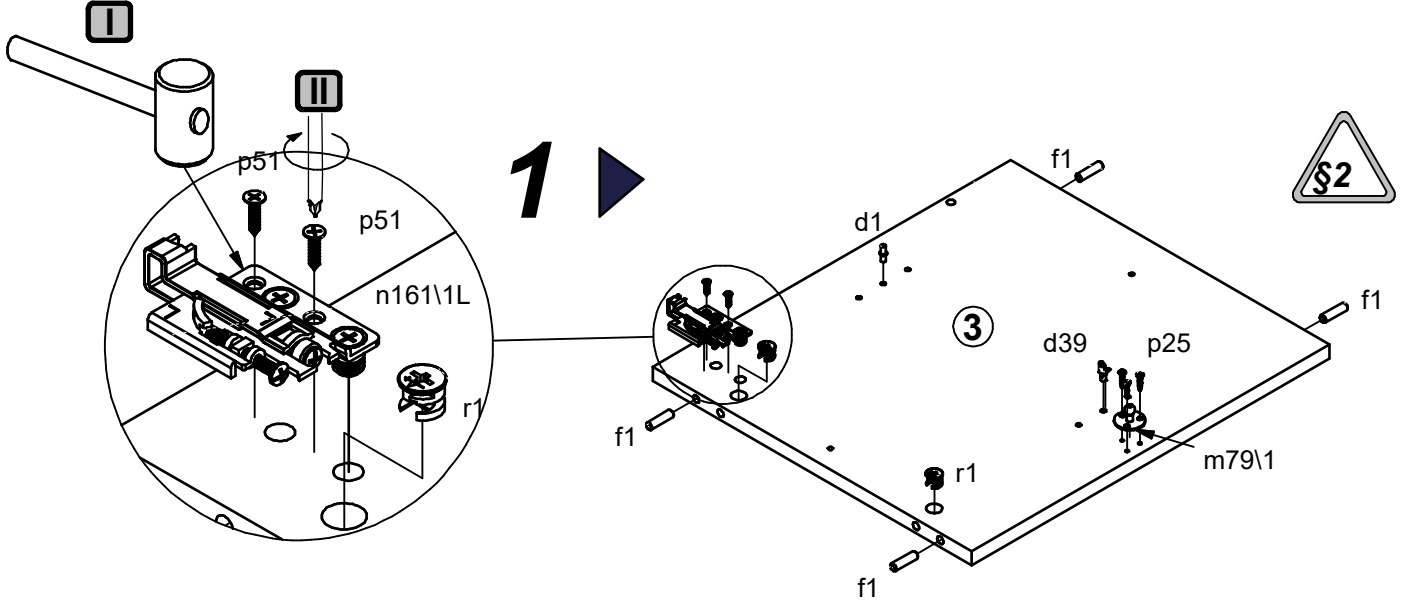


q33

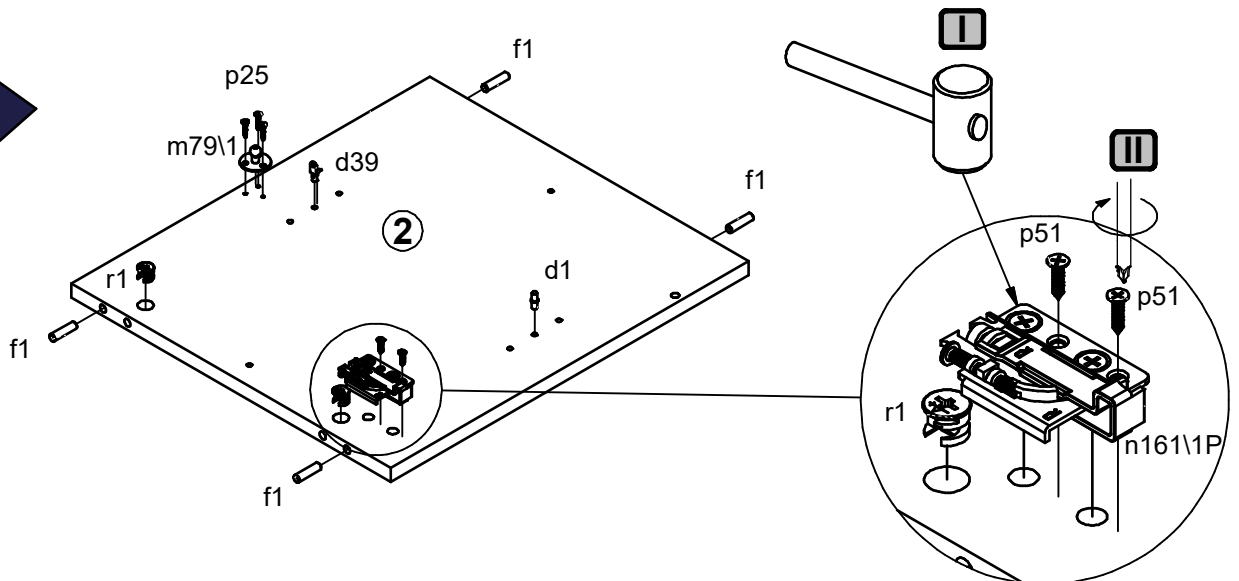


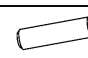

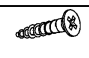
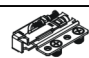


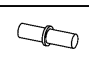

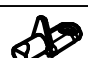


1x  m79\1	3x  p25 Ø3.5x16 mm	2x  p51 Ø3.5x15 mm	1x  n161\1L	4x  f1 Ø8x30 mm	1x  d1 Ø5x17 mm	2x  r1 Ø15x12 mm #16	1x  p15 Ø2.5x13 mm	1x  d39
--	--	--	--	---	--	--	--	--



2



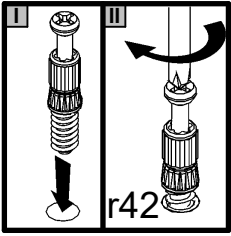
4x  f1 Ø8x30 mm	1x  m79\1	3x  p25 Ø3.5x16 mm	1x  n161\1P	2x  p51 Ø3.5x15 mm	2x  r1 Ø15x12 mm #16	1x  d1 Ø5x17 mm	1x  p15 Ø2.5x13 mm	1x  d39
---	--	--	--	--	---	---	--	--

A

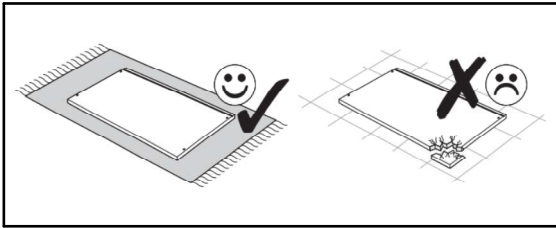
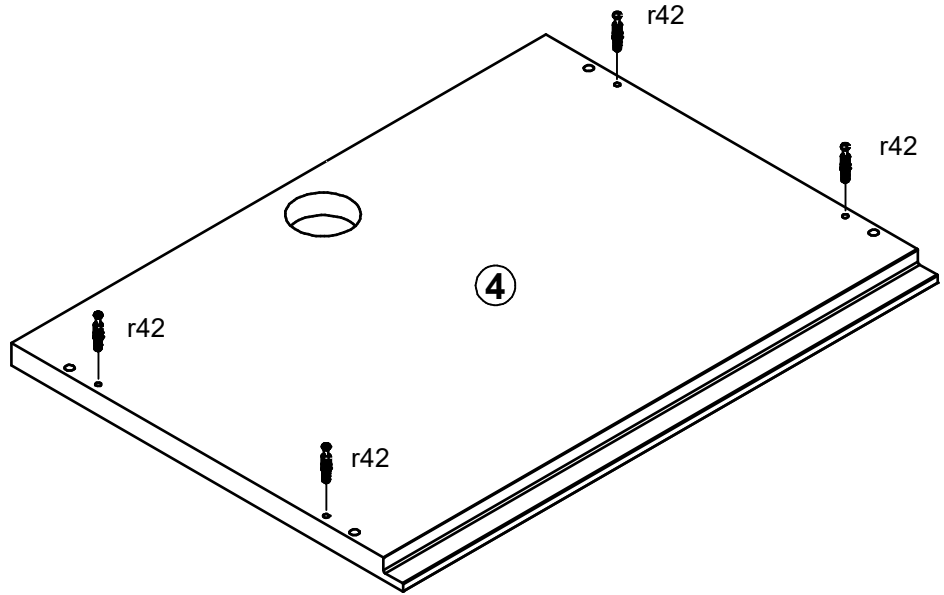
S592-RTV1B

10Q9--31

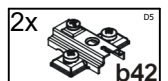
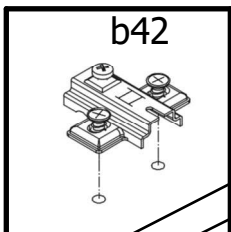
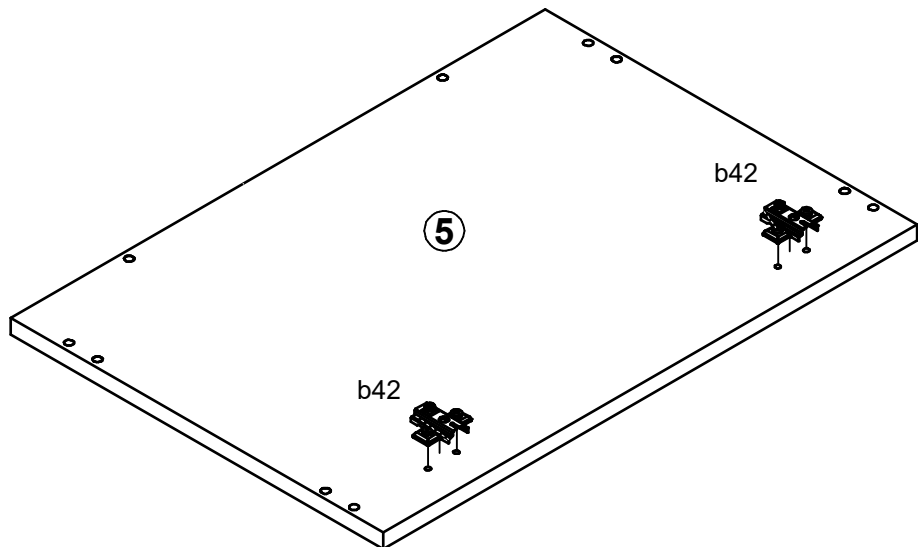
5 / 16

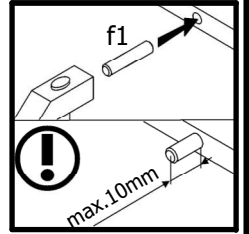
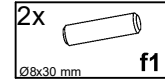


3 ▶

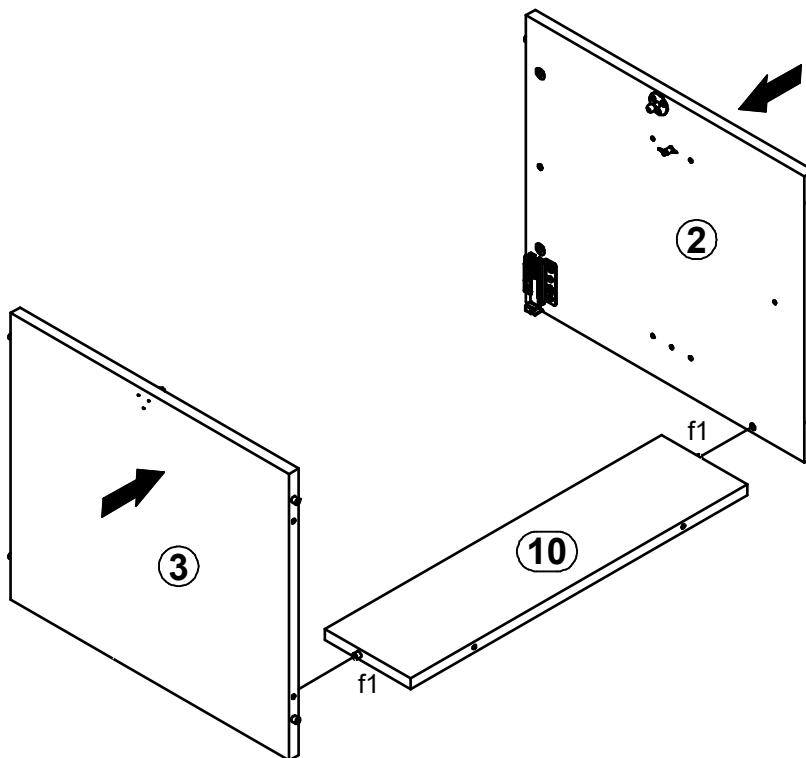
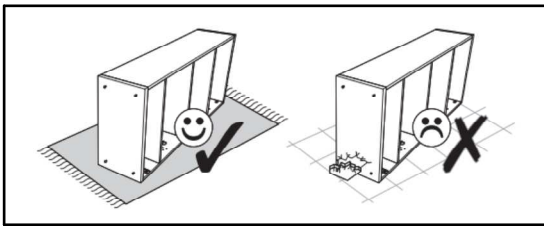
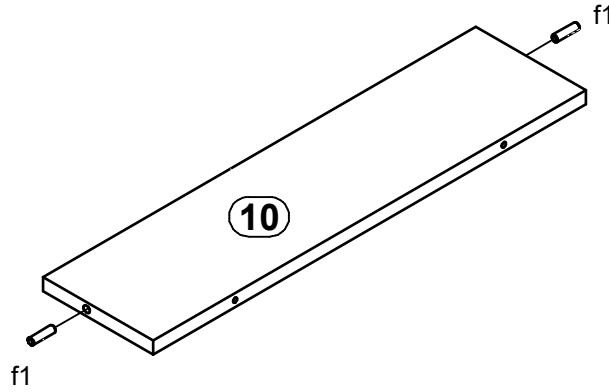


4 ▶

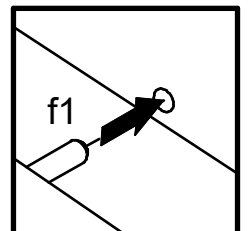




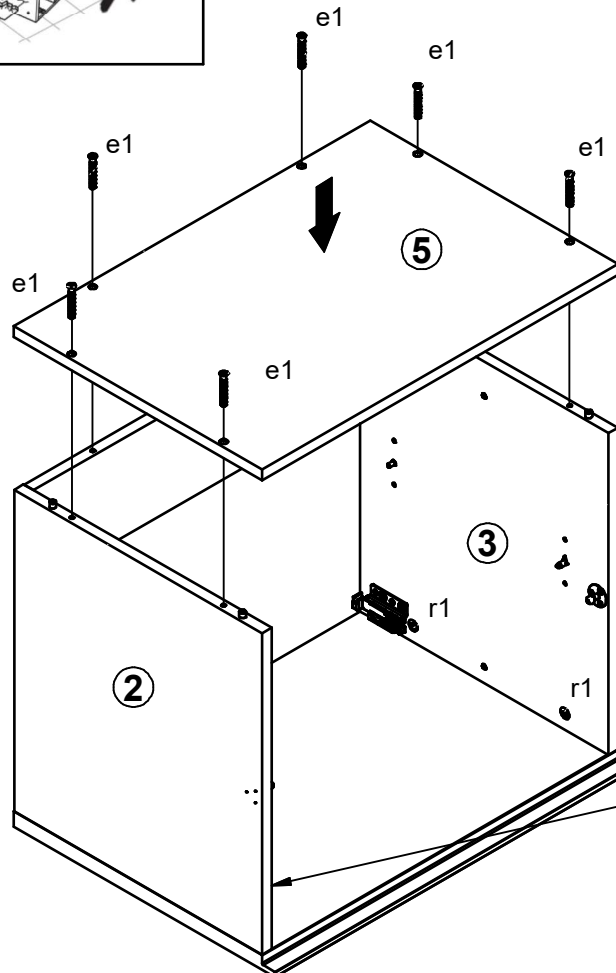
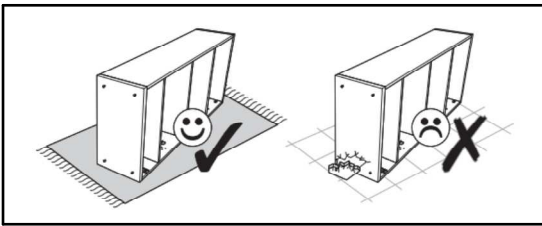
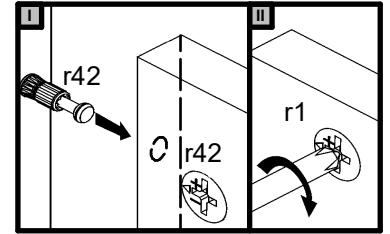
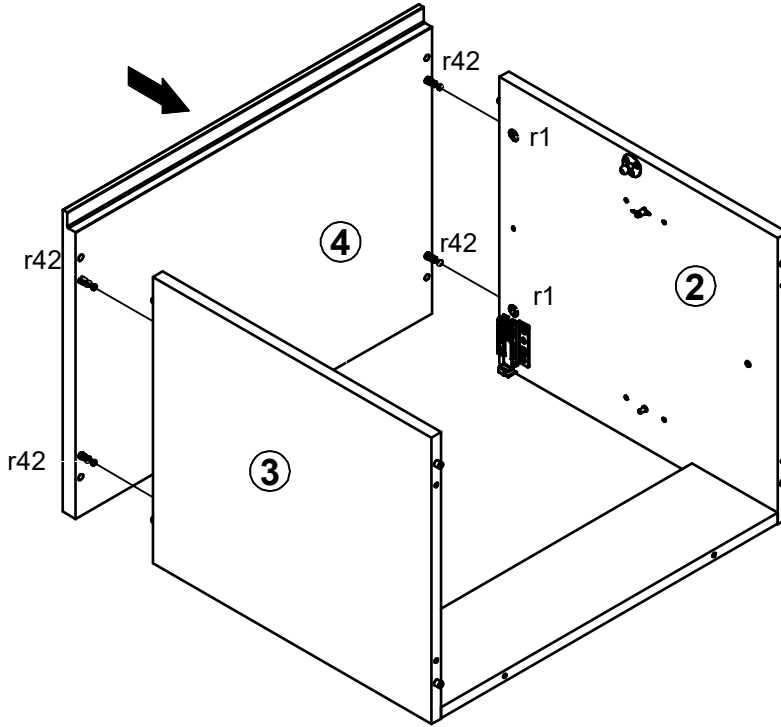
5 ▶



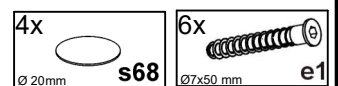
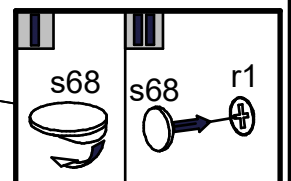
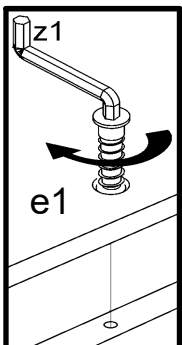
◀ **6**

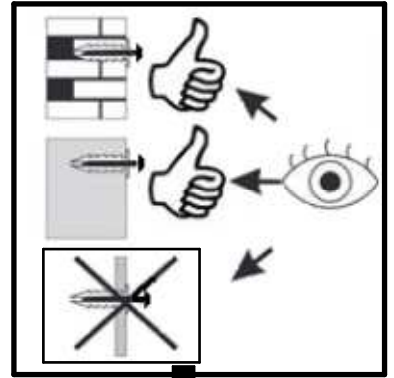
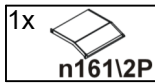
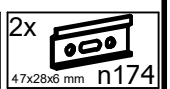
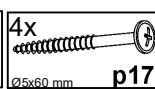
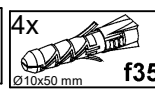
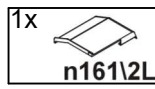
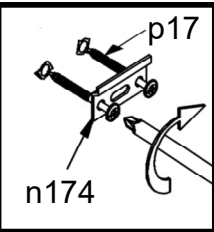
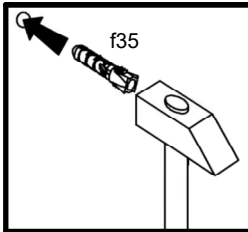
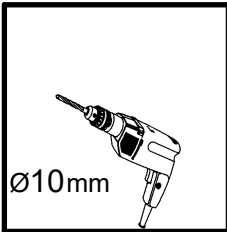


7



8

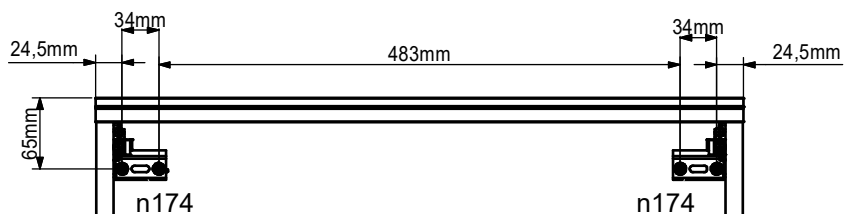
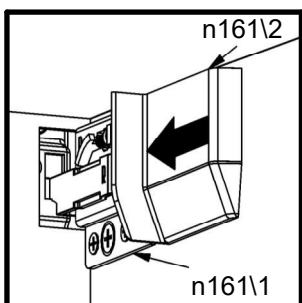
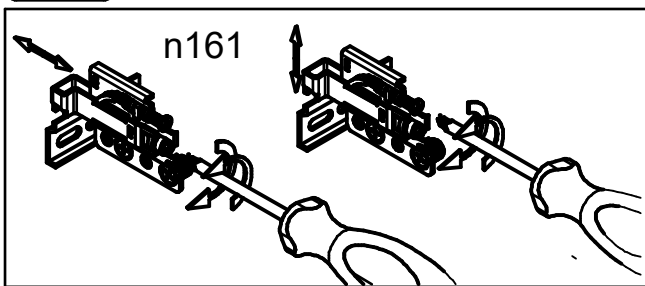
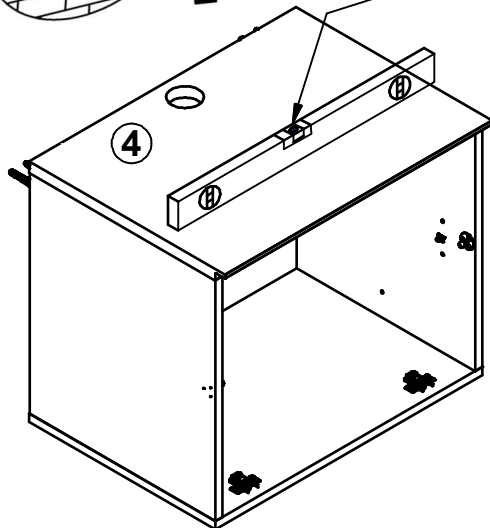
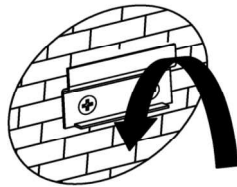
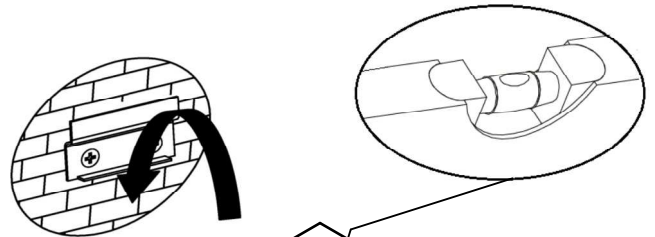
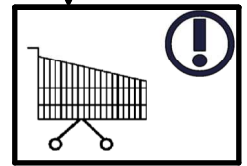
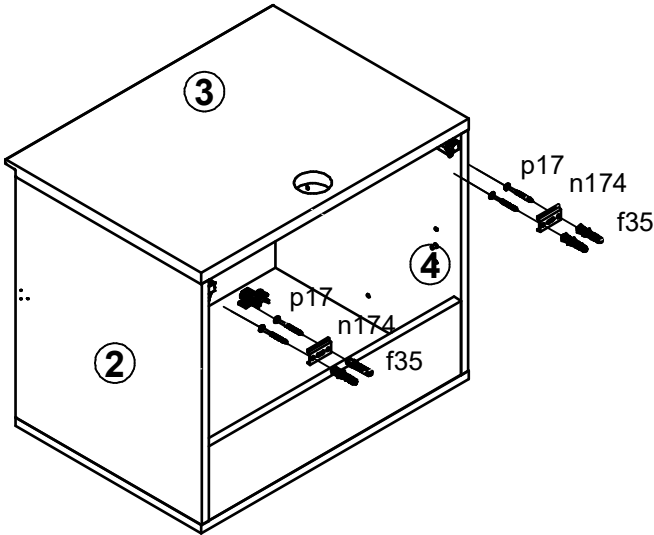


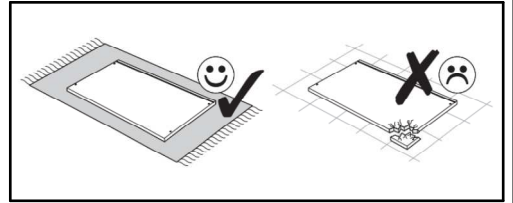
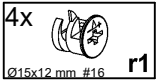
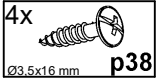
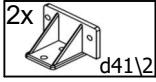


9



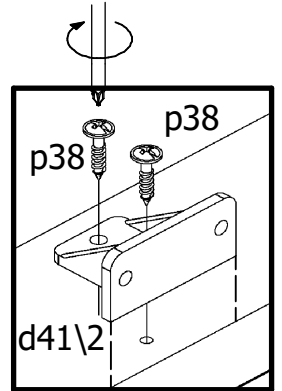
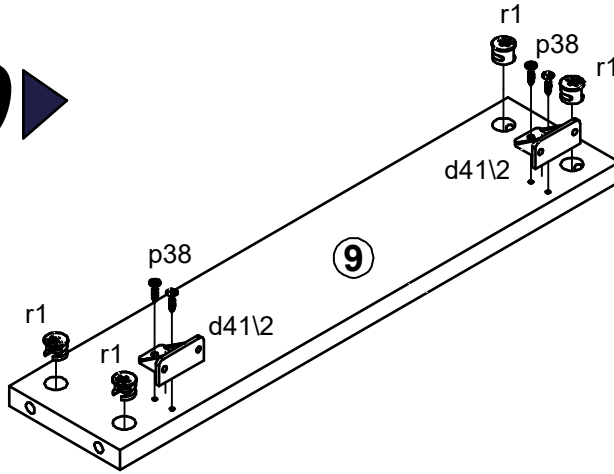
A





10 ▶

B,C

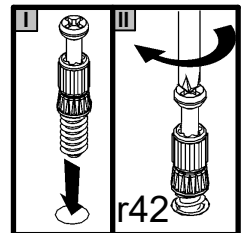
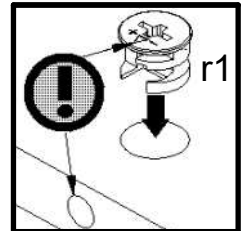
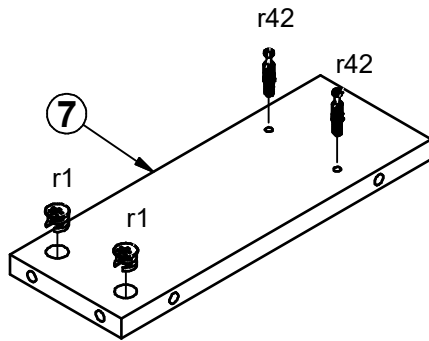


2x

▶ 11



B,C

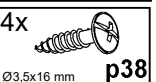
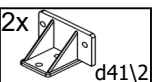
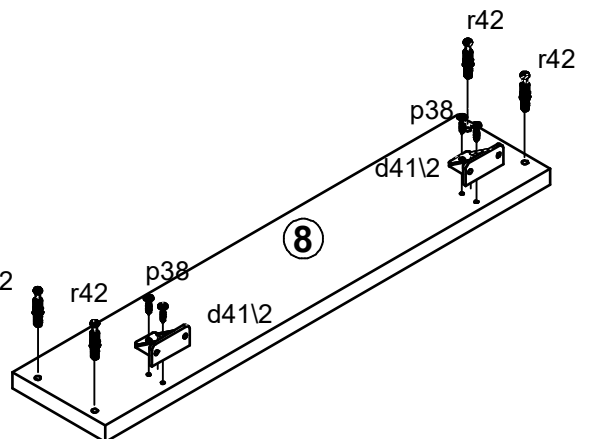
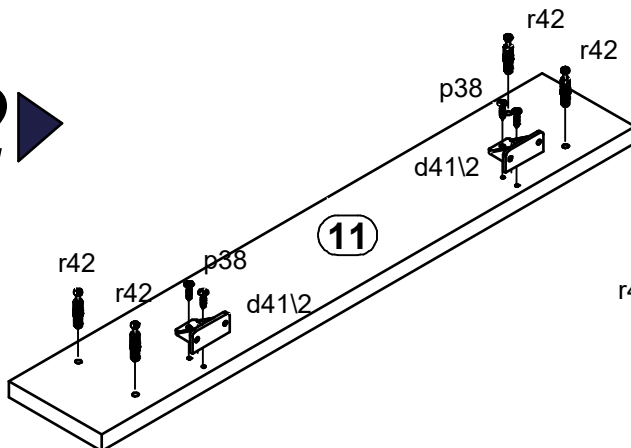


B



C

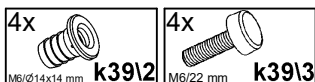
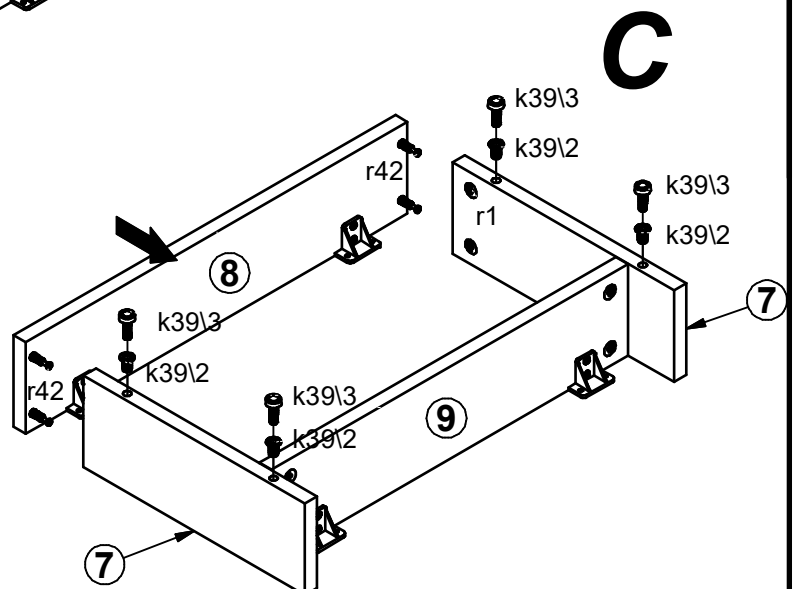
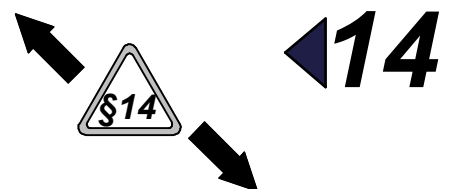
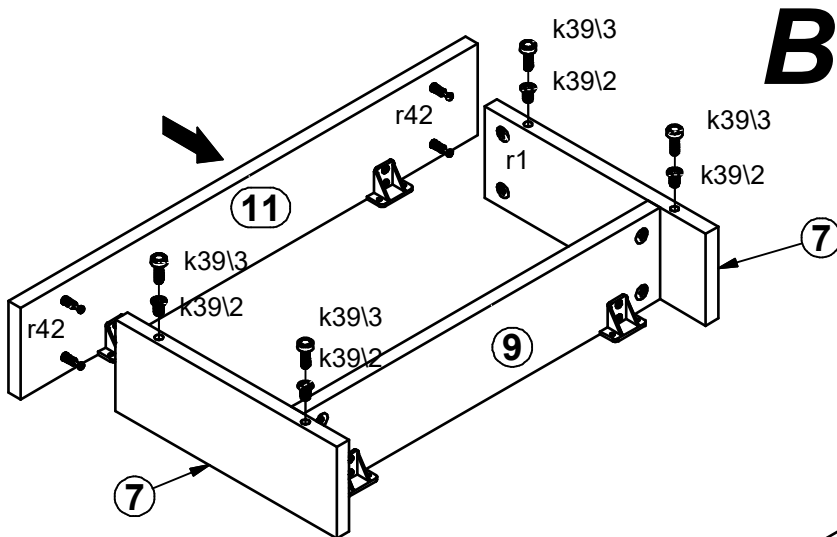
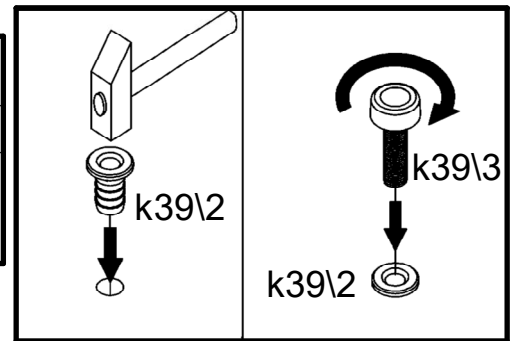
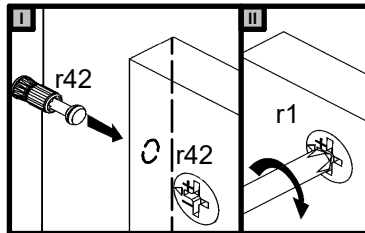
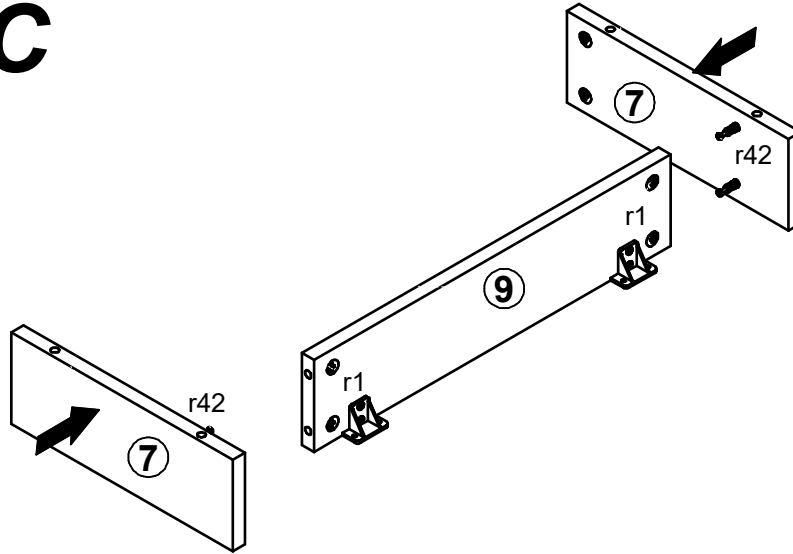
12 ▶





B,C

13 ▶

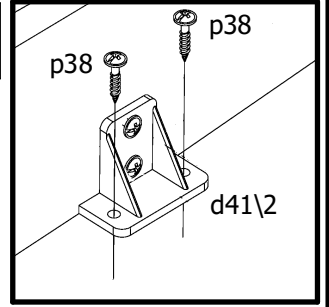
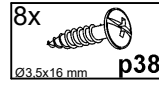
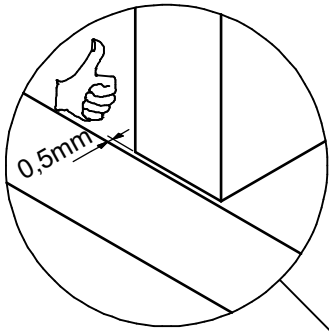


A

S592-RTV1B

10Q9--31

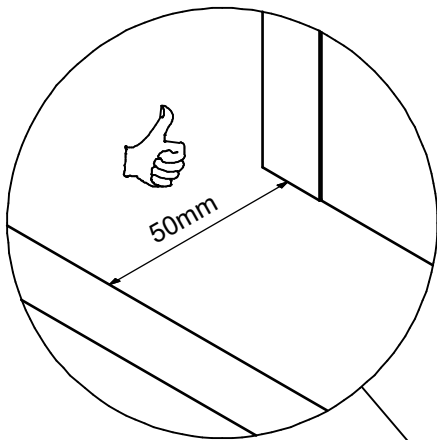
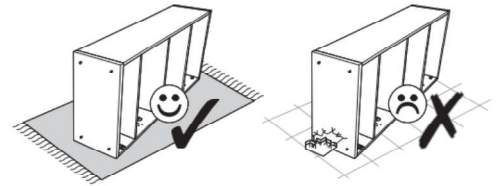
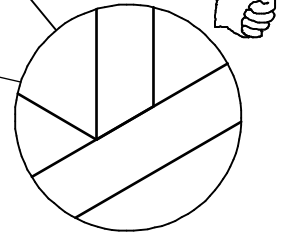
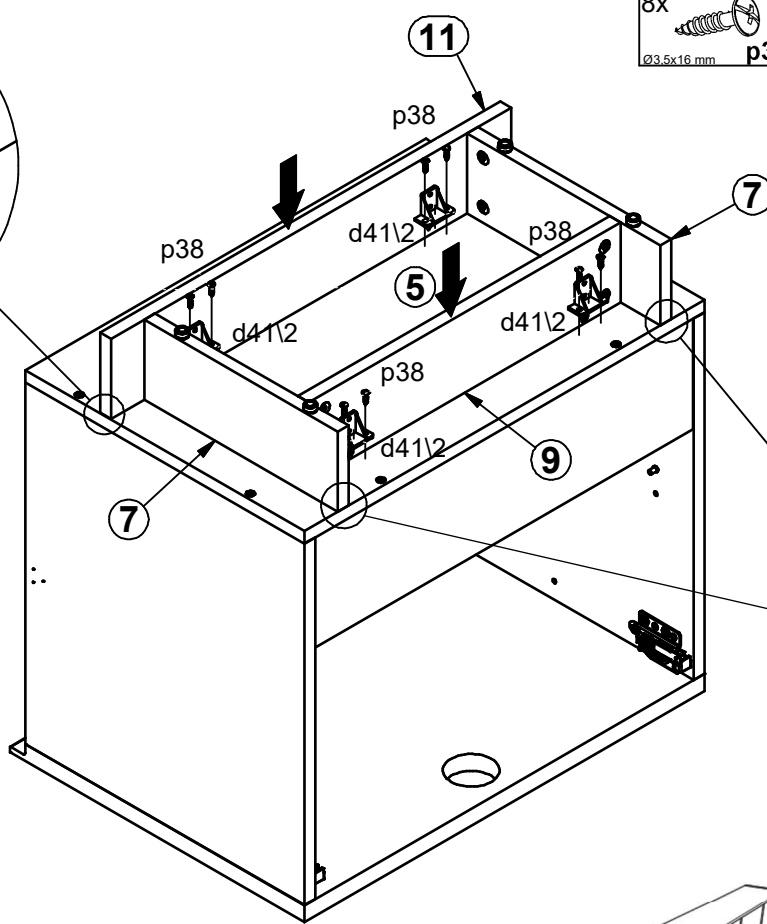
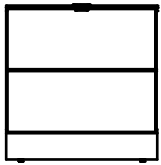
11 / 16



15 ▶



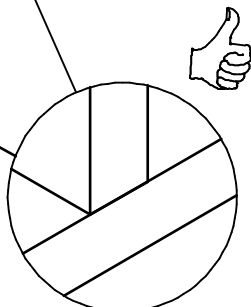
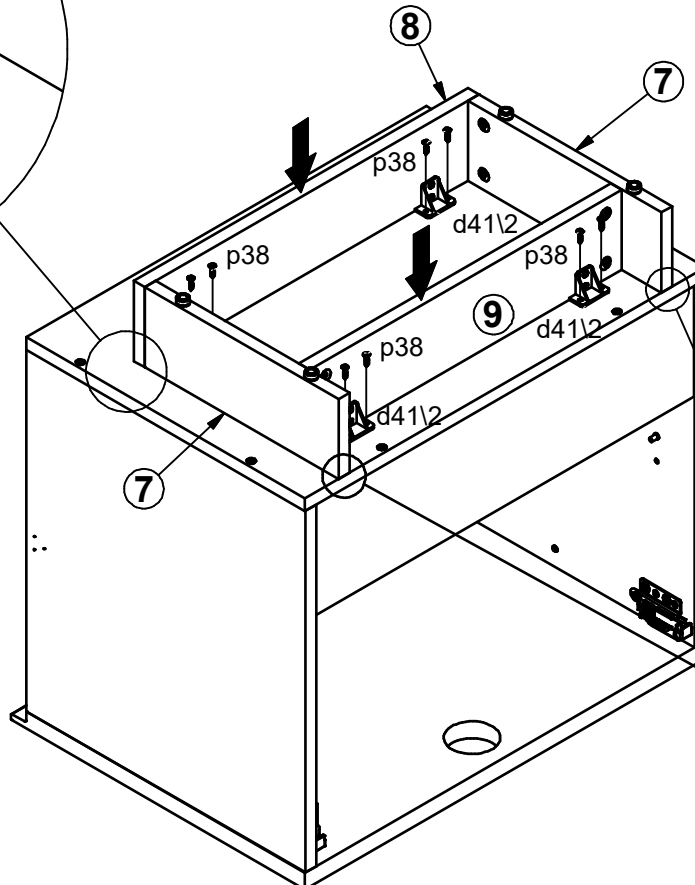
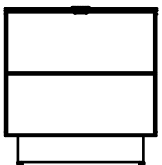
B



15 ▶



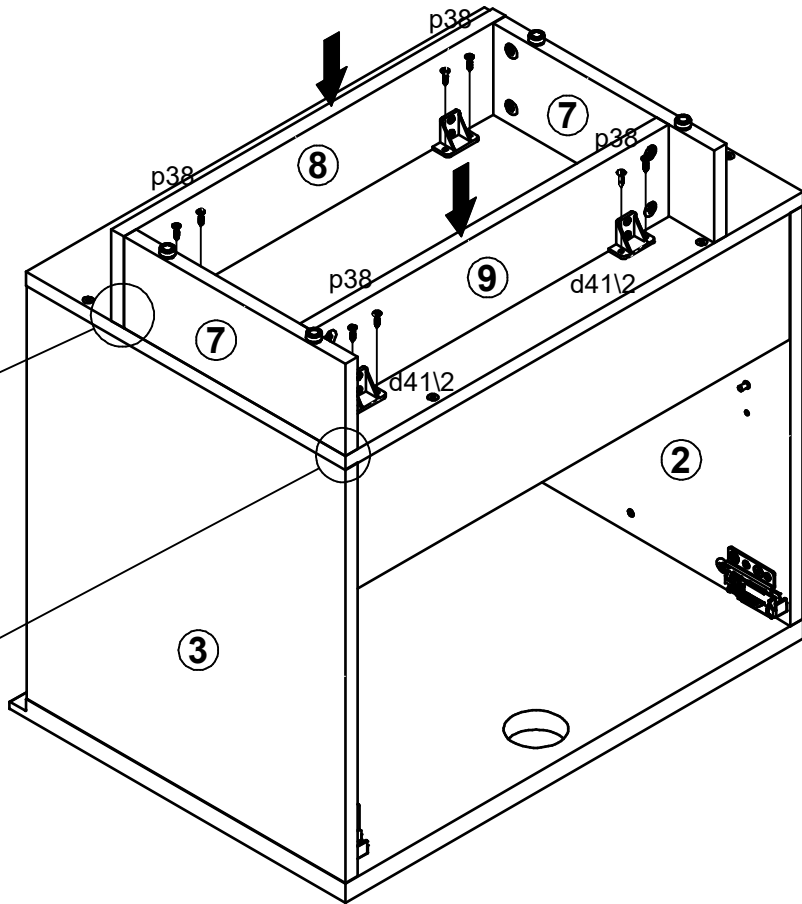
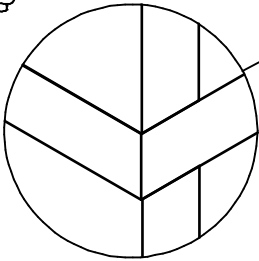
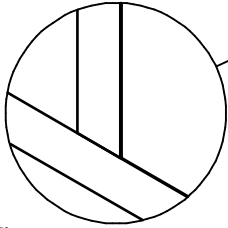
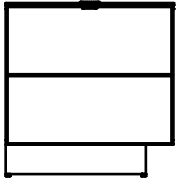
C





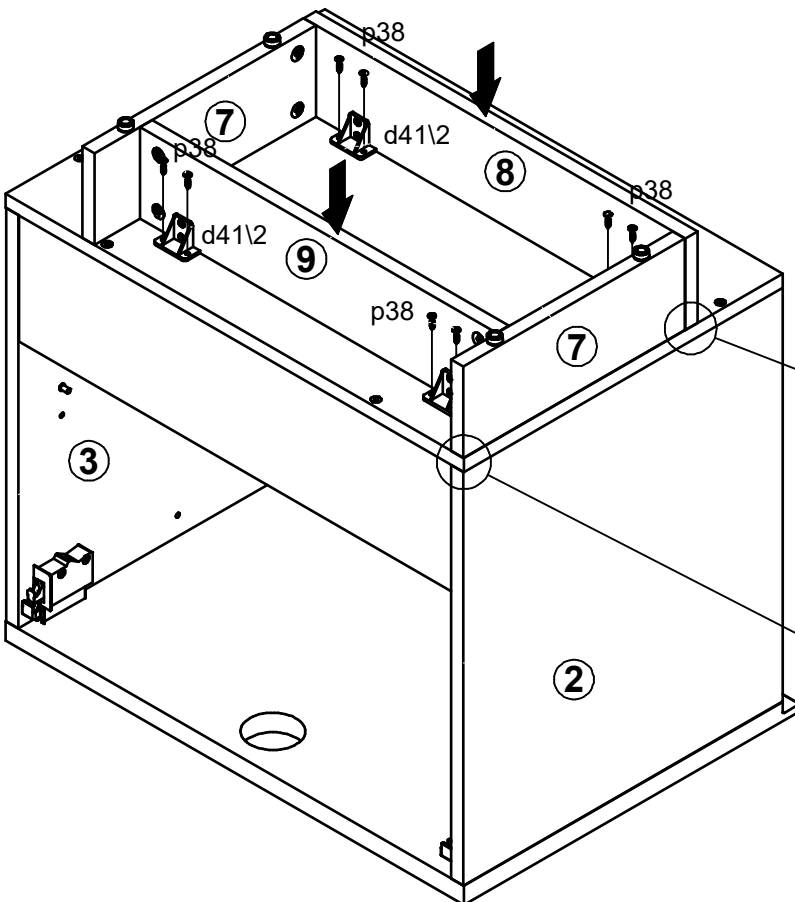
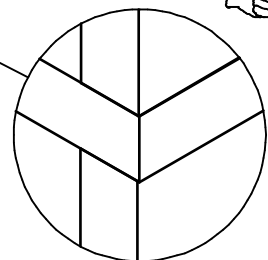
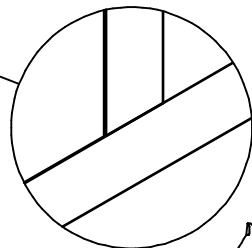
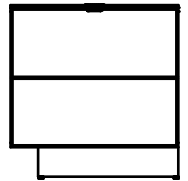
CR

15 ▶



CL

◀ **15**

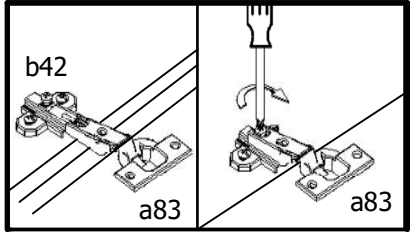
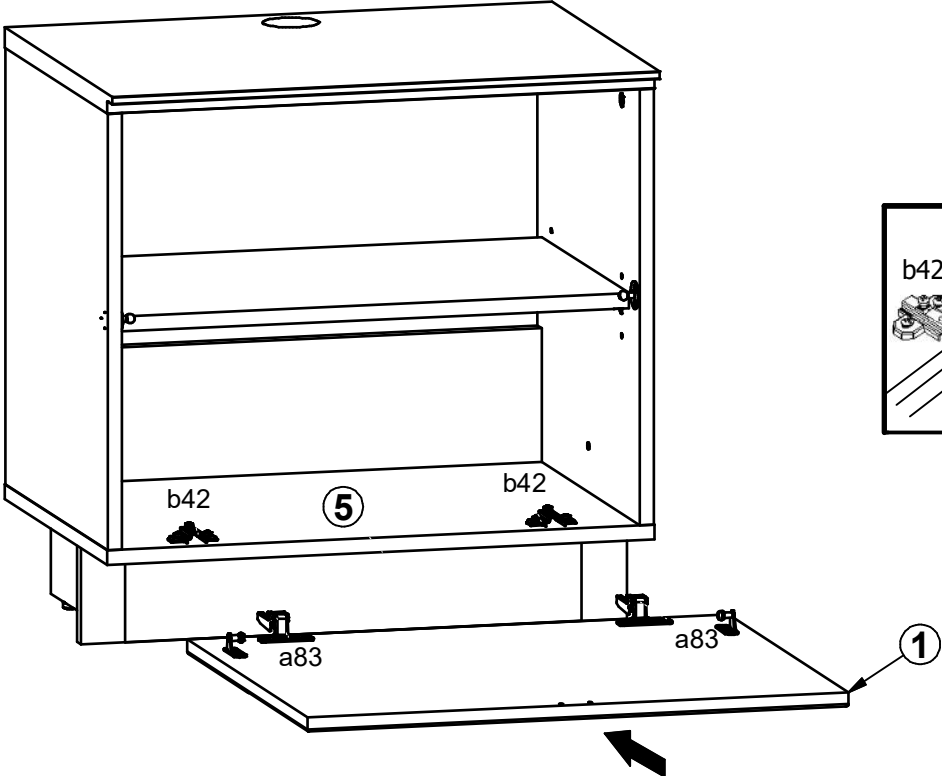
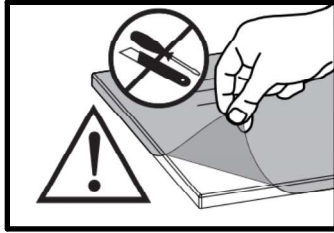
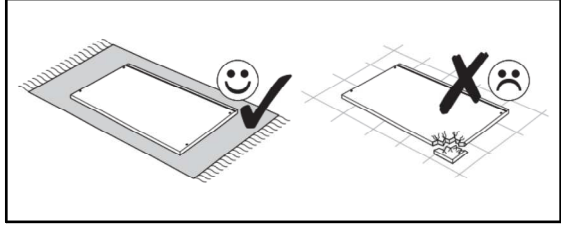
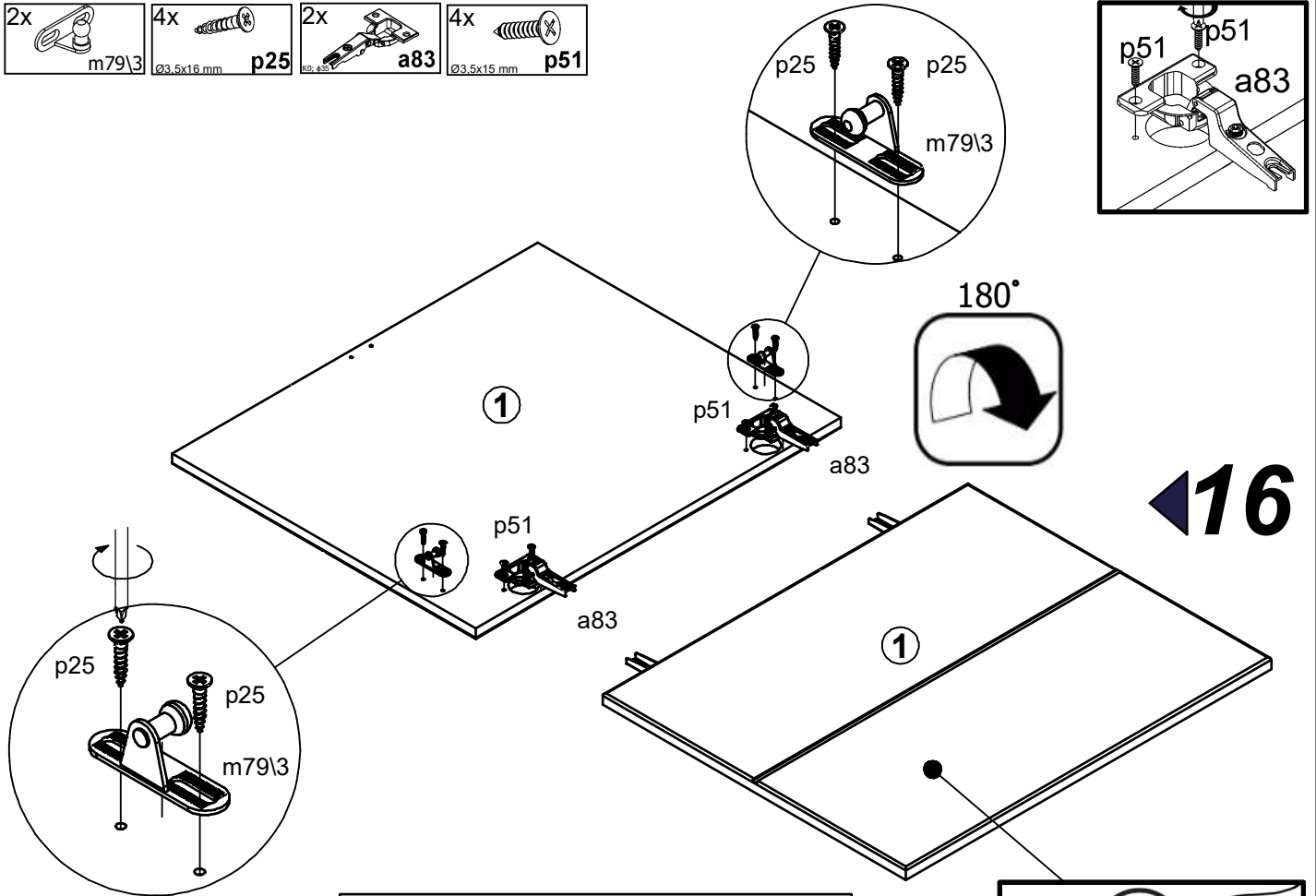


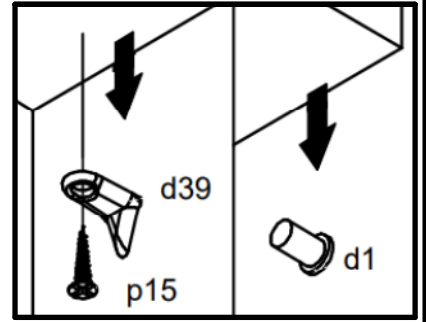
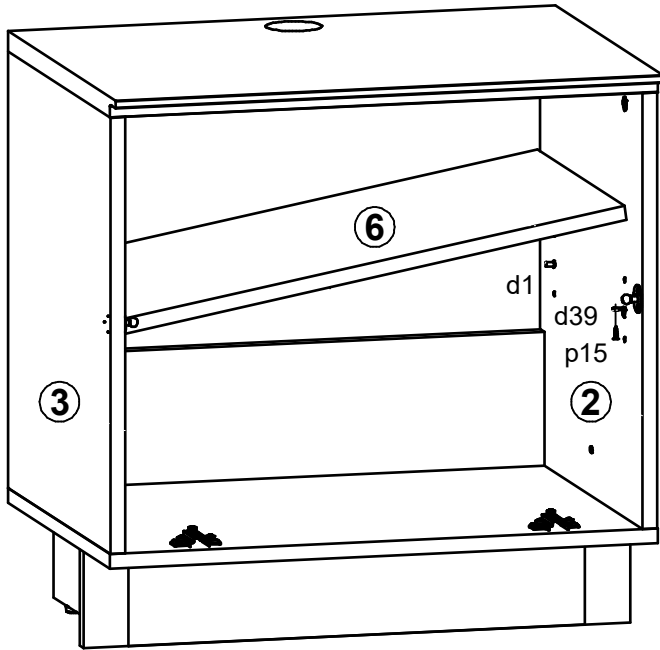
A

S592-RTV1B

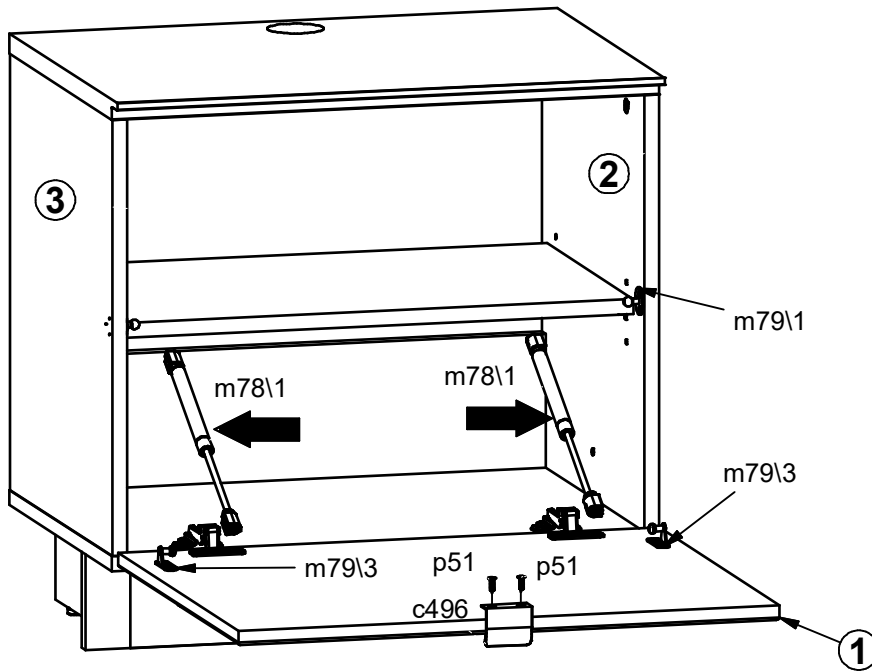
10Q9--31

13 / 16

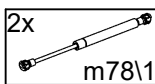
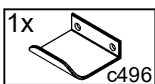
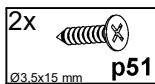
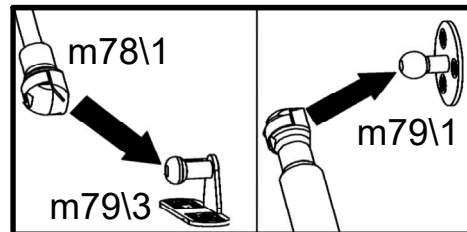
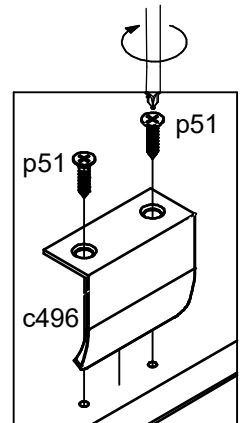




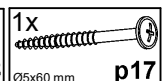
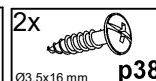
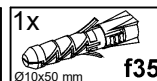
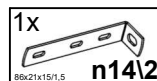
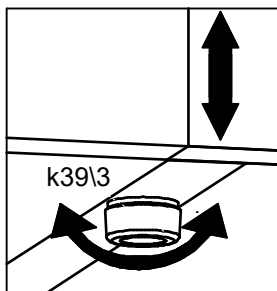
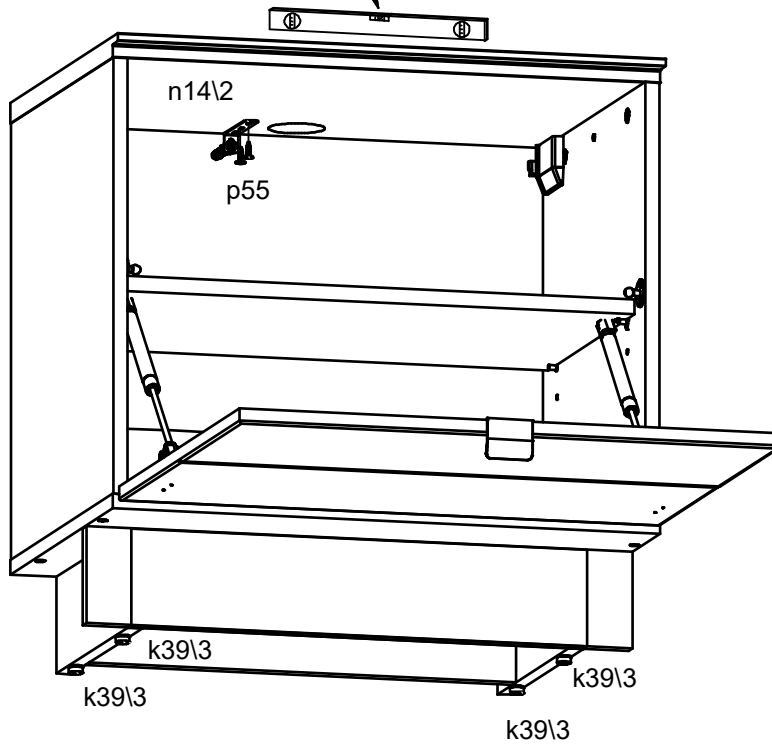
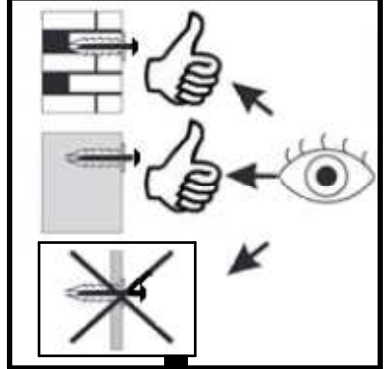
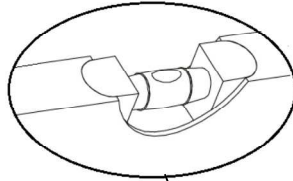
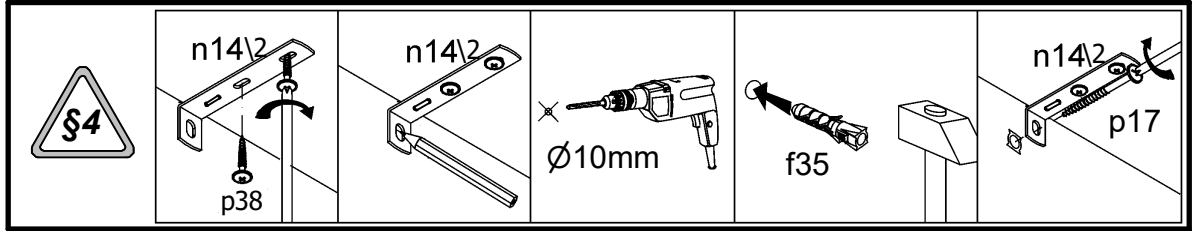
18



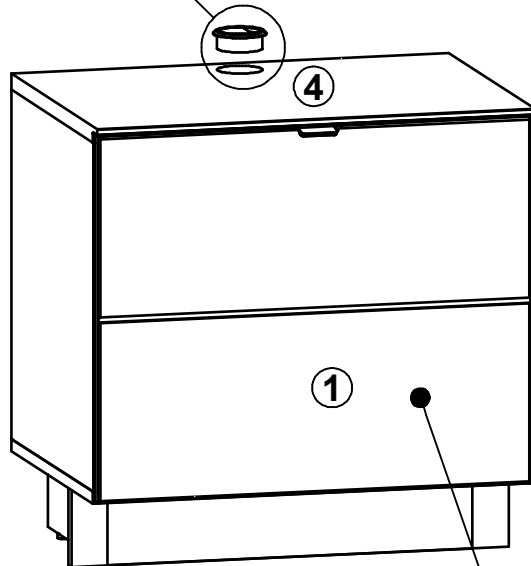
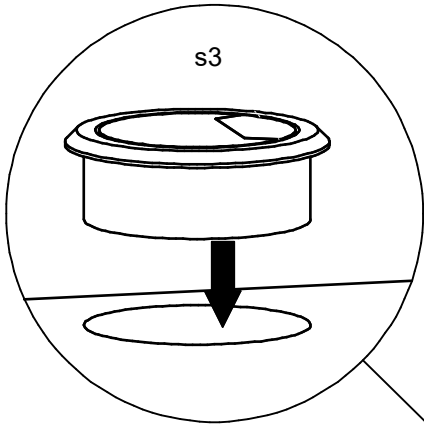
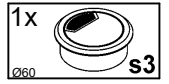
19



20
B,C



21



1

