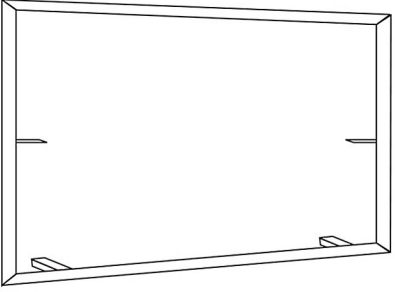
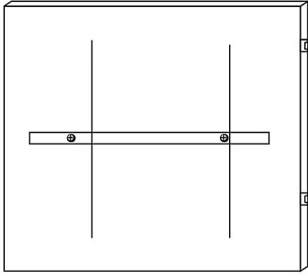

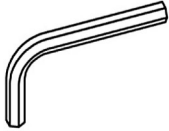
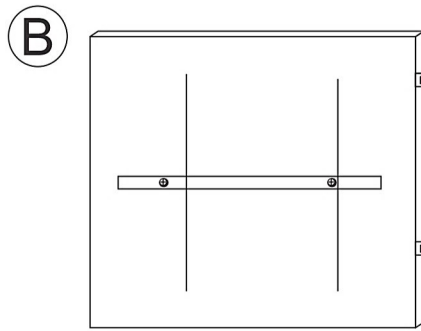
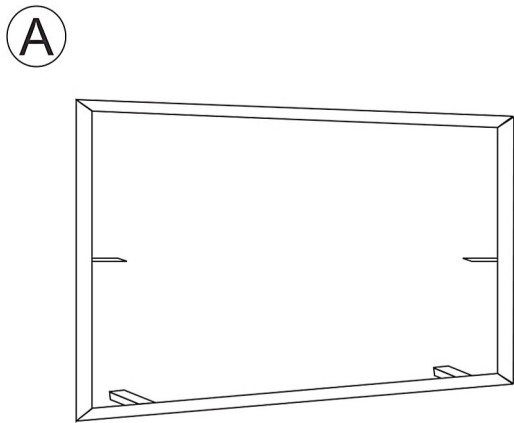


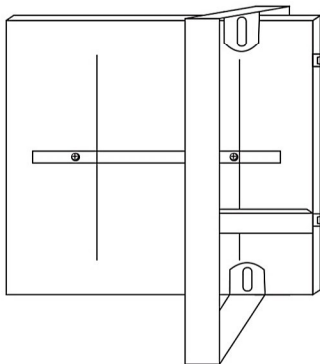
1158945



<p>(A)</p>  <p>X1</p>	<p>(B)</p>  <p>X1</p>	<p>(C)</p>  <p>20MMX2</p> <p>(D)</p>  <p>5MMX1</p>
---	---	--



(A+B)



(A+B+C+D)

