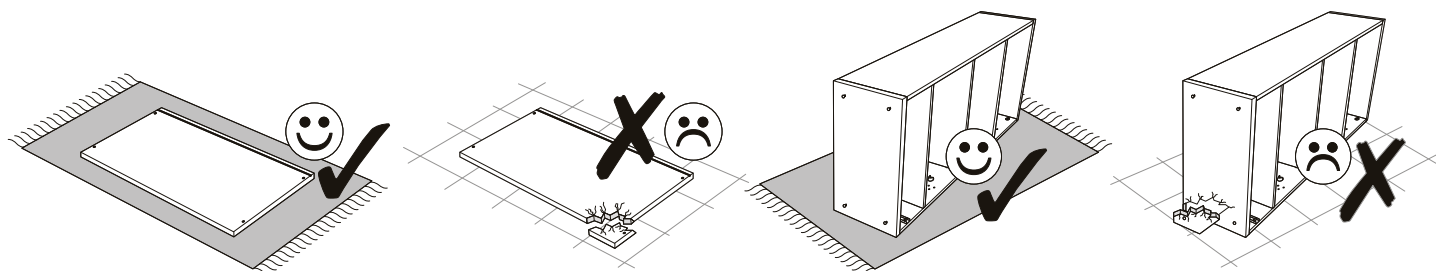
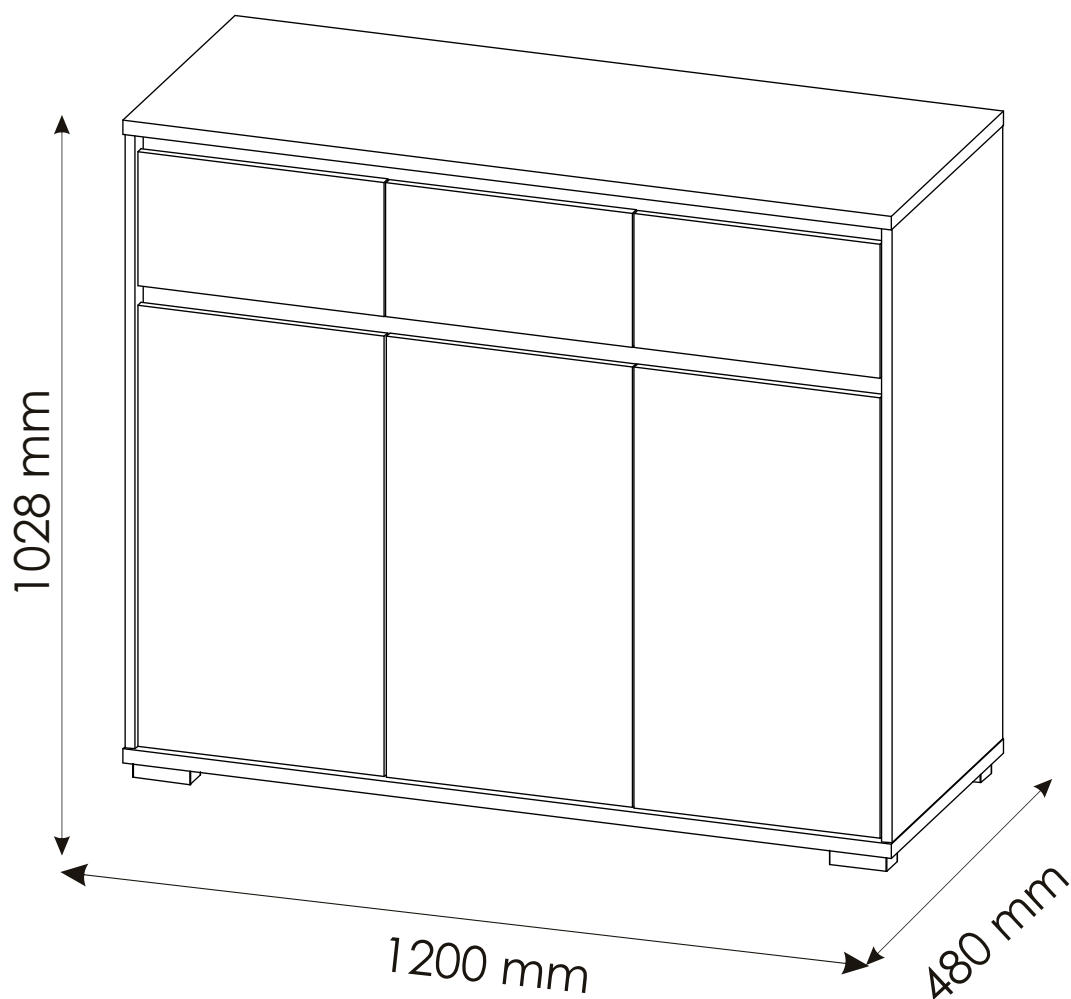
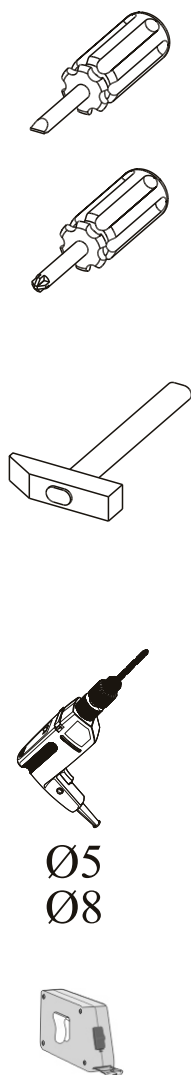
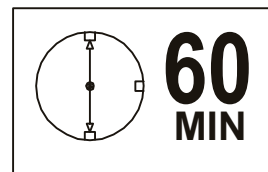
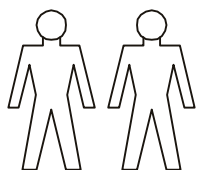

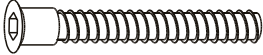

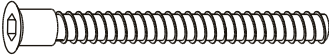









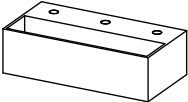

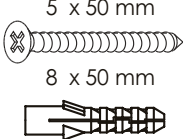


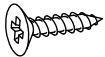


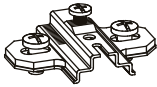
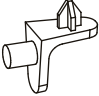
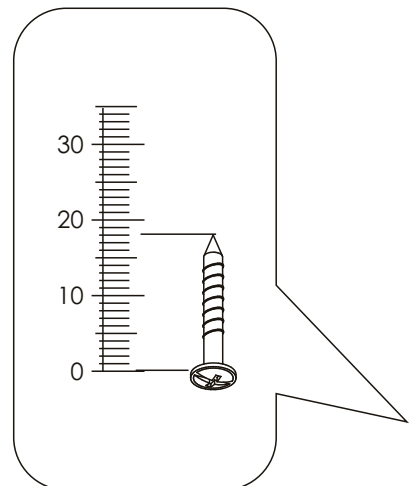
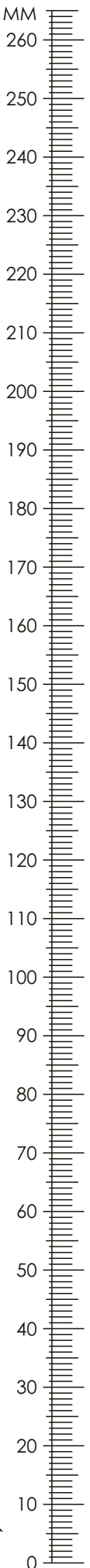


LINE 3T3L 1200 - KOMMODE




LINE 3T3L 1200 - KOMMODE

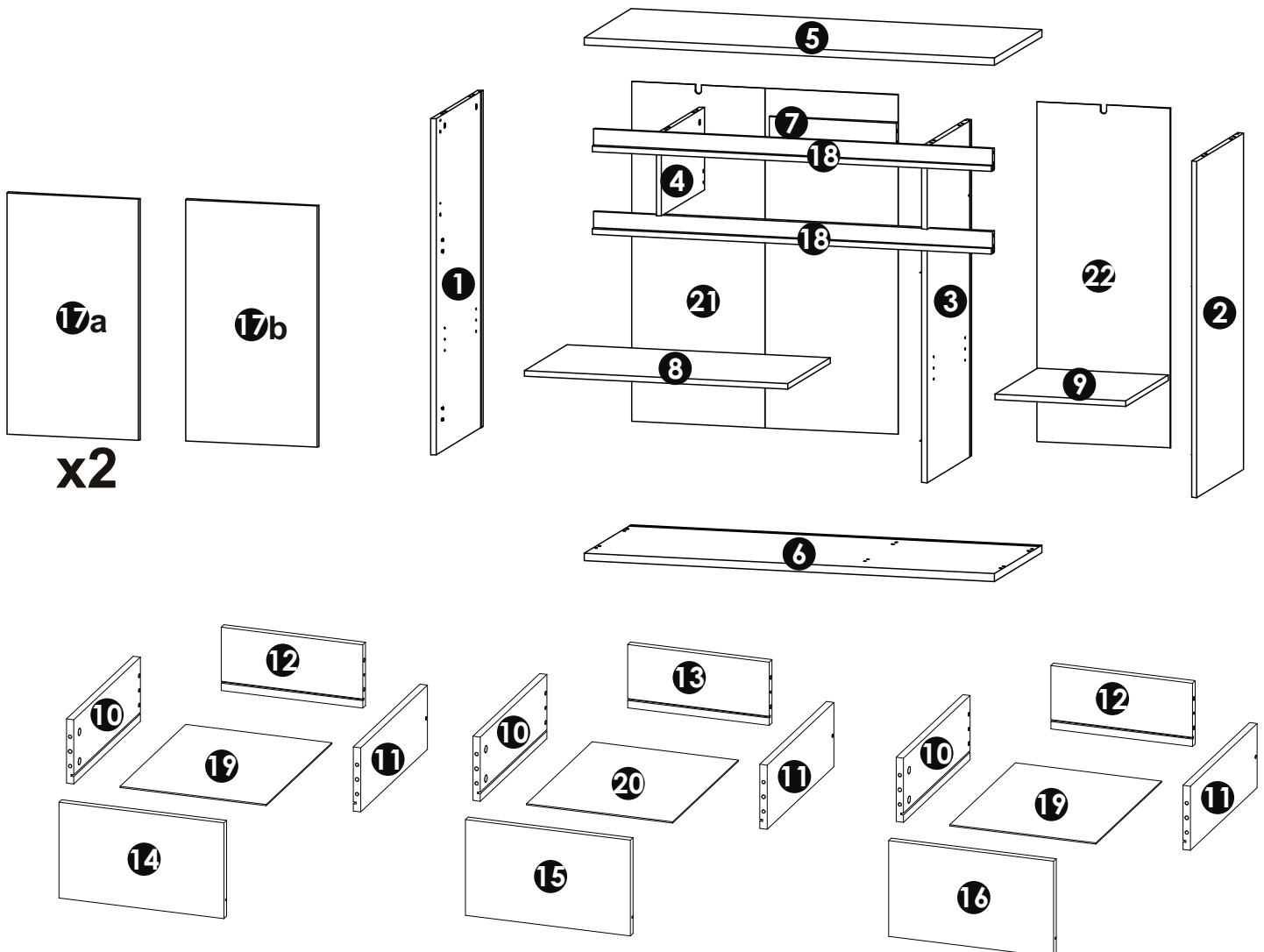
A0 8 x 30mm x38 	B1 f 7 x 50 mm x8 	C0 x12 
B2 f 7 x 70 mm x6 	C2 x24 	C7 x24 16mm 
D0 3 x 15 mm x34 	D21 5 x 13 mm x10 	D5 3,5 x 16 mm x18 
D14 4 x 35 mm x15 	K x1 4mm 	M1 x34 
N2 L-400 x3 	T2 x5 	U0 x9 
E0 5 x 50 mm x2 8 x 50 mm 	P0 x2 	D20 5 x 9 mm x16 
D10 4 x 16 mm x12 	J4 x4 	J5 x2 
J6 x6 	Q3 x8 	

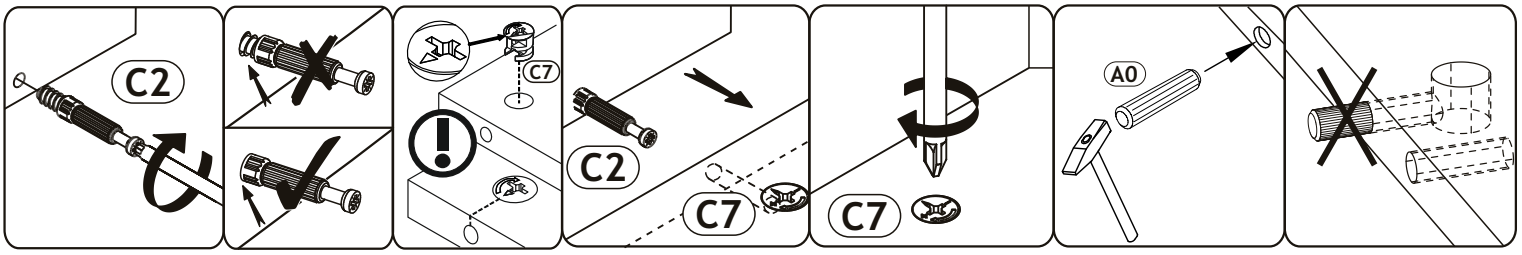


LINE 3T3L 1200 - KOMMODE






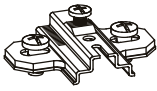
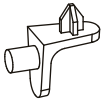
1	959	475	16	1	1/2
2	959	475	16	1	1/2
3	959	456	16	1	1/2
4	236	436	16	1	2/2
5	1200	480	22	1	2/2
6	1200	480	22	1	2/2
7	372	80	16	1	2/2
8	769	435	16	1	2/2
9	381	435	16	1	2/2
10	400	140	16	3	2/2
11	400	140	16	3	2/2

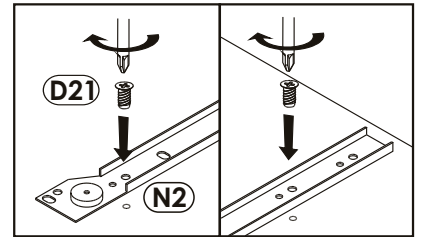
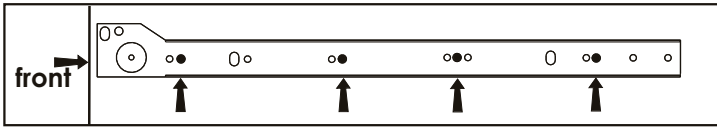
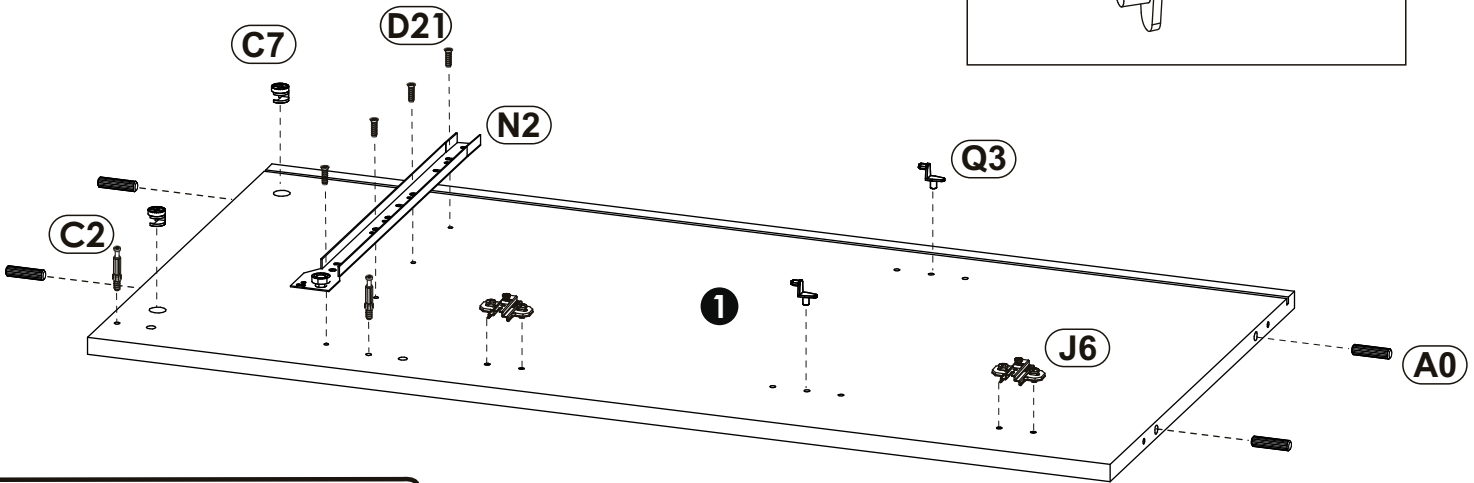
12	324	138	16	2	2/2
13	315	138	16	1	2/2
14	385	209	16	1	1/2
15	385	209	16	1	1/2
16	385	209	16	1	1/2
17	385	688	16	3	1/2
18	1166	59	32	2	2/2
19	334	394	3	2	1/2
20	325	394	3	1	1/2
21	969	778	3	1	1/2
22	969	389	3	1	1/2
23					1/2







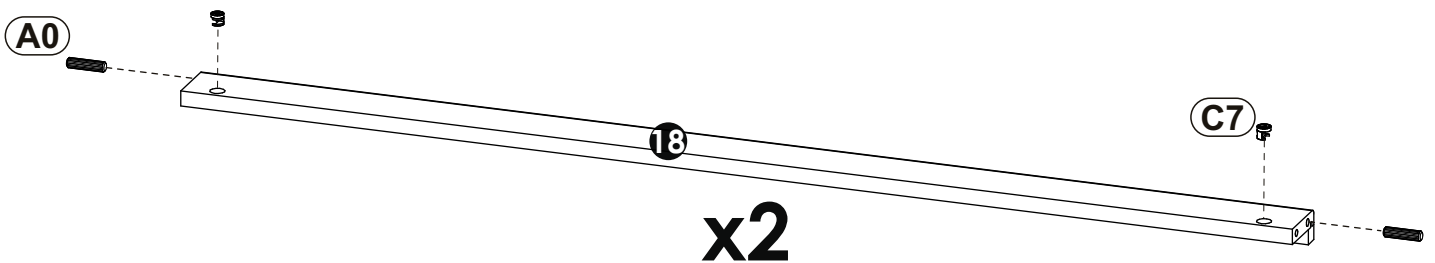
1

A0 8 x 30mm 	x4	C7 16mm 	x2	C2 	x2
D21 5 x 13 mm 	x4	N2 L-400 	x1	J6 	x2
				Q3 	x2






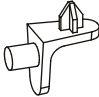
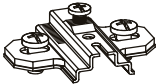


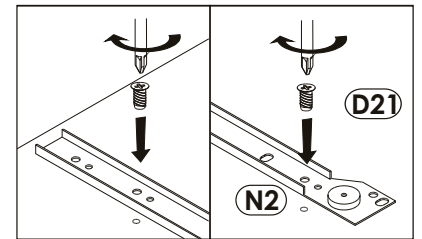
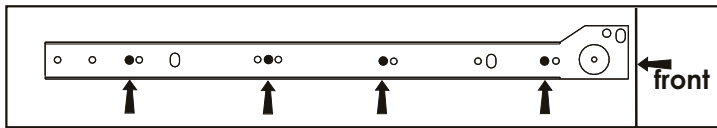
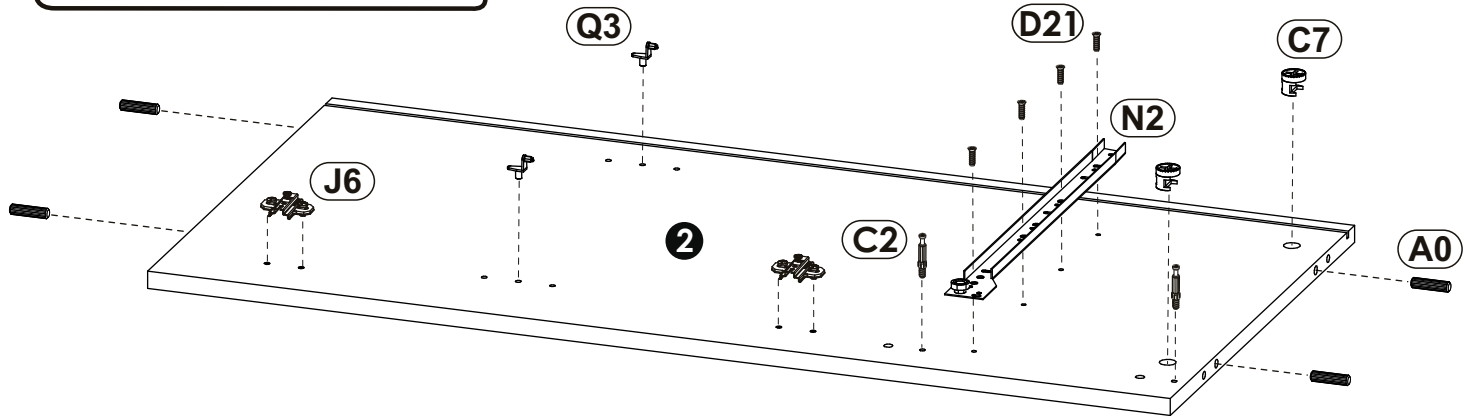
2

A0 8 x 30mm 	x4	C7 16mm 	x4
--	-----------	--	-----------

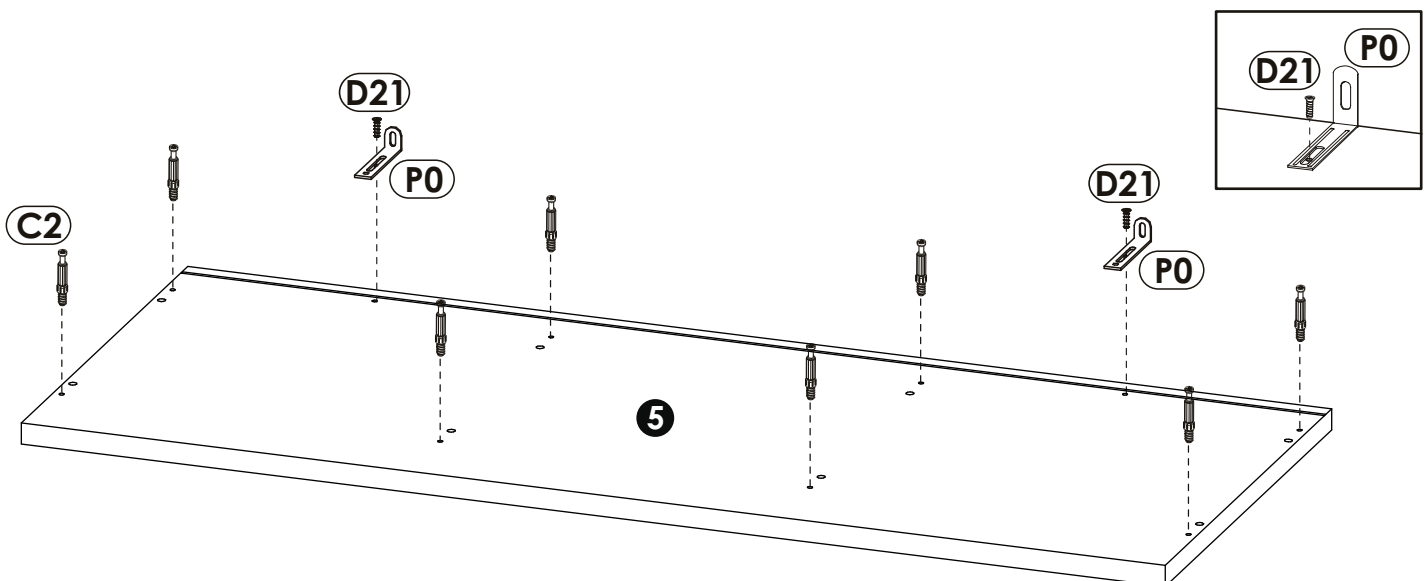


3



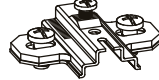


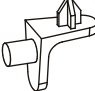
A0 8 x 30mm 	x4	C7 16mm 	x2	C2 	x2
D21 5 x 13 mm 	x4	N2 L-400 	x1	Q3 	x2
				J6 	x2

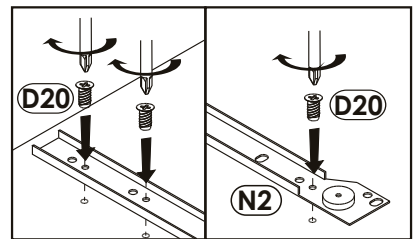
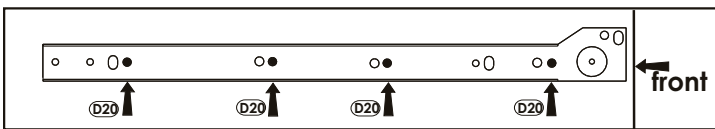
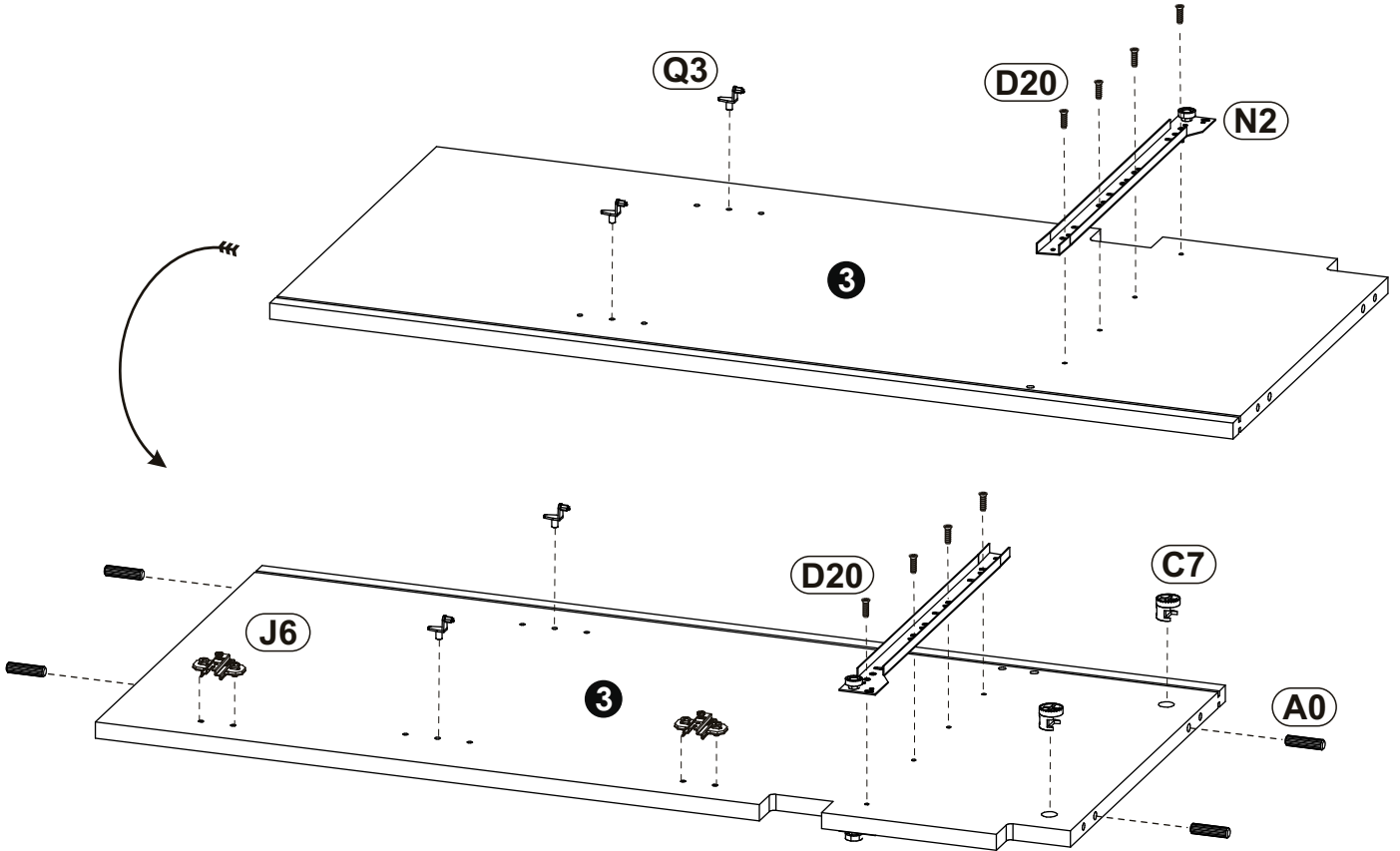
**4**

C2 	x8	D21 5 x 13 mm 	x2	P0 	x2
--	-----------	--	-----------	--	-----------




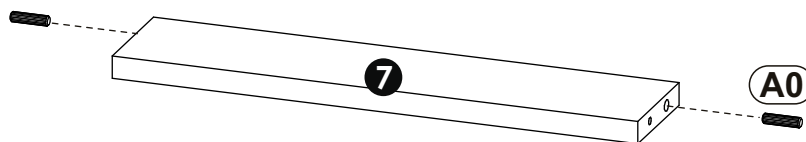
5 ▶

<p>A0 8 x 30mm x4</p> 	<p>C7 16mm x2</p> 	<p>J6 x2</p> 
<p>D20 5 x 9 mm x8</p> 	<p>N2 L-400 x1</p> 	<p>Q3 x4</p> 




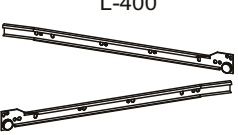





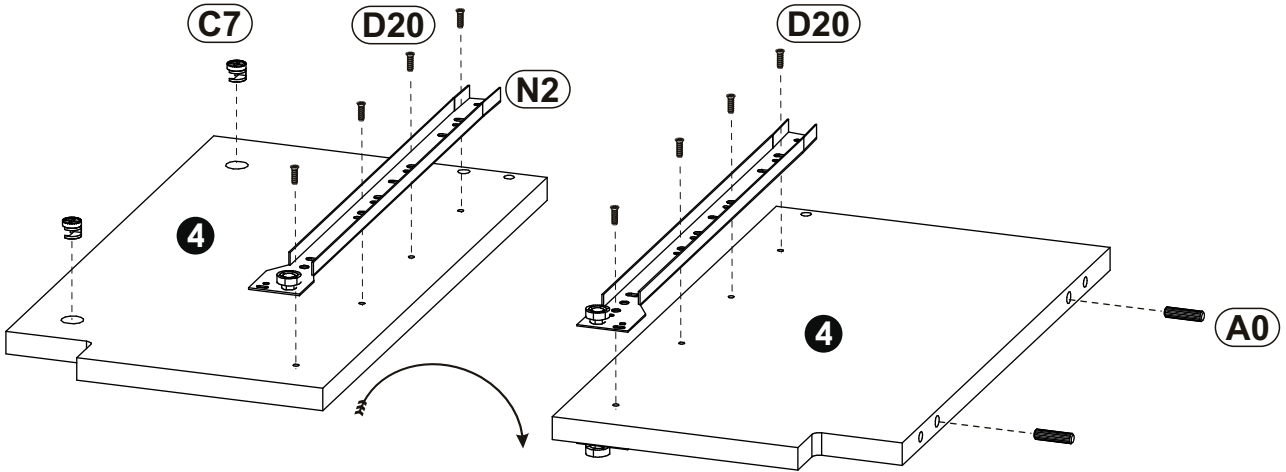
6 ▶

<p>A0 8 x 30mm x2</p> 


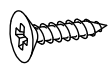


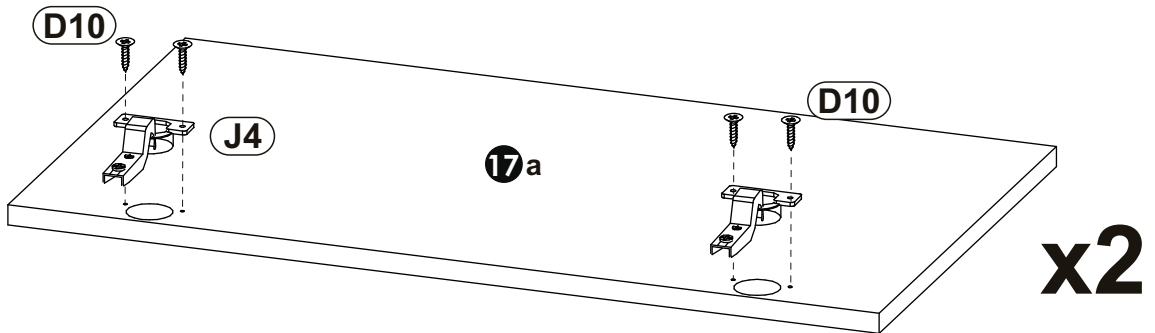
7 ▶

<p>A0 8 x 30mm x2</p> 	<p>C7 x2</p> <p>16mm</p> 	<p>D20 5 x 9 mm x8</p> 
<p>N2 L-400 x1</p> 		<div style="border: 1px solid black; padding: 5px;"> <p>D21 5 x 13 mm x1 </p> <p>D20 5 x 9 mm x1 </p>  </div>

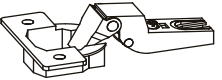
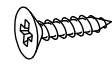


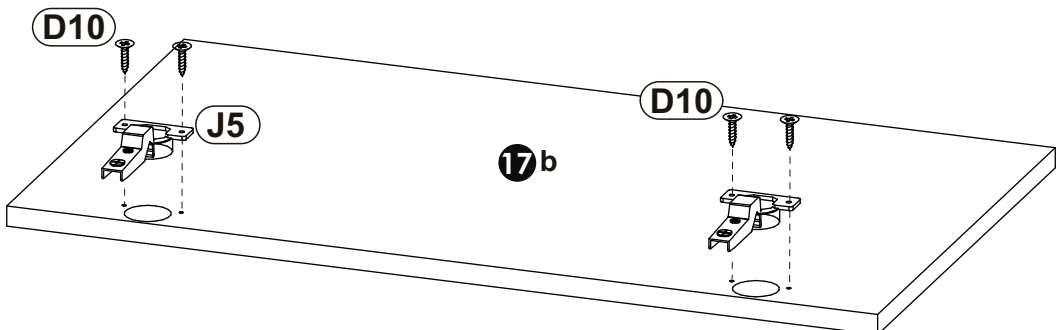
8 ▶

<p>J4 x4</p> 	<p>D10 4 x 16 mm x8</p> 
--	---

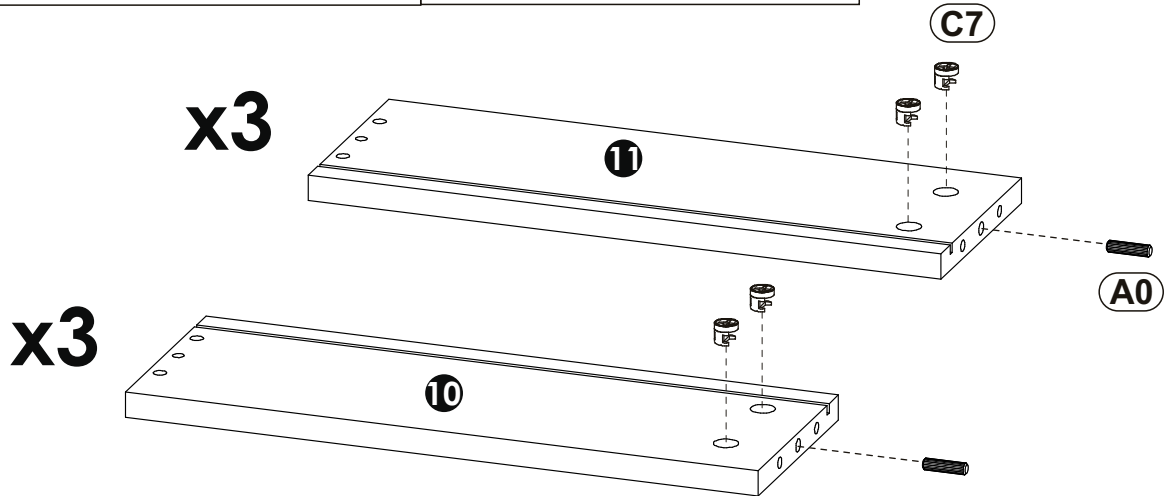
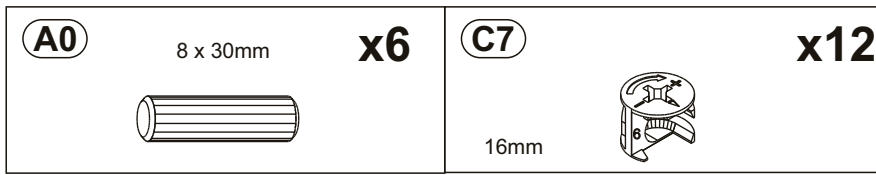


9 ▶

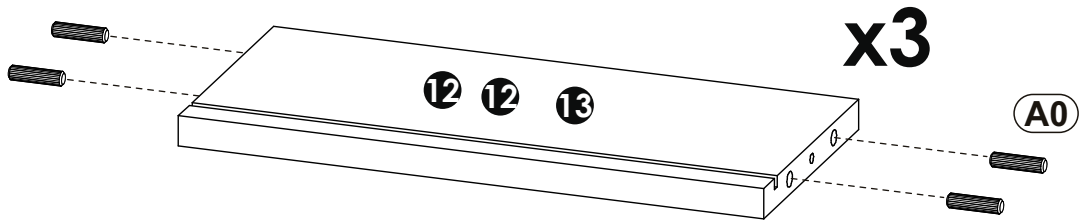
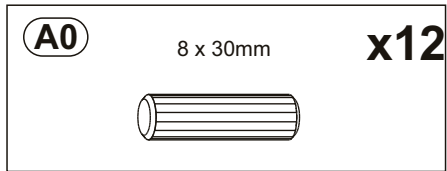
<p>J5 x2</p> 	<p>D10 4 x 16 mm x4</p> 
--	---



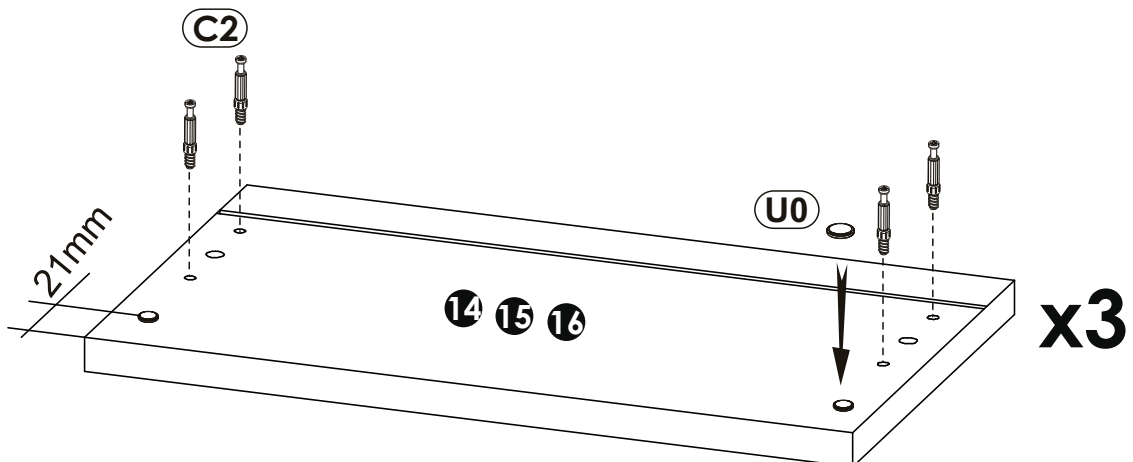
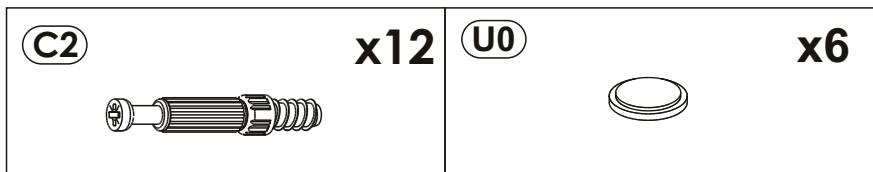
10 ▶



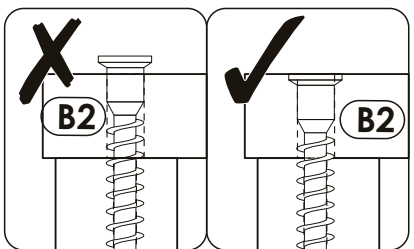
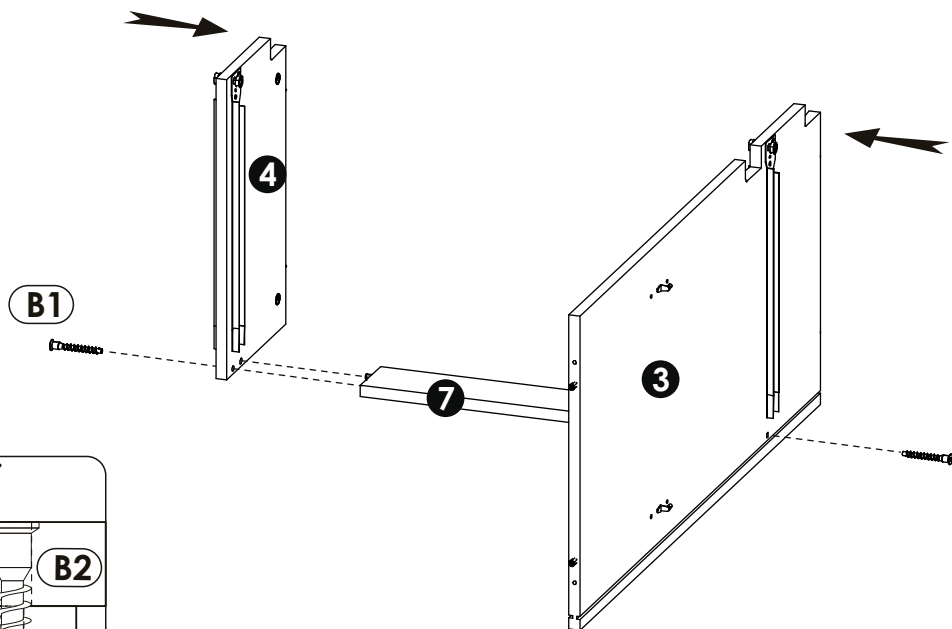
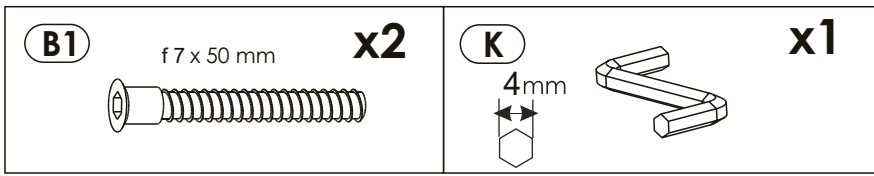
11 ▶



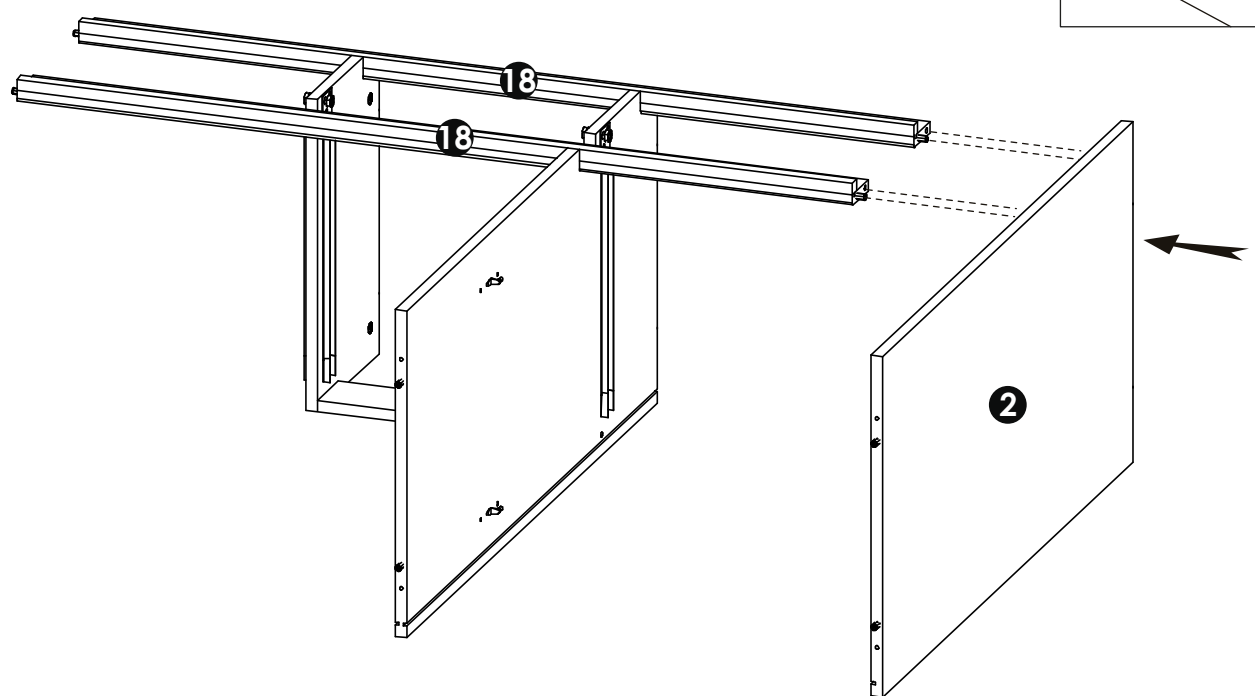
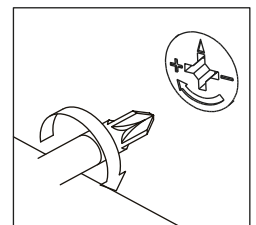
12 ▶



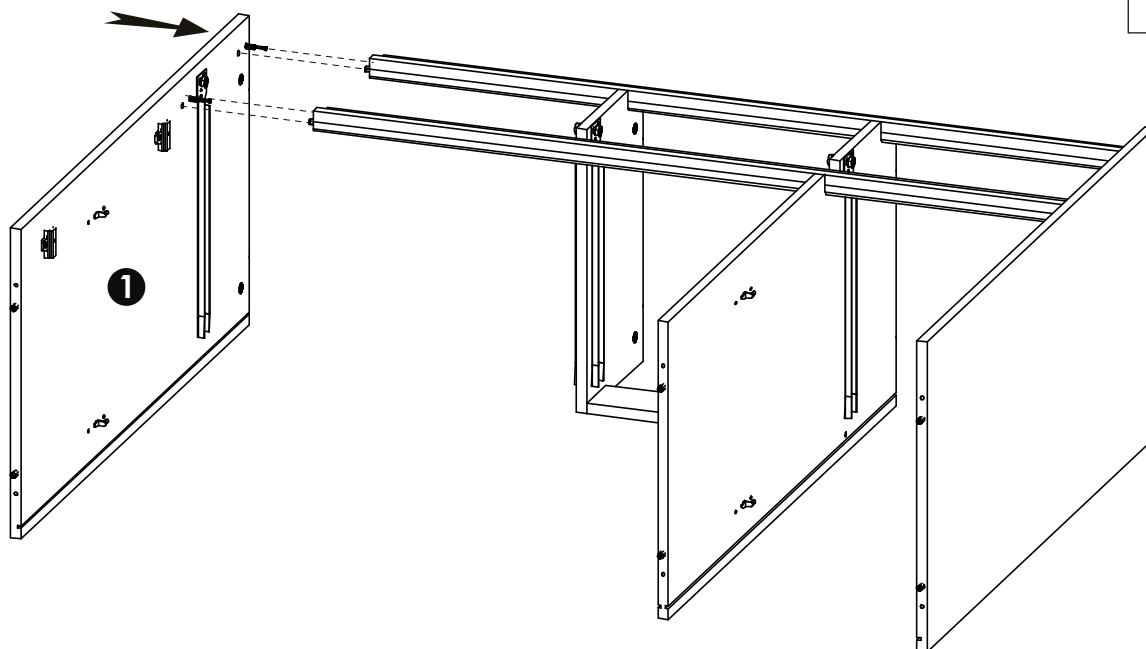
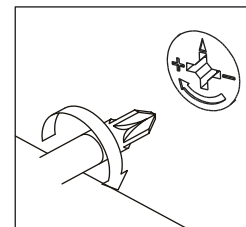
13▶



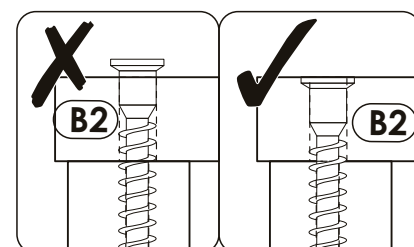
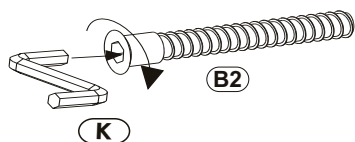
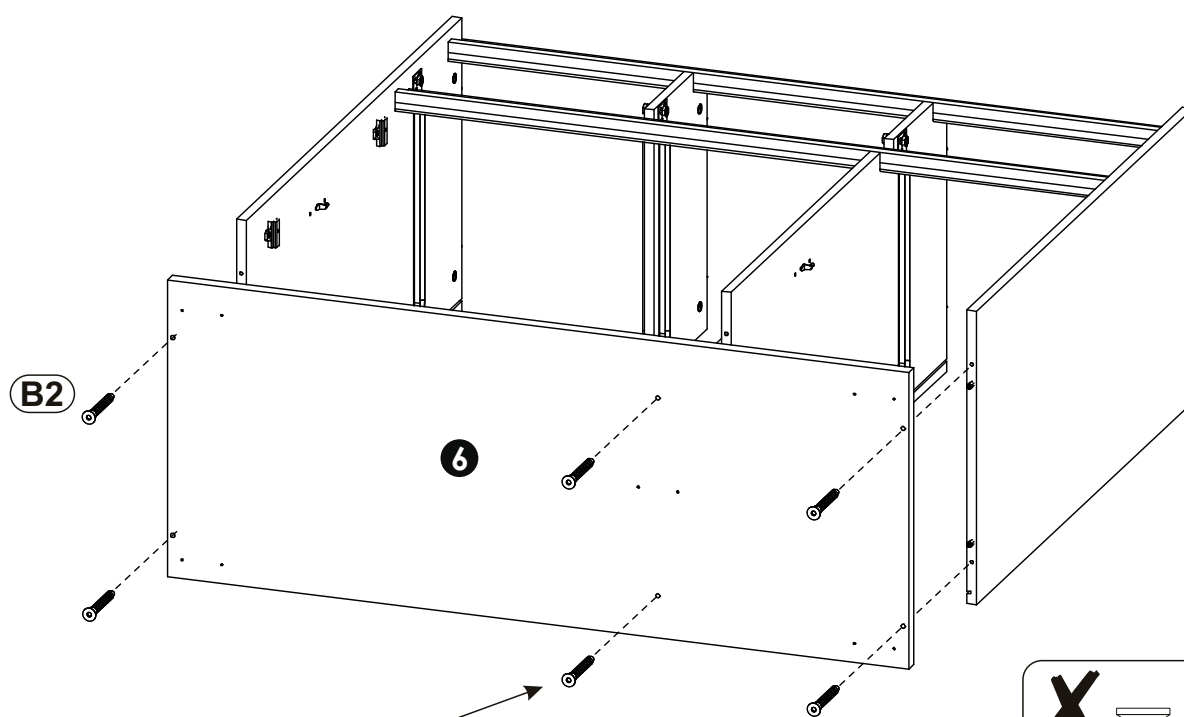
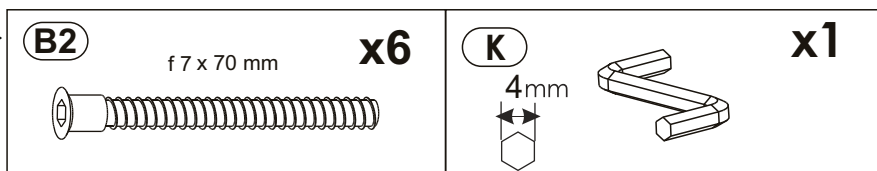
14▶



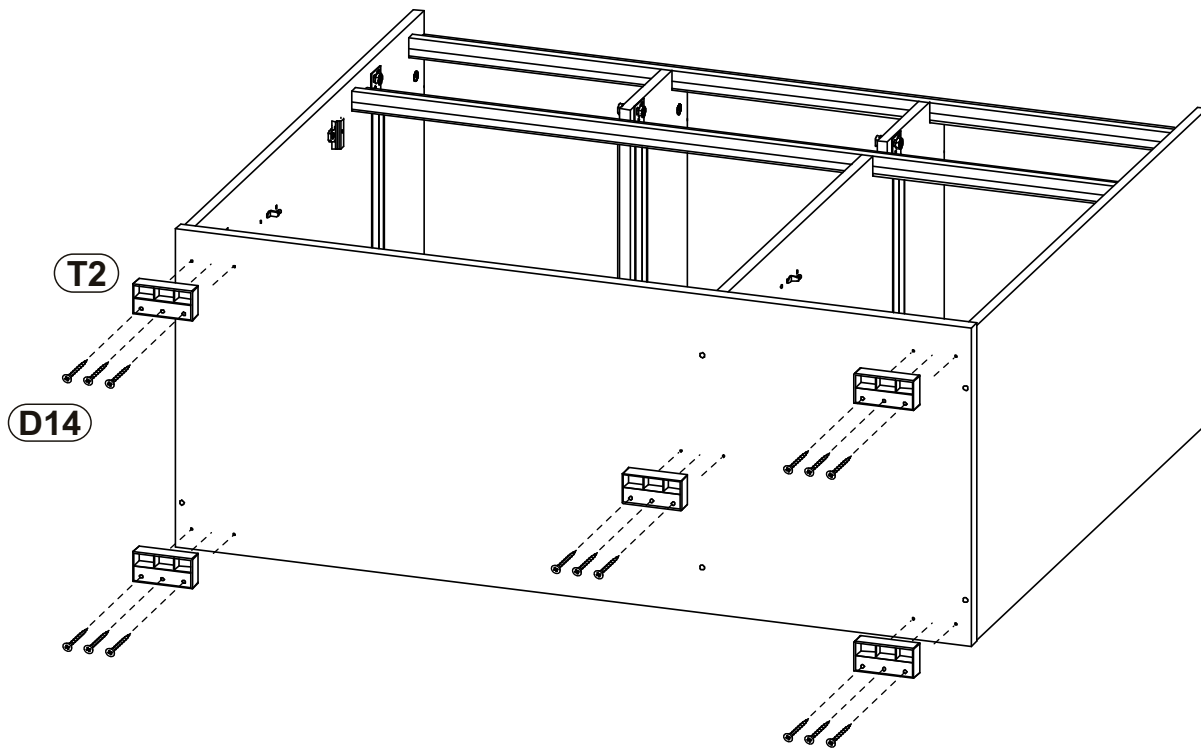
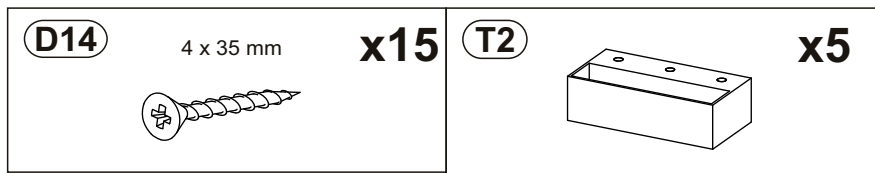
15▶



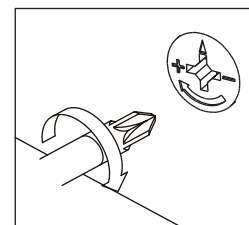
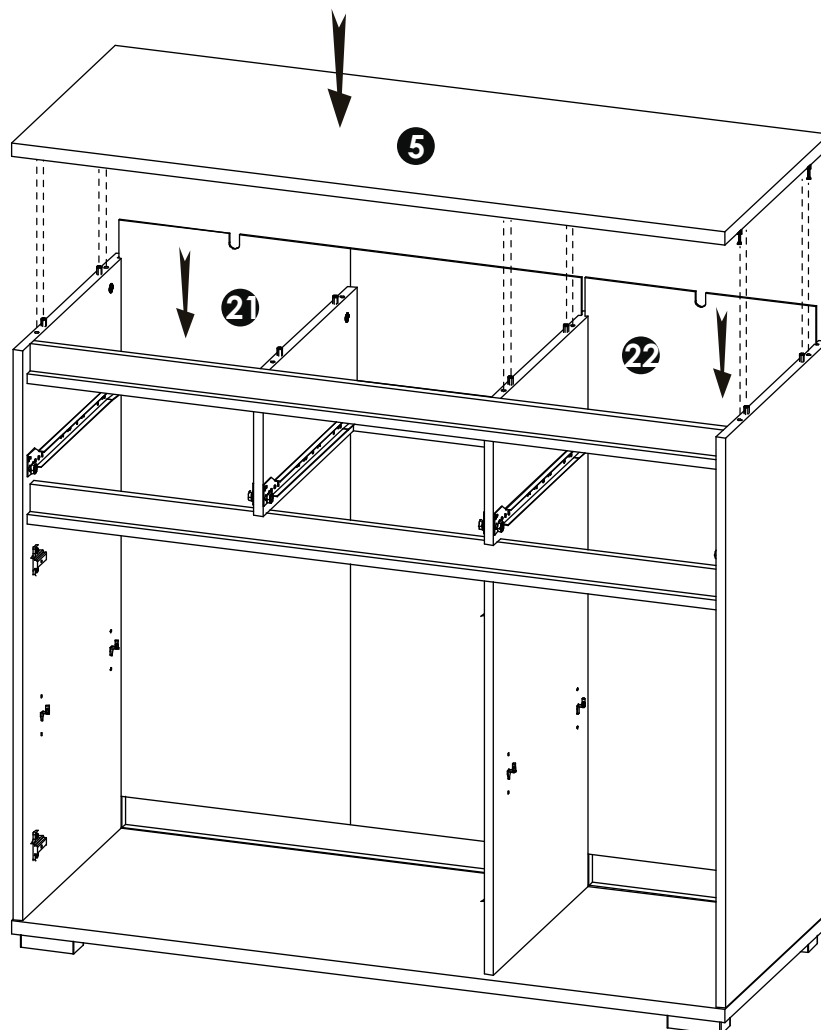
16▶





17▶

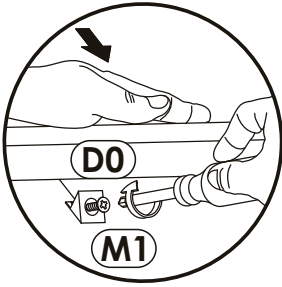
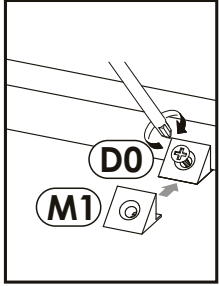
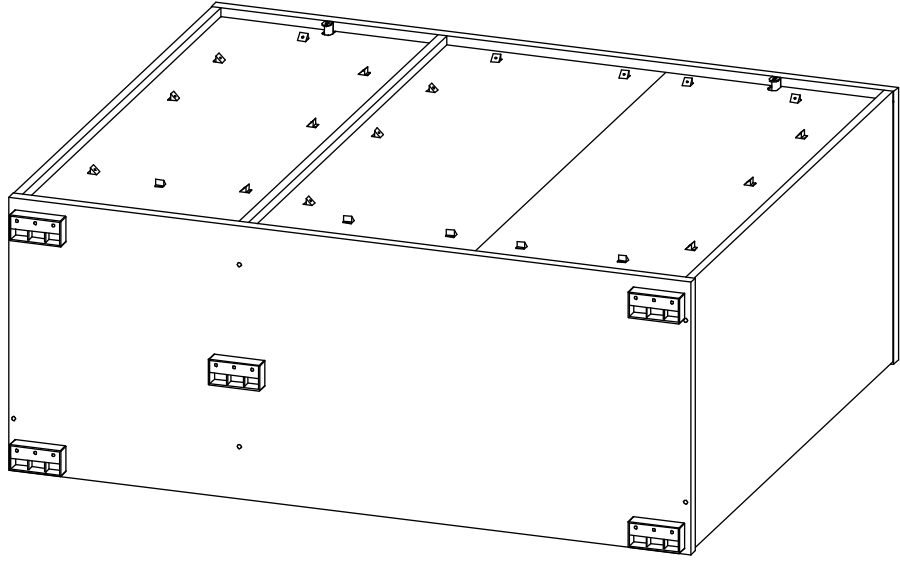
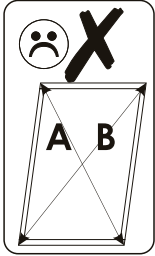
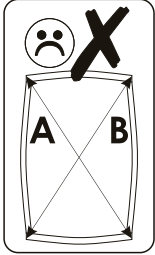
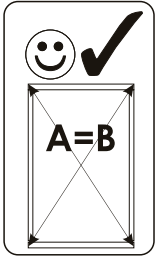


18▶


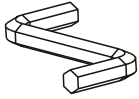


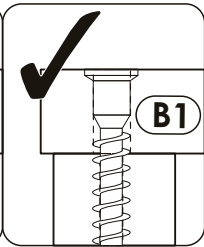
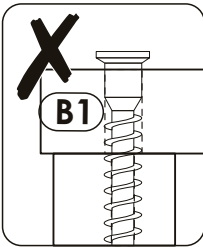
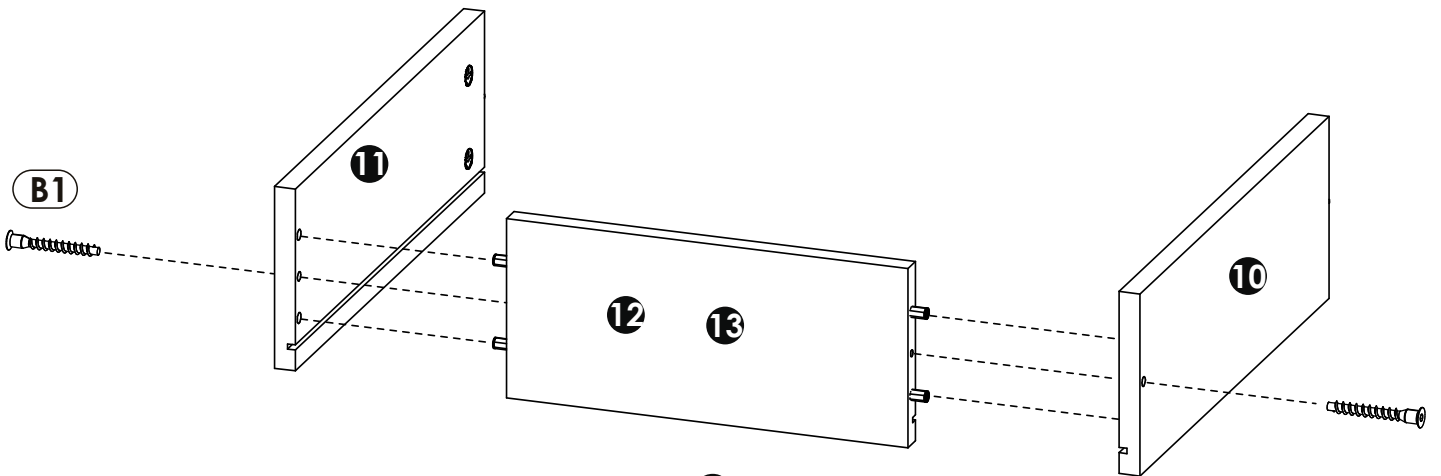
19▶

(D0)	3 x 15 mm	x22	(M1)		x22
					



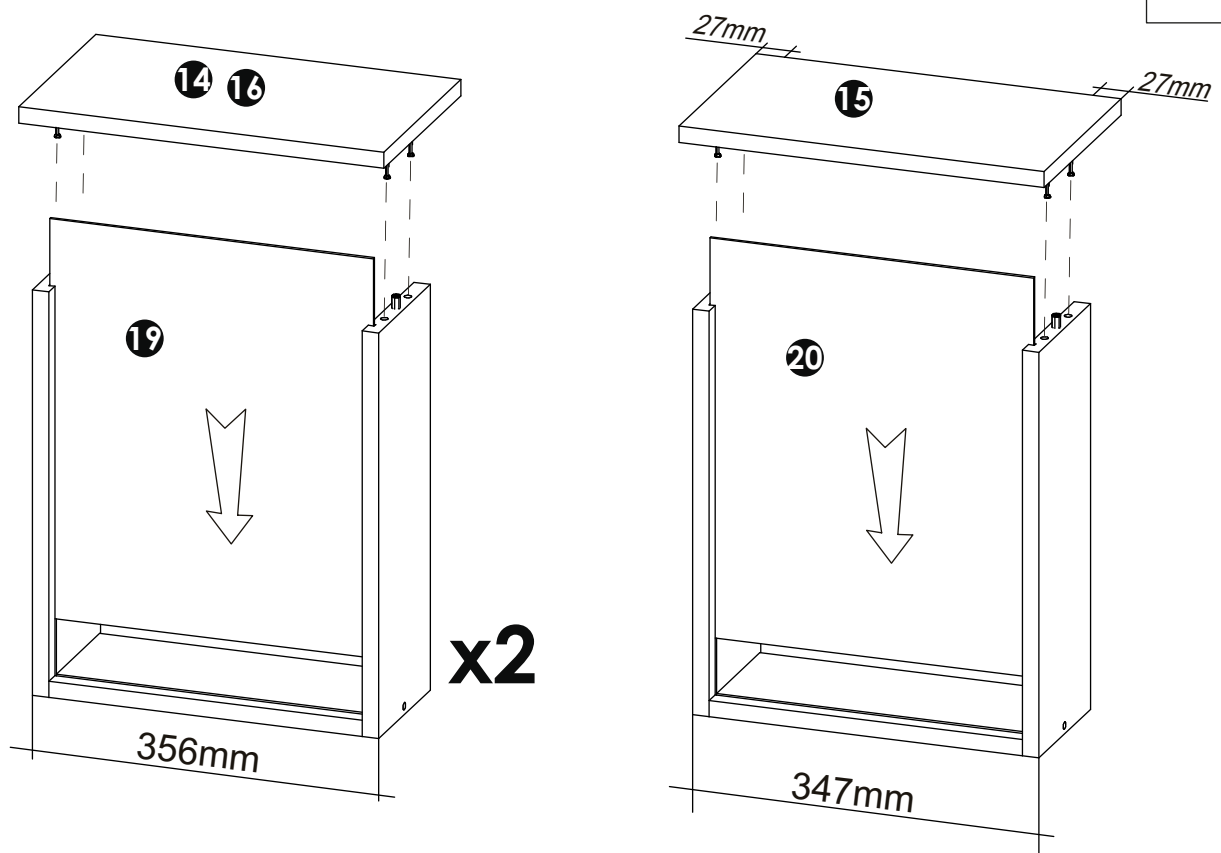
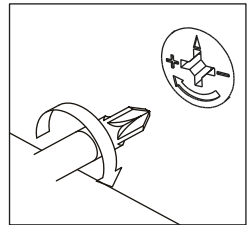
20▶

(B1)	f 7 x 50 mm	x6	(K)		x1
				4mm	


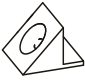


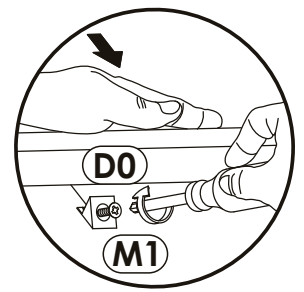
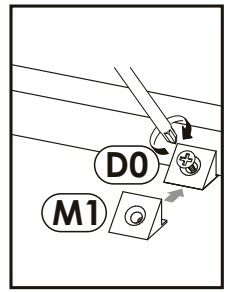
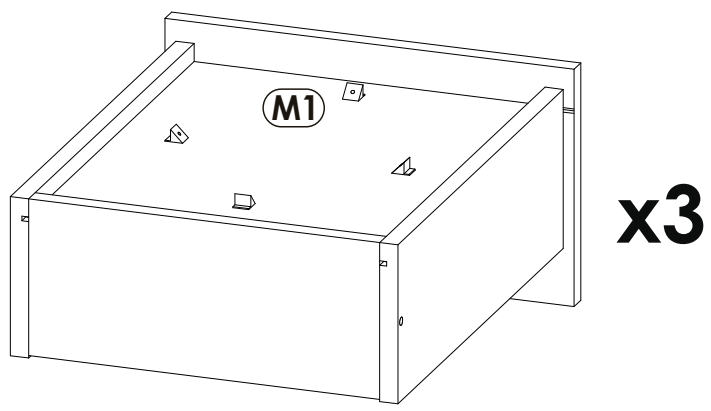
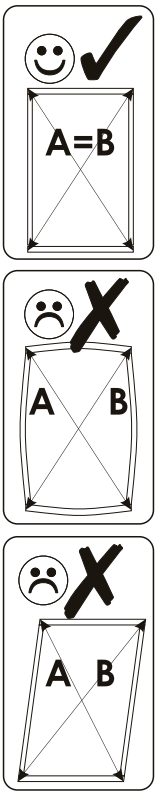
x3

21▶

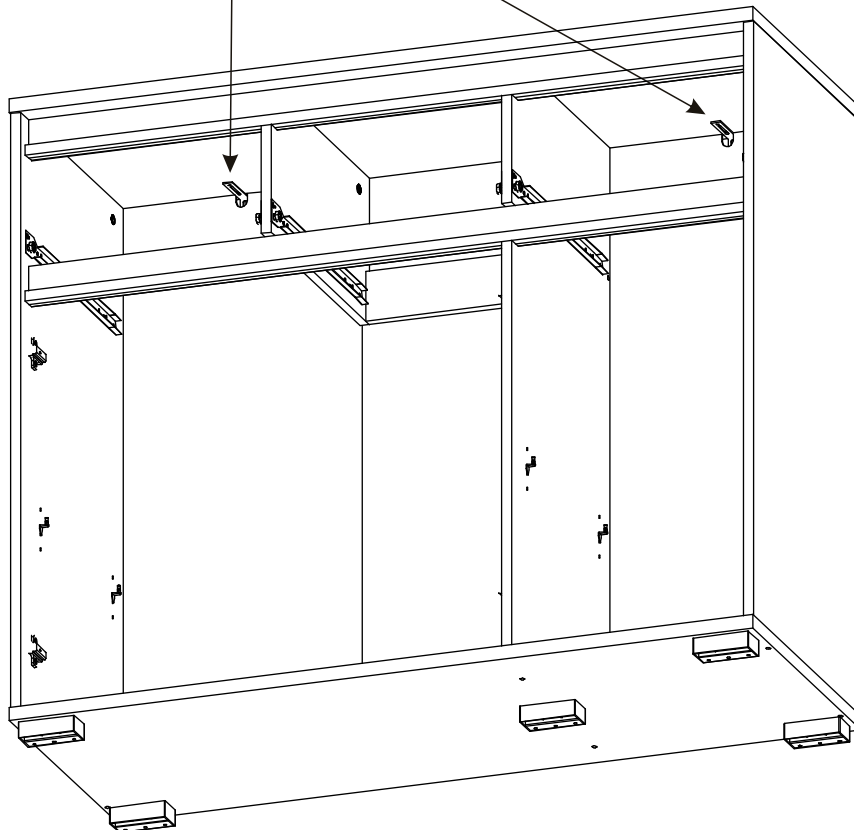
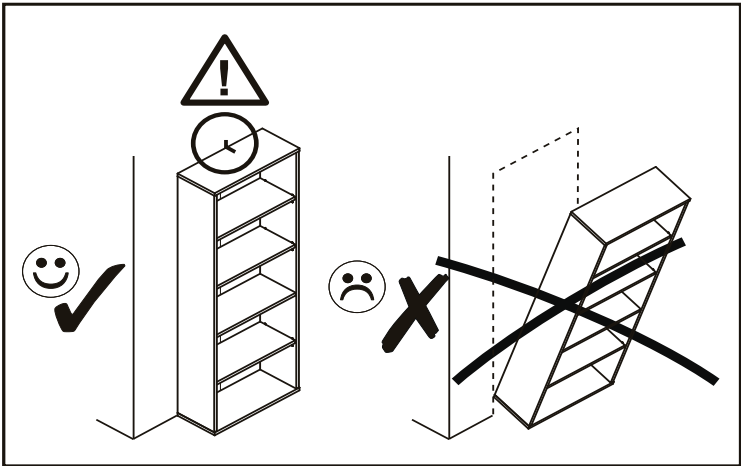
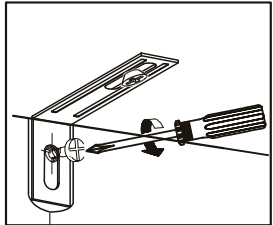
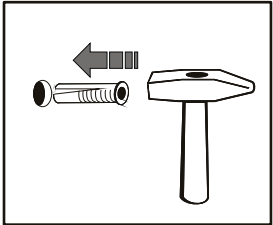
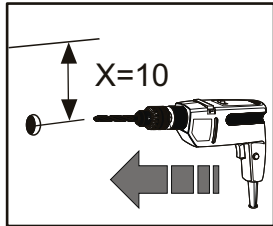
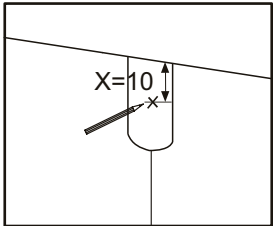
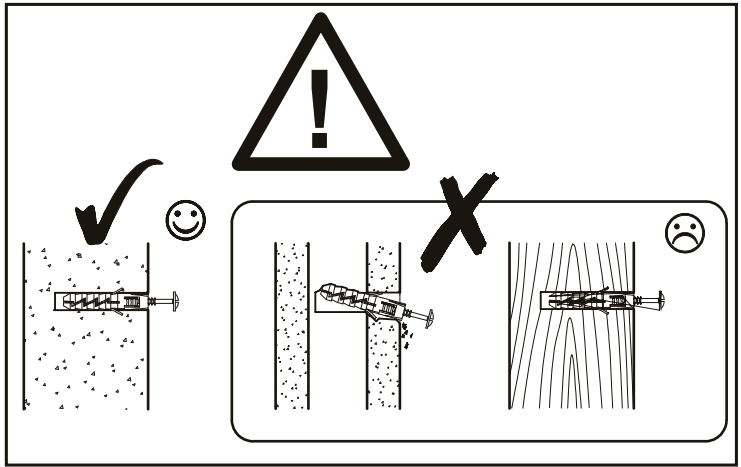
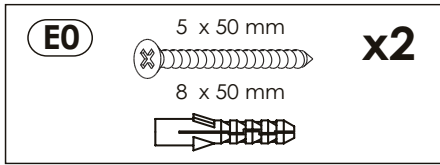


22▶

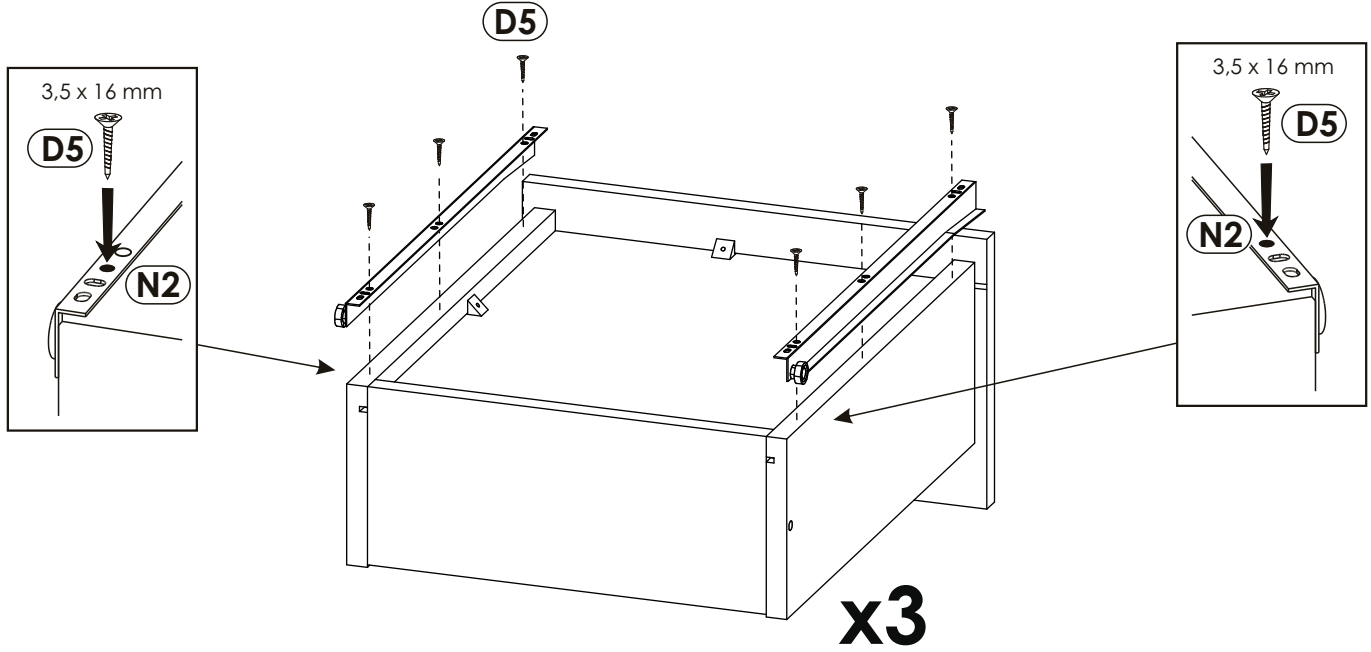
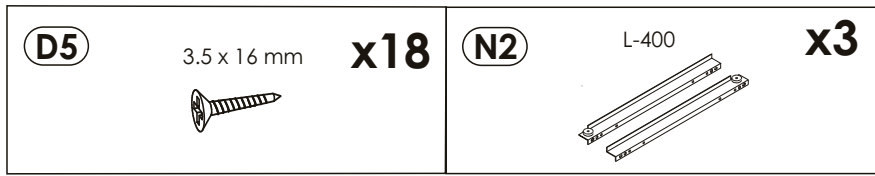
(D0)	3 x 15 mm	x12	(M1)		x12
					



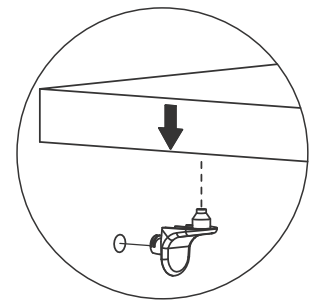
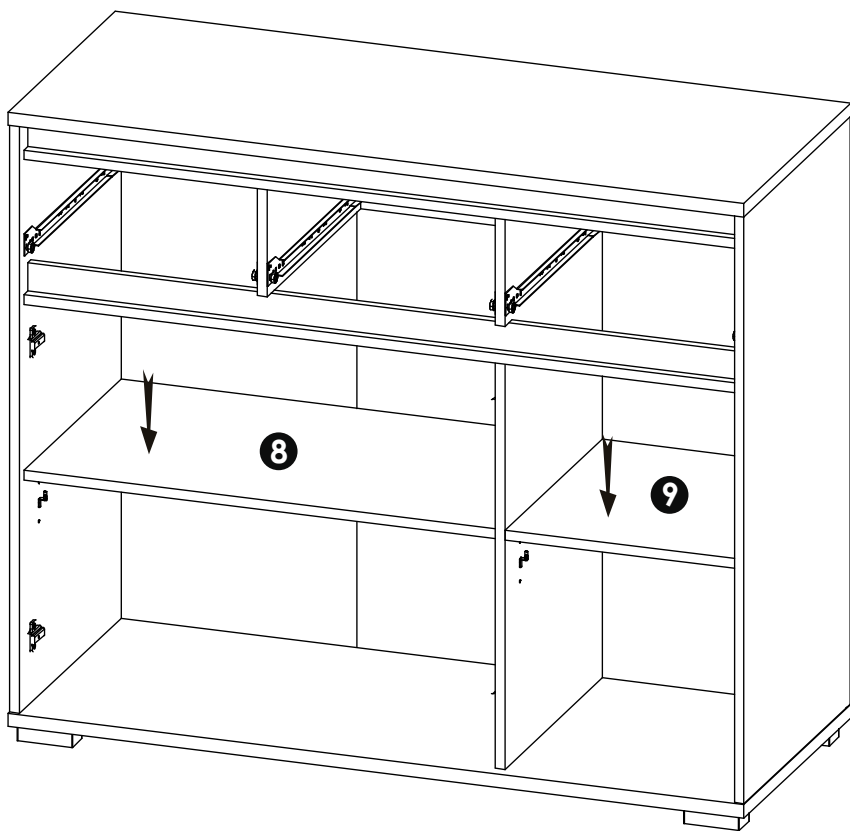
23 ▶



24▶



25▶



26▶

