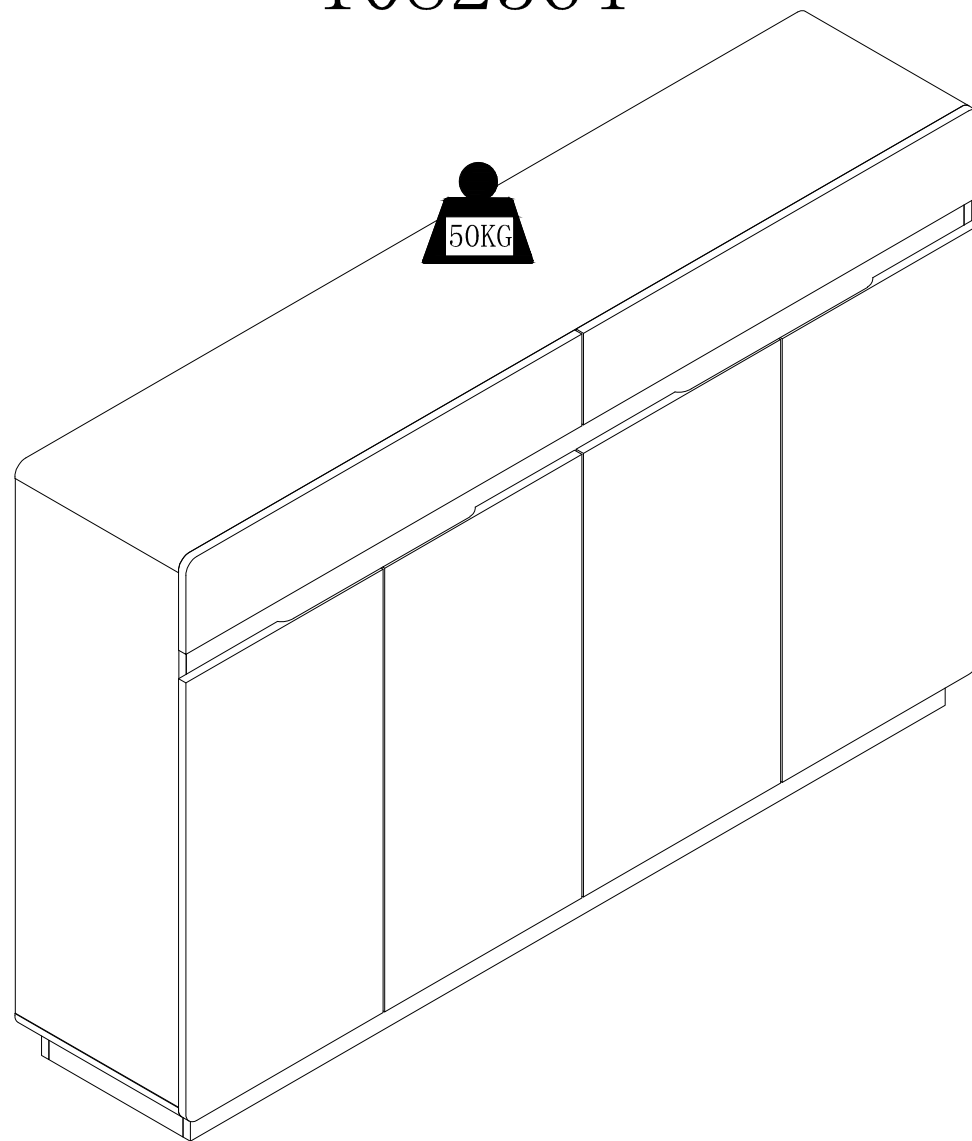


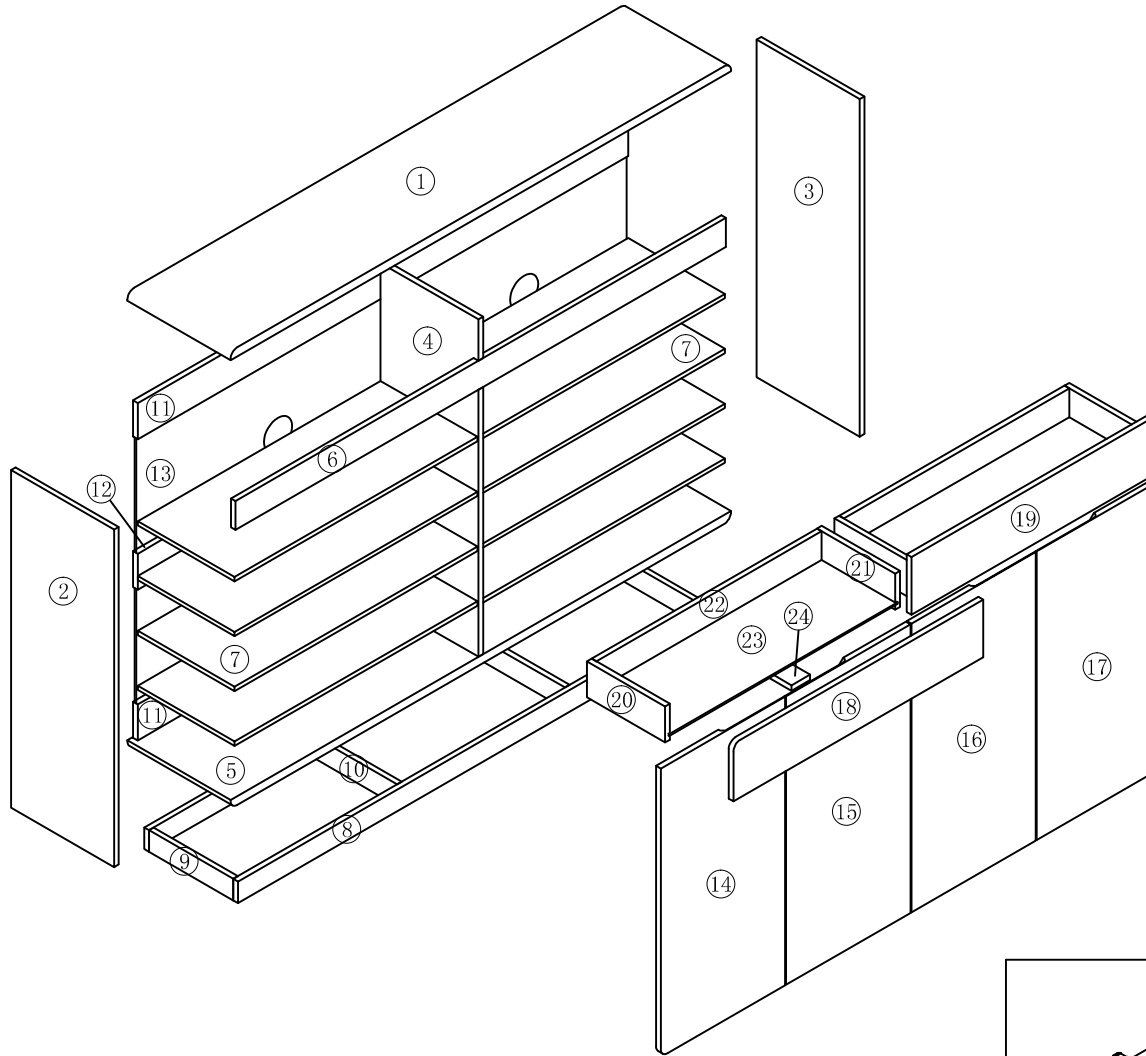
07990009-02

1082364

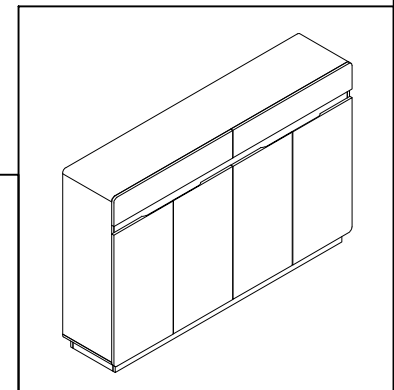
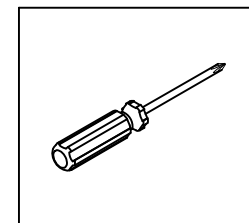


No	Part	Qty
1	top board	1
2	left side board	1
3	right side board	1
4	middle board	1
5	bottom board	1
6	front brace	1
7	shelf	8
8	front/back straight board	2
9	side straight board	2
10	middle straight board	2
11	top/bottom straight board	2
12	middle straight board	1
13	back board	2
14	left side door	1
15	left middle door	1
16	right side door	1
17	right middle door	1
18	surface of left drawer	1
19	surface of right drawer	1
20	left board of drawer	2
21	right board of drawer	2
22	back board of drawer	2
23	bottom board of drawer	2
24	holder of drawer	2

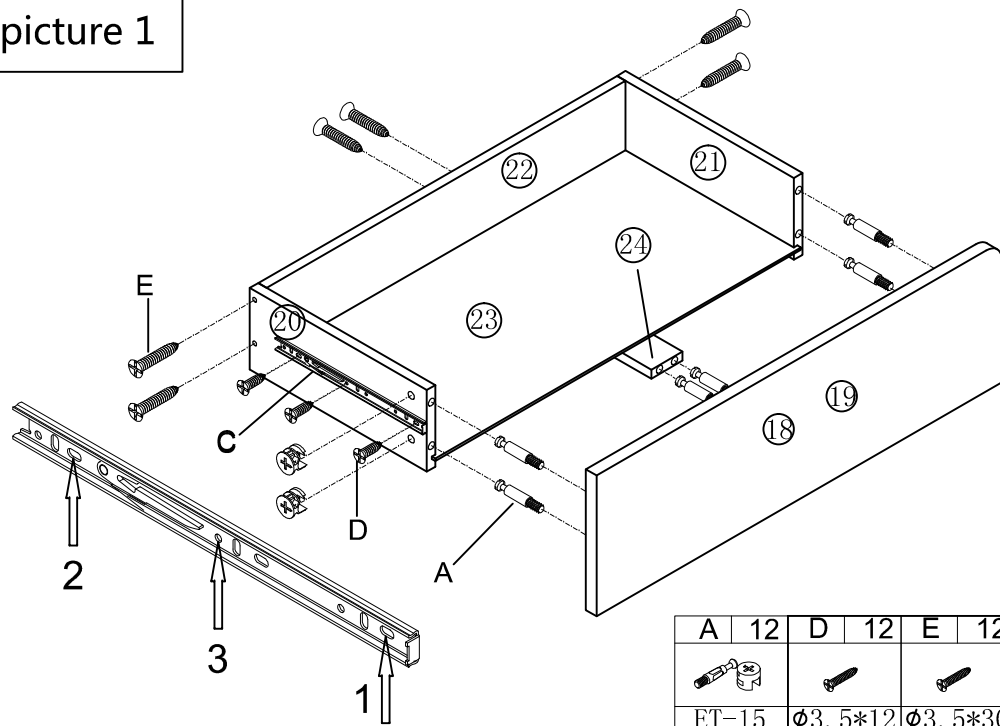
B-441



NO	Part	Qty
A	big three in one ET-15	72
B	dowel $\phi 8 \times 30$	22
C	runner L10"	2
D	screw $\phi 3.5 \times 12$	24
E	screw $\phi 3.5 \times 30$	12
F	shelf holder $\phi 6$	32
G	straight hinge	4
H	small hinge	4
I	screw $\phi 4 \times 14$	48
J	air net $\phi 60$	4
K	colloidal $\phi 8$	2
L	in wall screw $\phi 5 \times 60$	2
M	screw $\phi 3 \times 14$	8
N	triangle bolt	8
O	rubber buffer $\phi 5$	8
P	gasket $\phi 6$	2

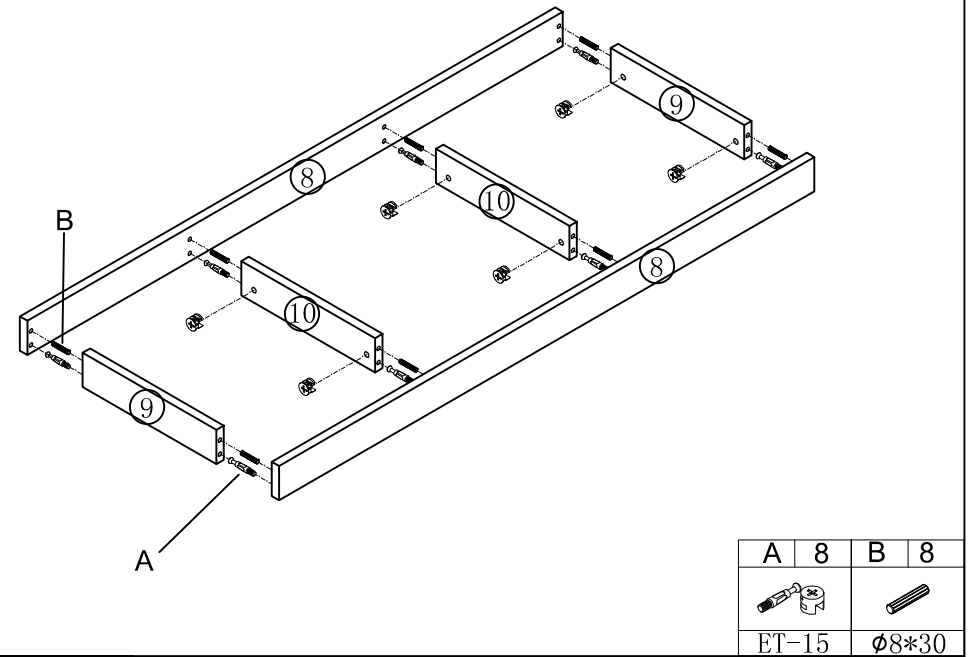


picture 1



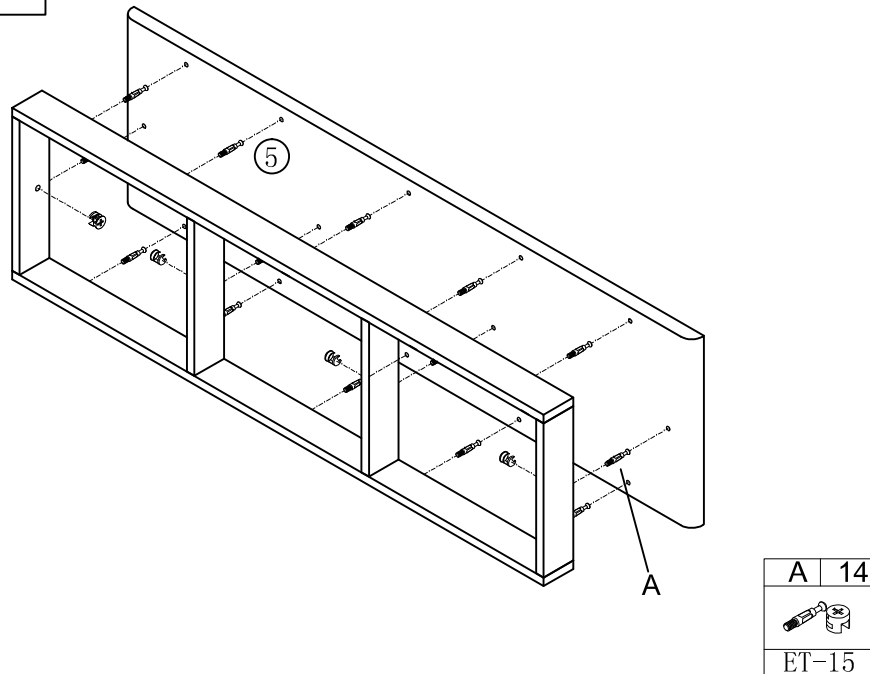
A	12	D	12	E	12
ET-15		∅3.5*12		∅3.5*30	

picture 2



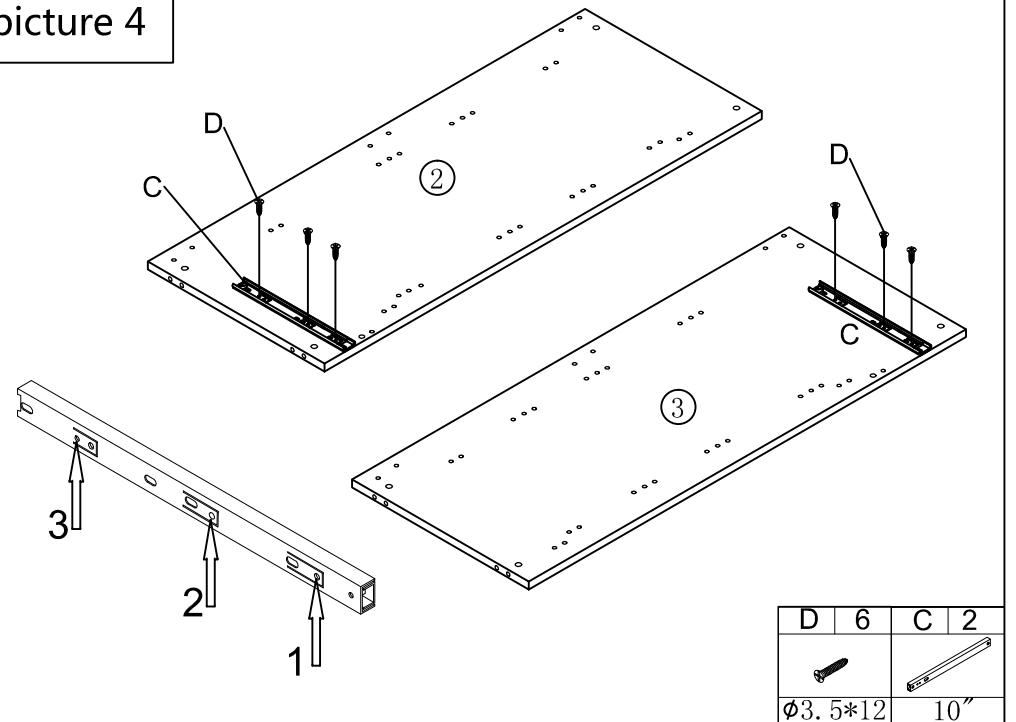
A	8	B	8
ET-15		∅8*30	

picture 3



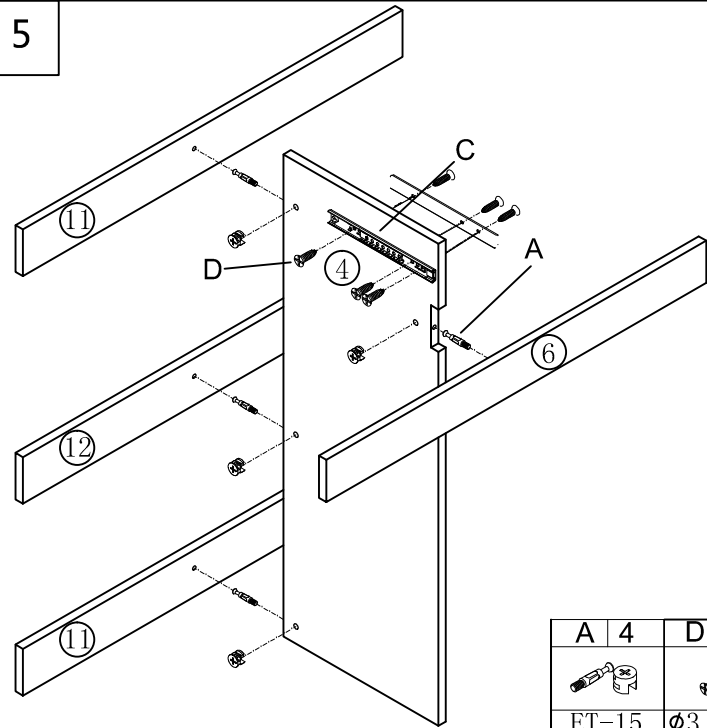
A	14
ET-15	

picture 4



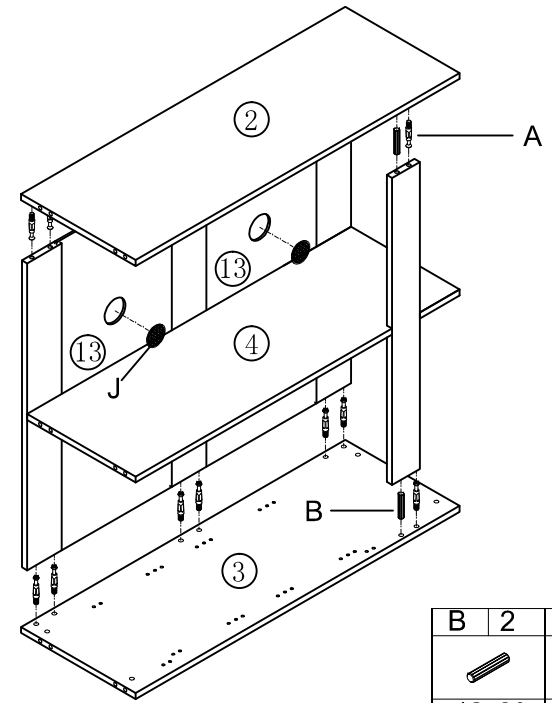
D	6	C	2
∅3.5*12		10"	

picture 5



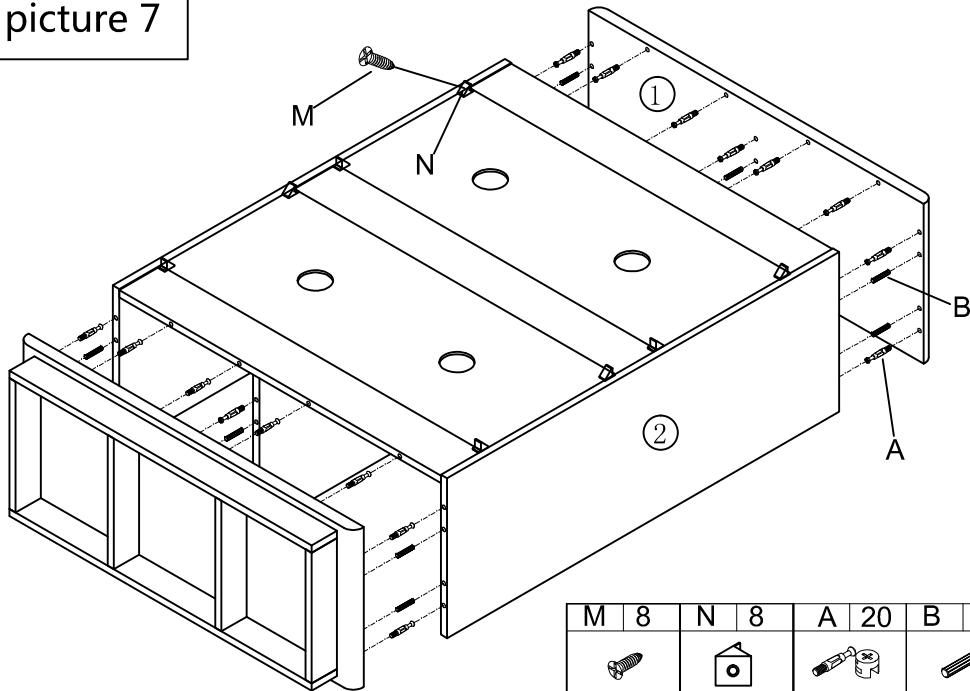
A	4	D	6	C	2
ET-15		∅3.5*12		10"	

picture 6



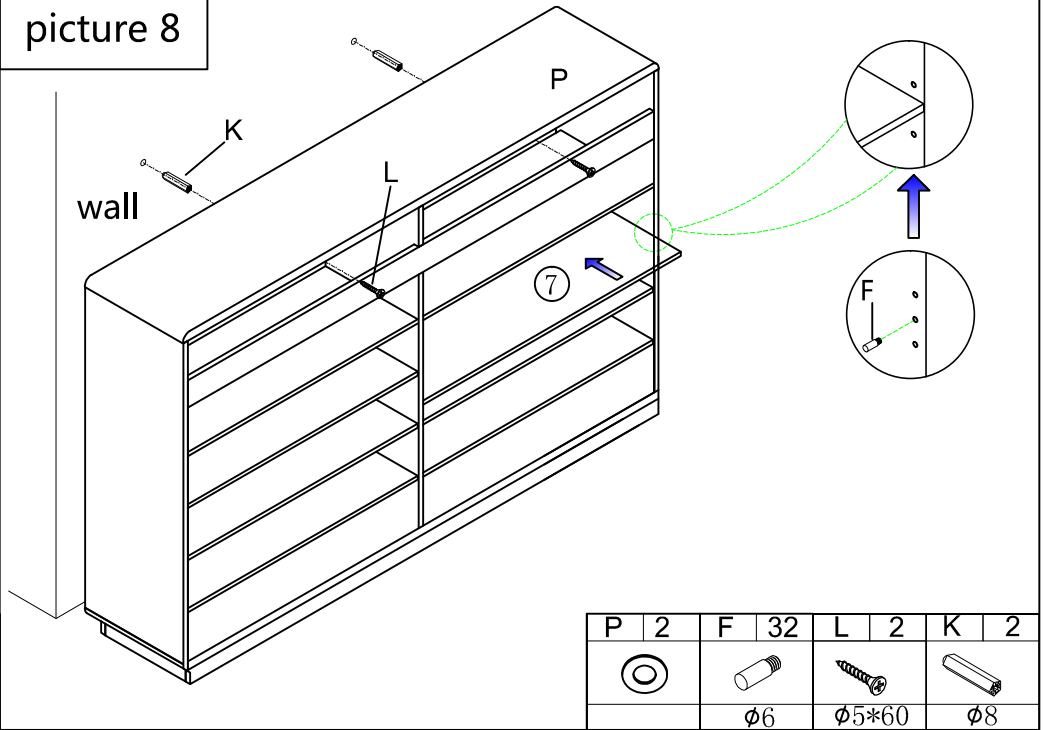
B	2	J	4	A	14
∅8*30		∅60		ET-15	

picture 7



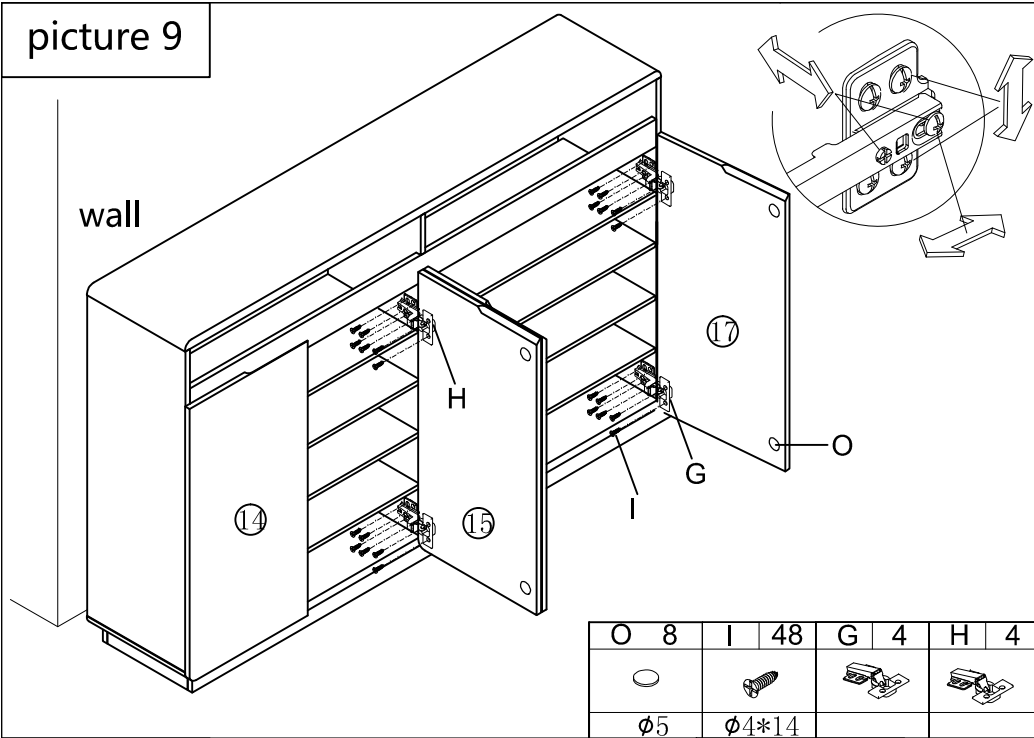
M	8	N	8	A	20	B	12
∅3*14				ET-15		∅8*30	

picture 8

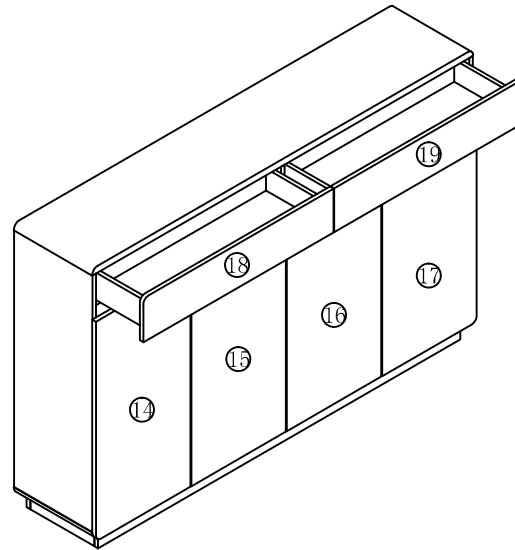


P	2	F	32	L	2	K	2
		∅6		∅5*60		∅8	

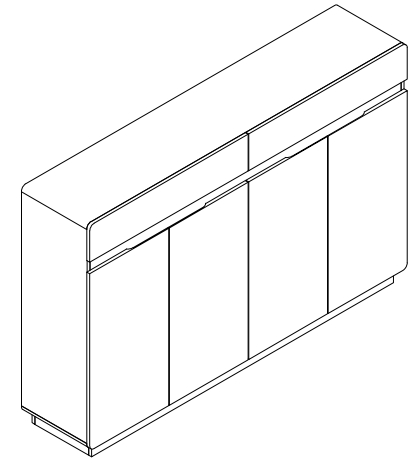
picture 9



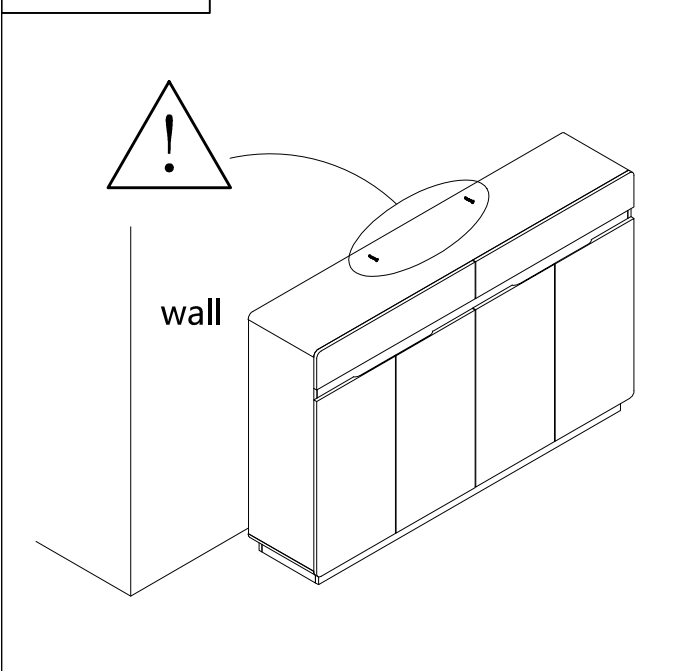
picture 10



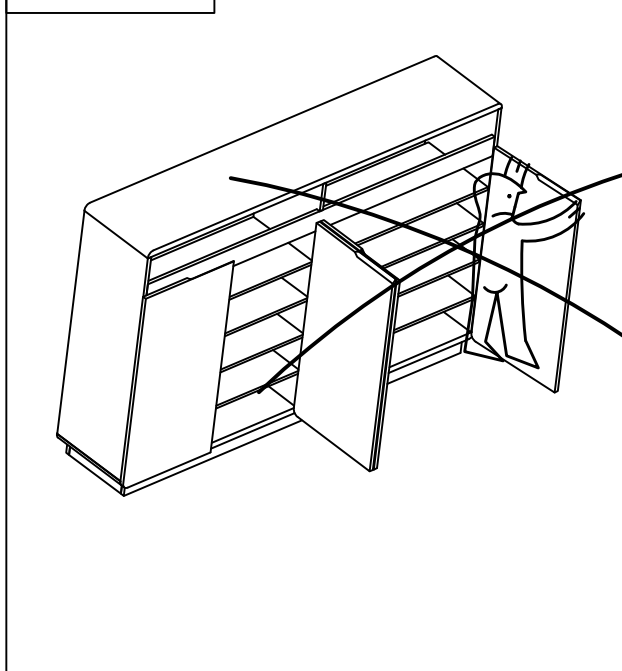
picture 11



picture 12



picture 13



picture 14

