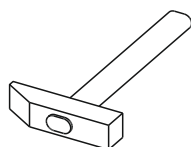
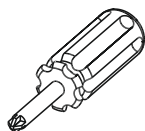
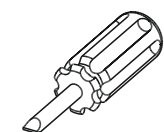
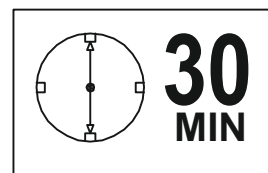
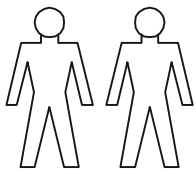
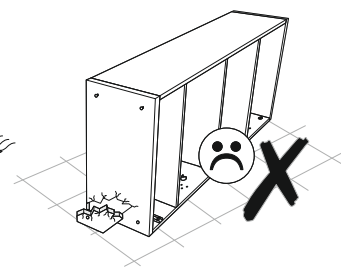
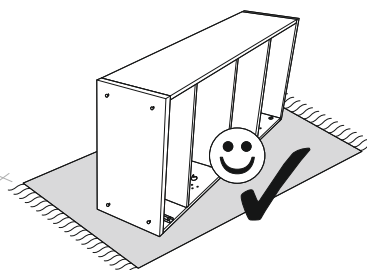
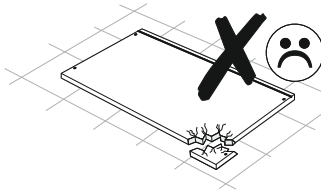
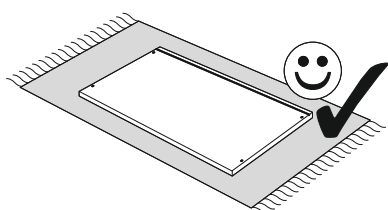
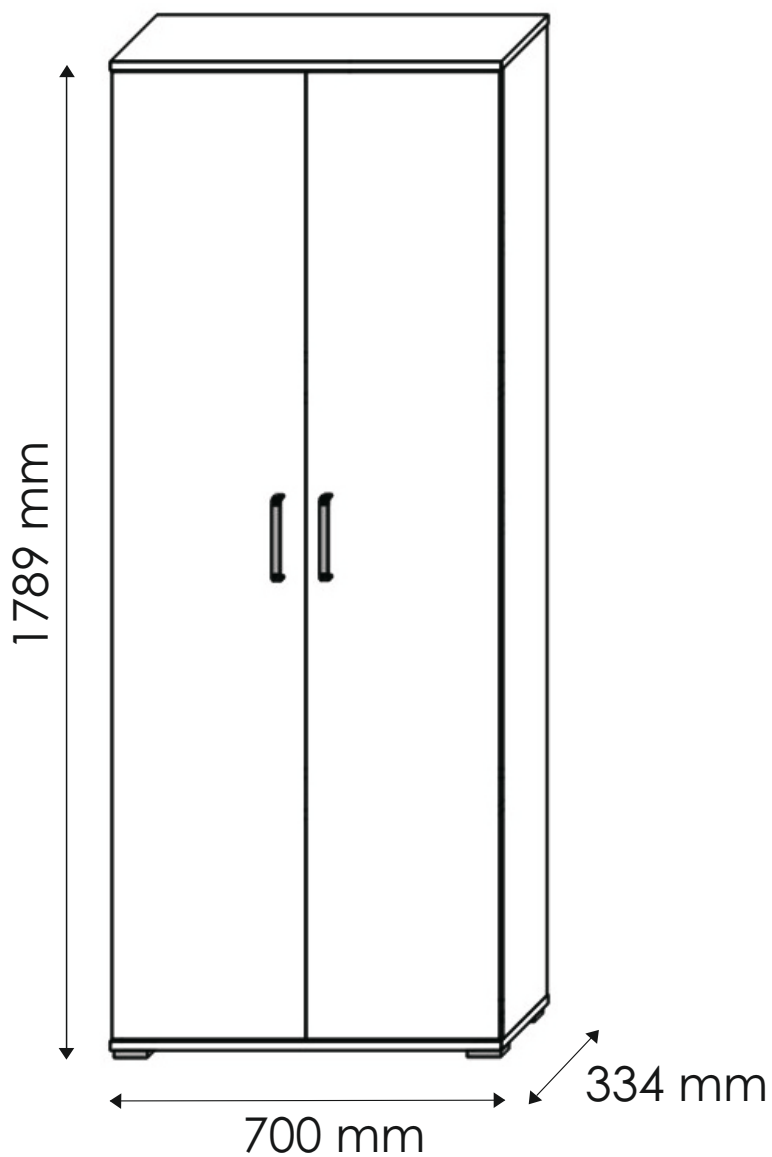



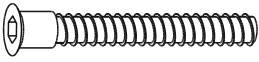



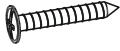

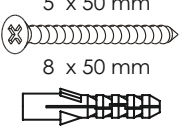
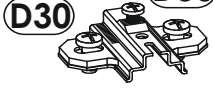


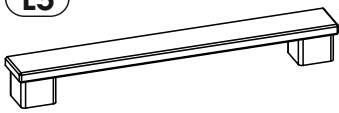

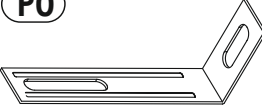
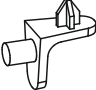
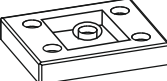

ALEX/JIMMY-SCHUHSCHRANK

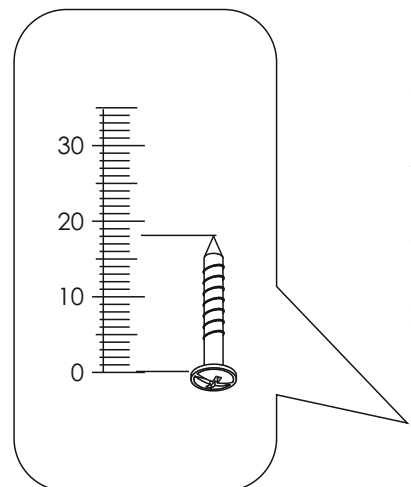
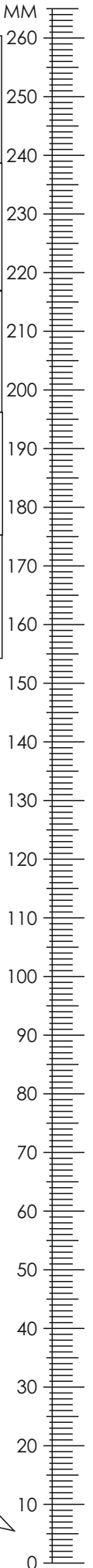
00030005/01
00030023/03
00030023/04

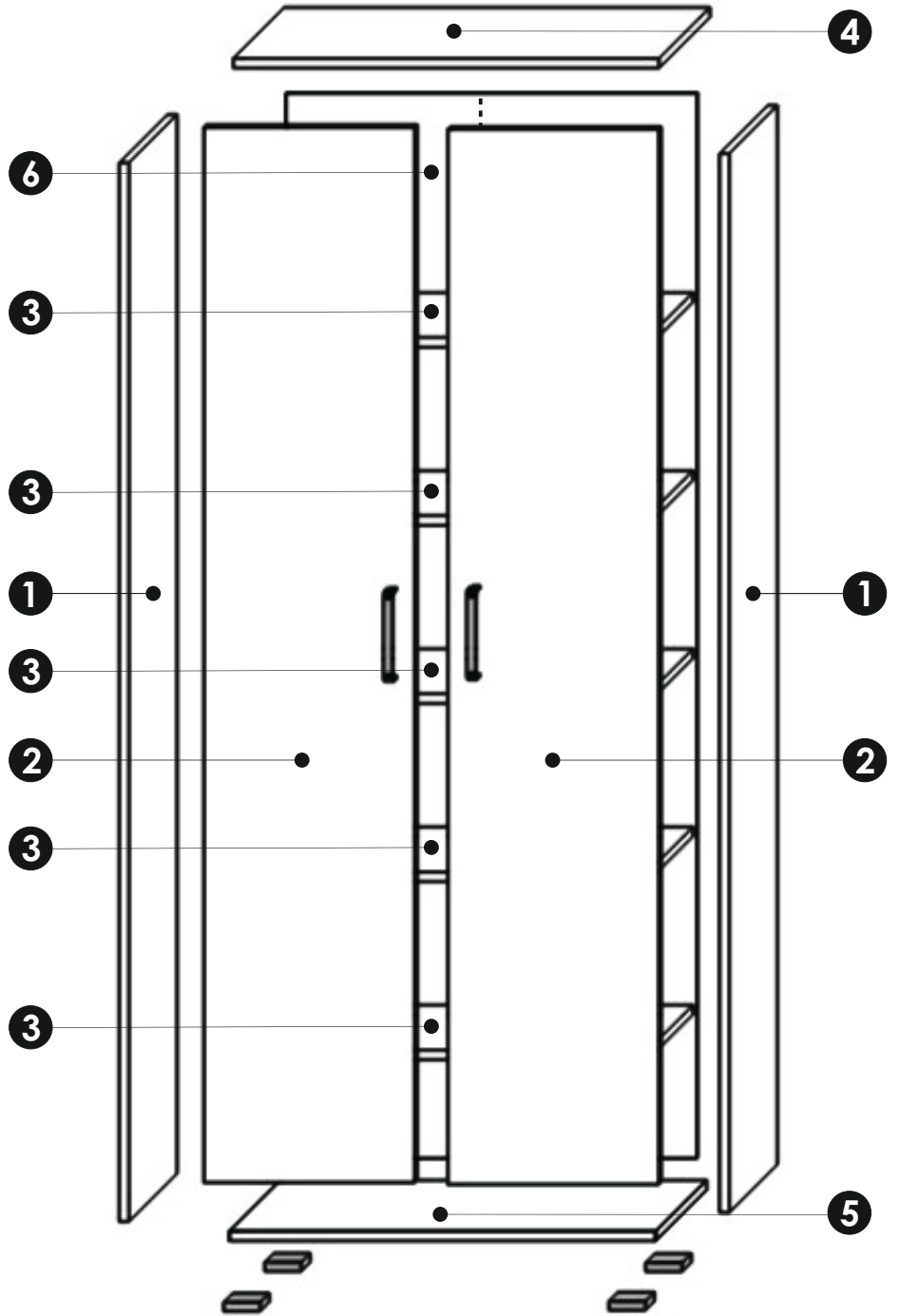
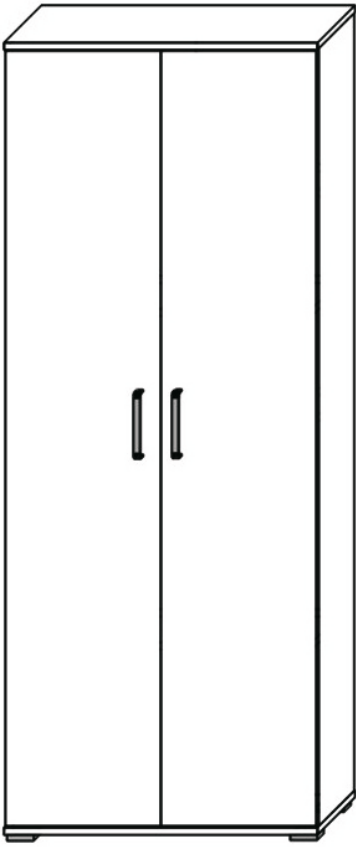


Ø8



A0 8 x 32mm x4 	B1 f 7 x 50 mm x8 	D0 3 x 15 mm x12 
D10 4 x 16 mm x12 	D12 4 x 25 mm x16 	D16 4,2 x 28 mm x4 
D21 5 x 13 mm x1 	E0 5 x 50 mm 8 x 50 mm x1 	J6 D30 D30 x6 
J8 x6 	K 4mm x1 	L5 x2 
M1 x12 	P0 x1 	Q3 x20 
T5 x4 	U0 x4 	



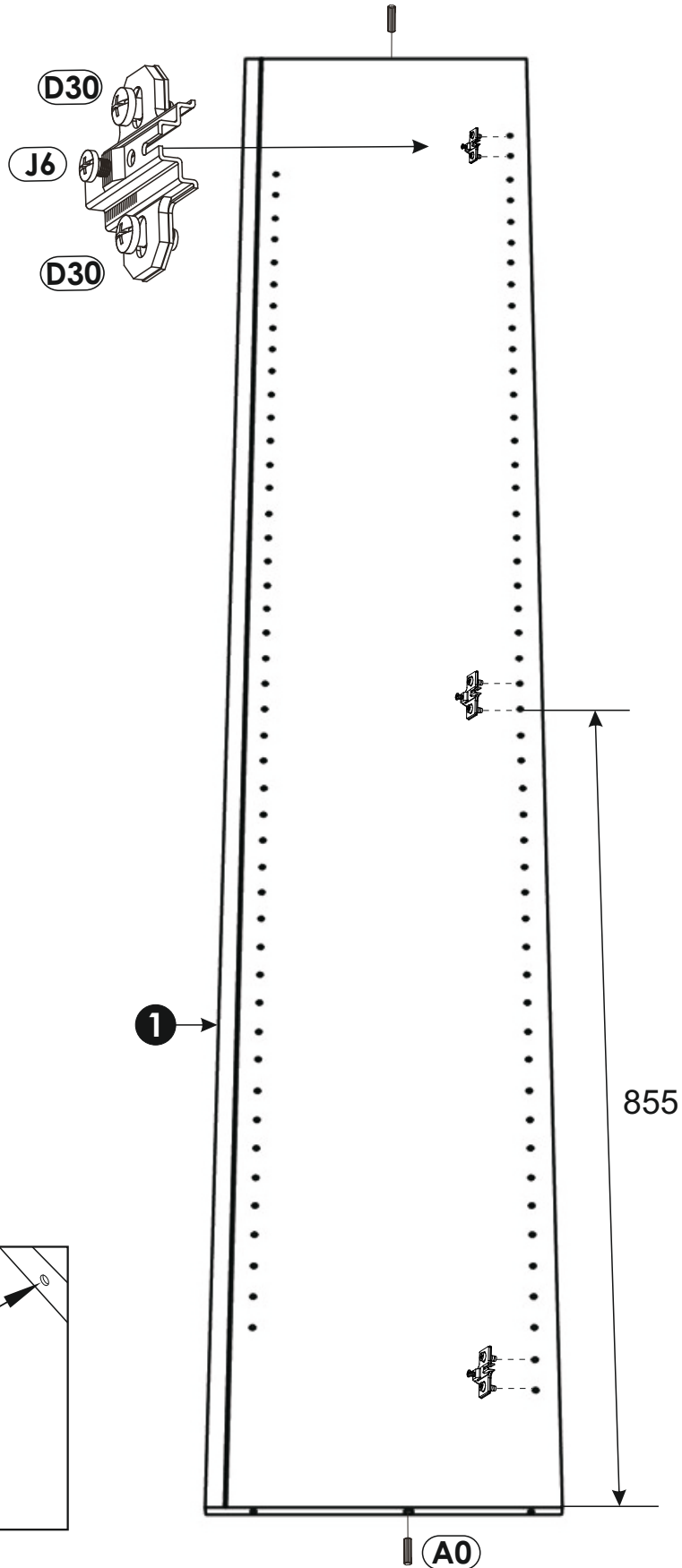



1	1742	316	16	x2	1/2
2	1736	347	16	x2	1/2
3	666	295	16	x5	2/2
4	700	334	16	x1	2/2
5	700	334	16	x1	2/2
6	1752	676	3	x1	1/2

					2/2
--	--	--	--	--	-----

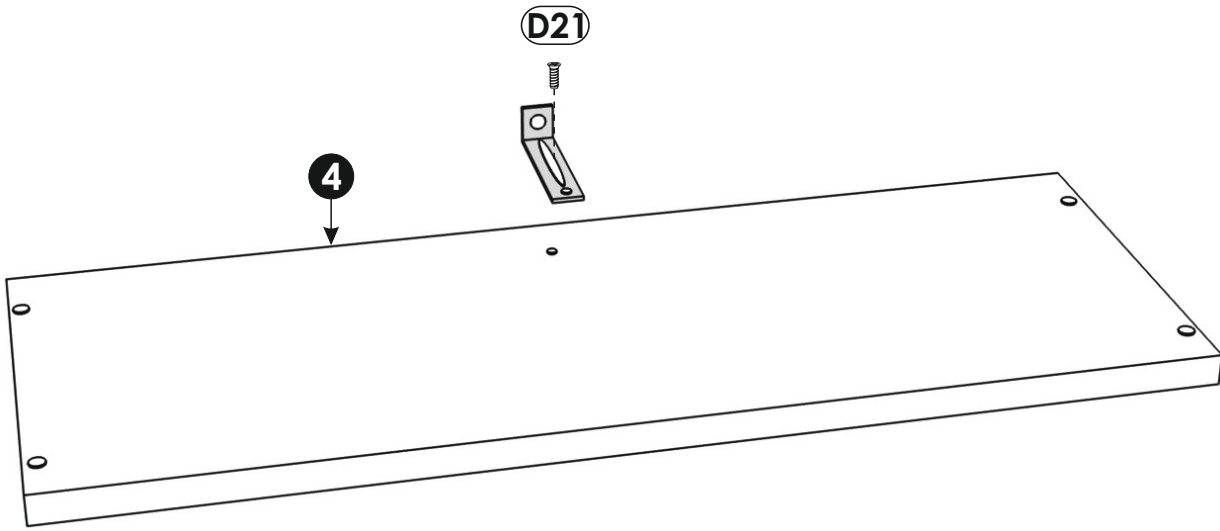
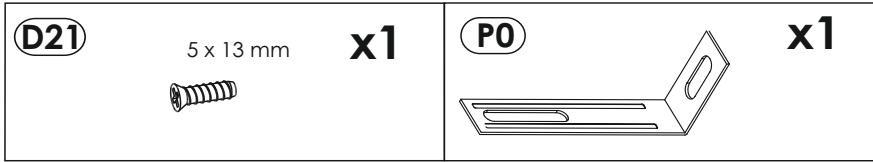
1 ▶

A0	8 x 32mm	x4	J6	D30	x6
-----------	----------	-----------	-----------	------------	-----------

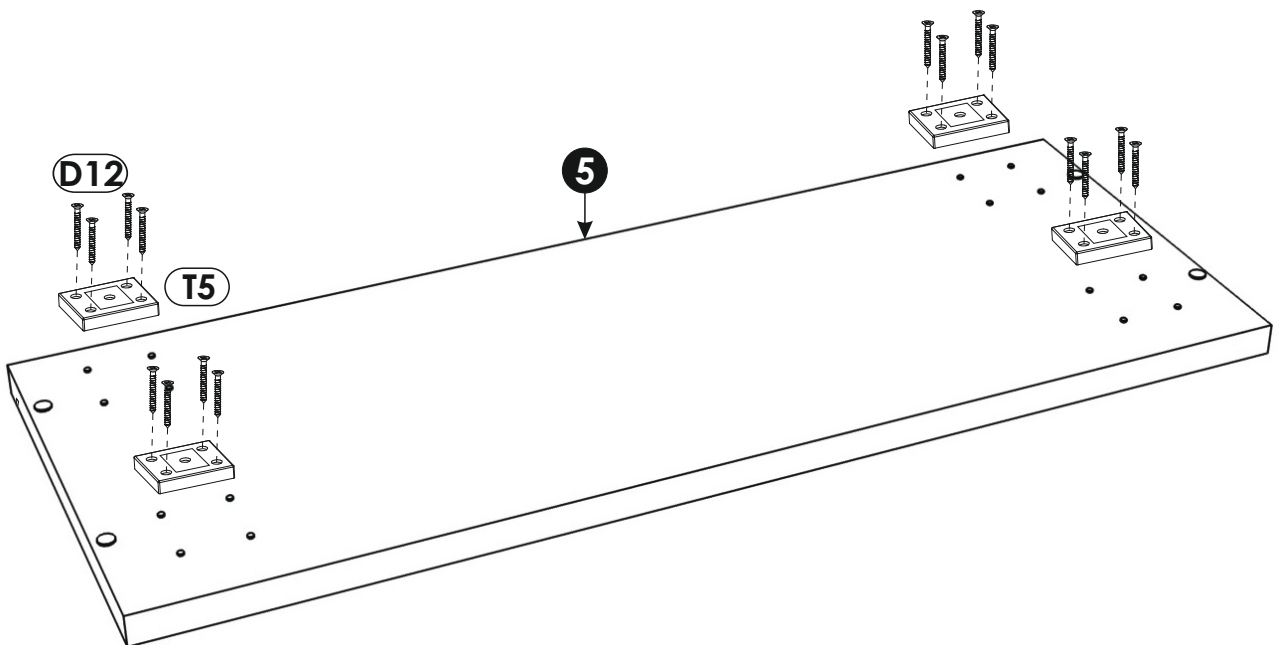
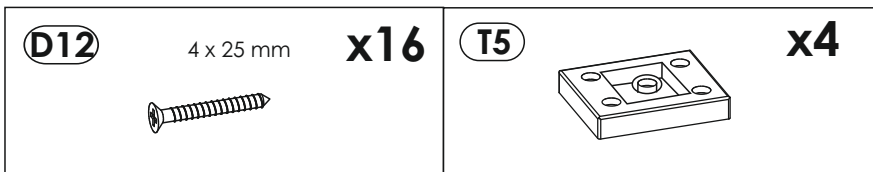


x2

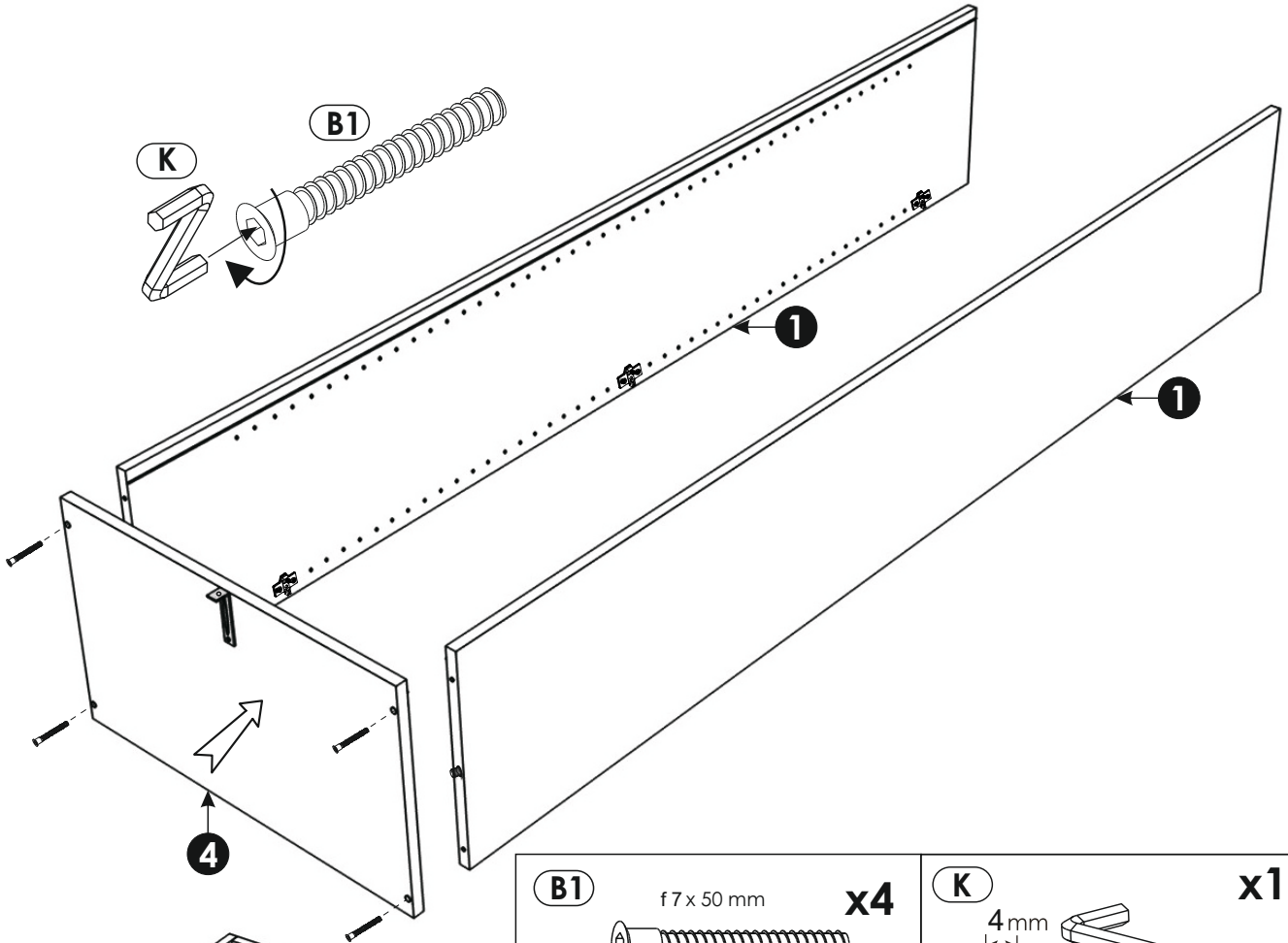
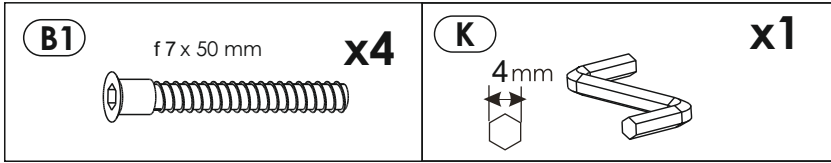
2 ▶



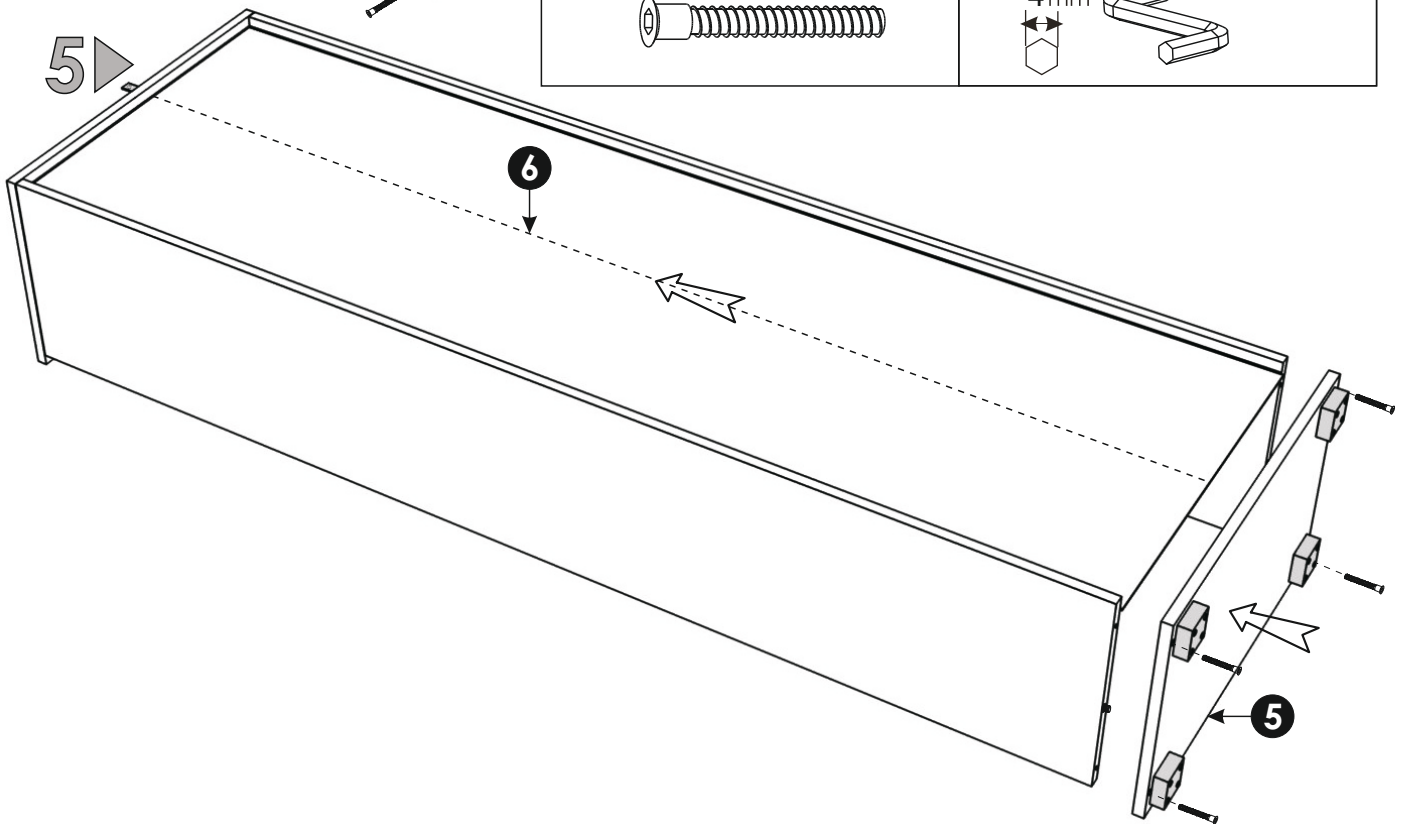
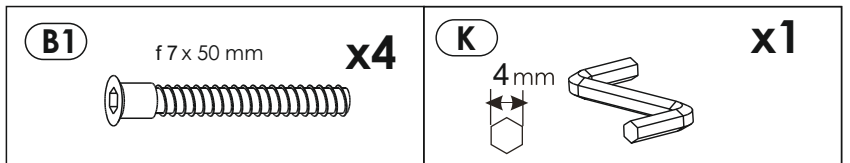
3 ▶





4 ▶

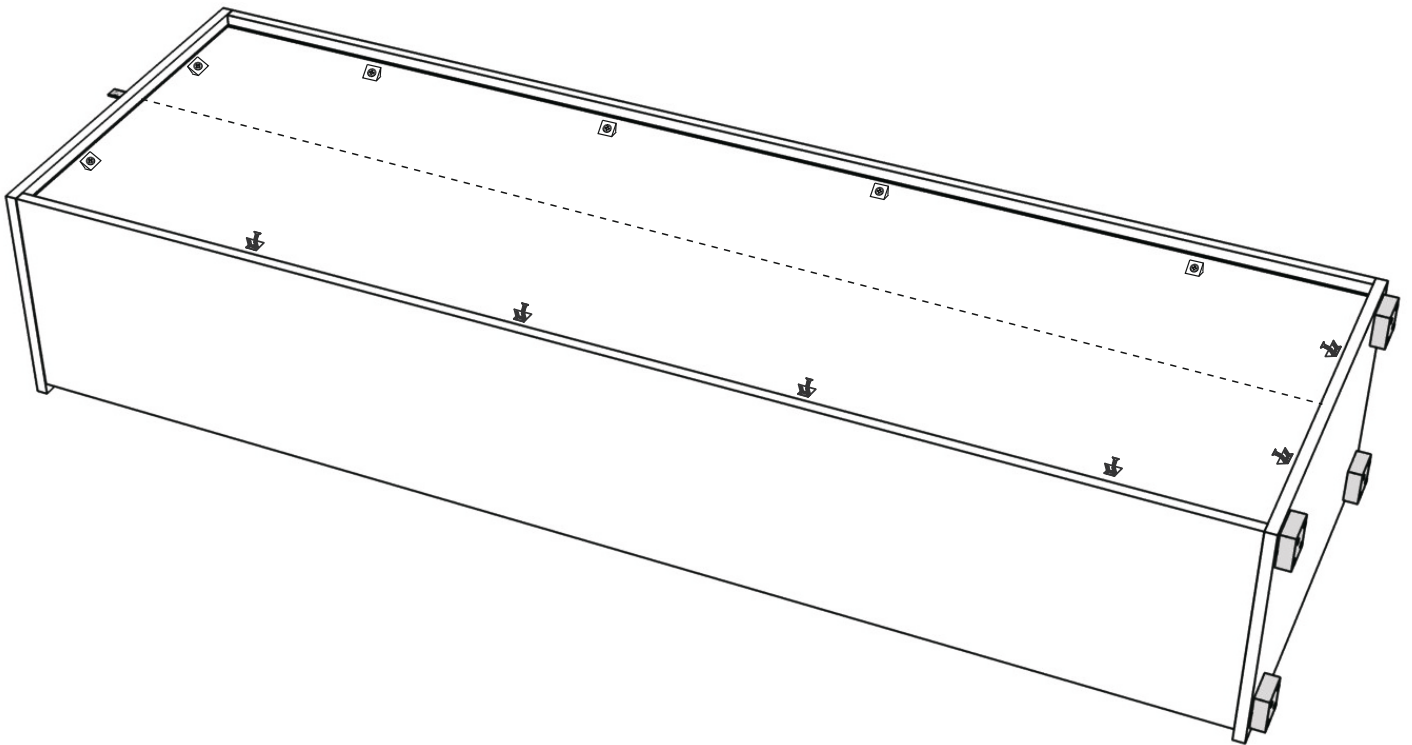
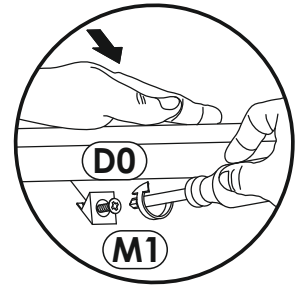
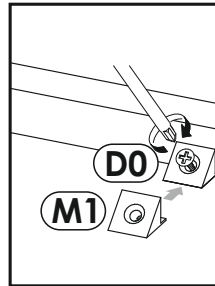
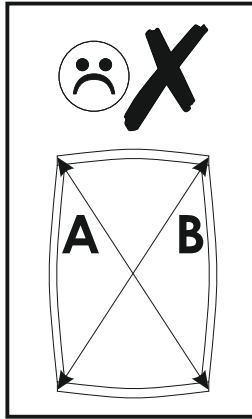
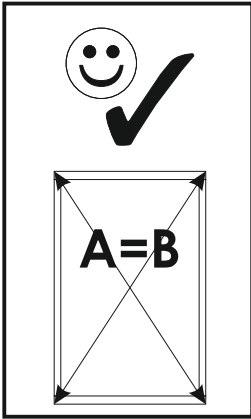


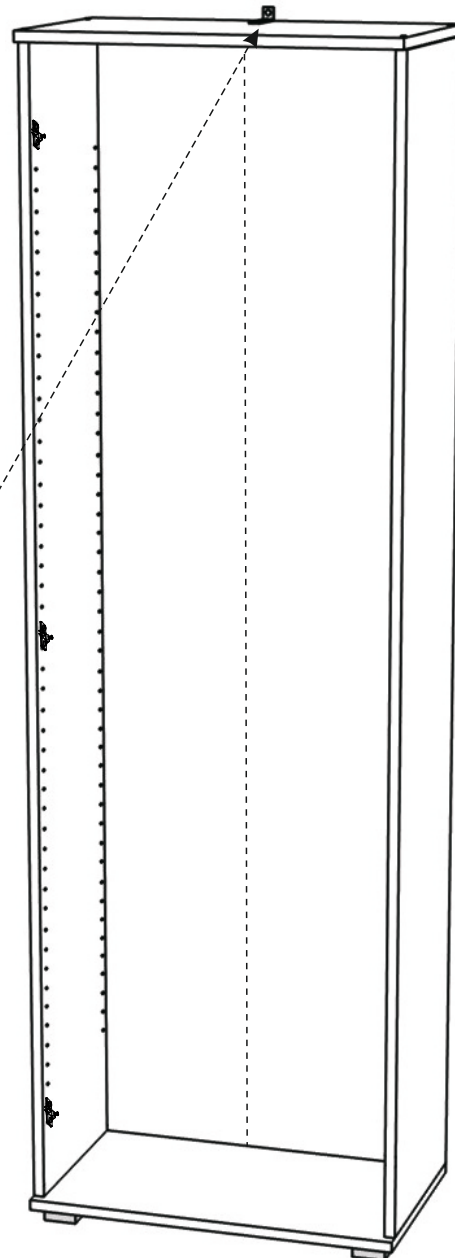
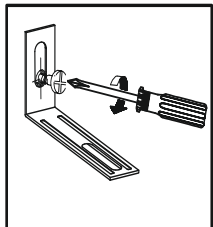
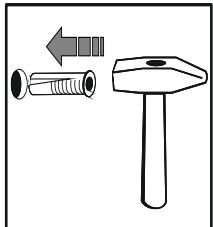
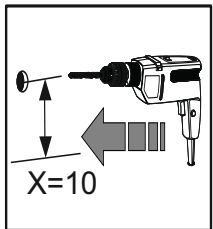
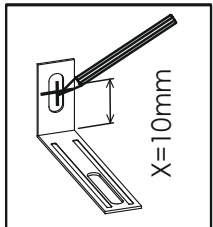
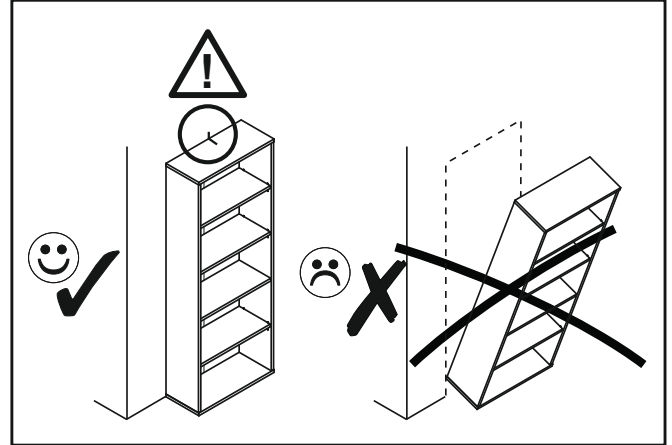
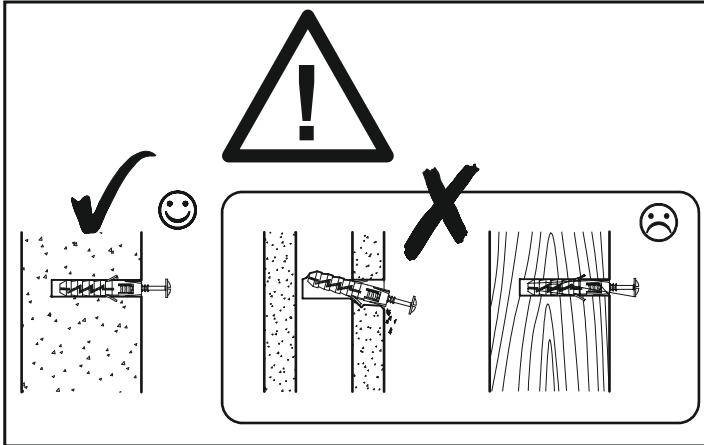
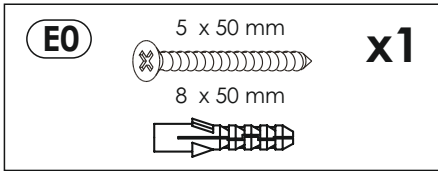
5 ▶





6 ▶

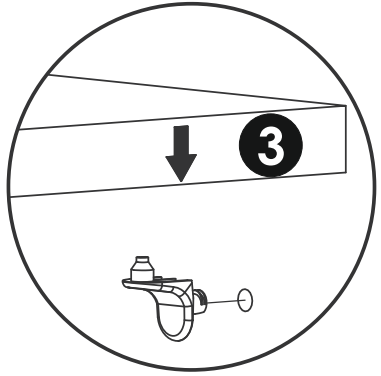
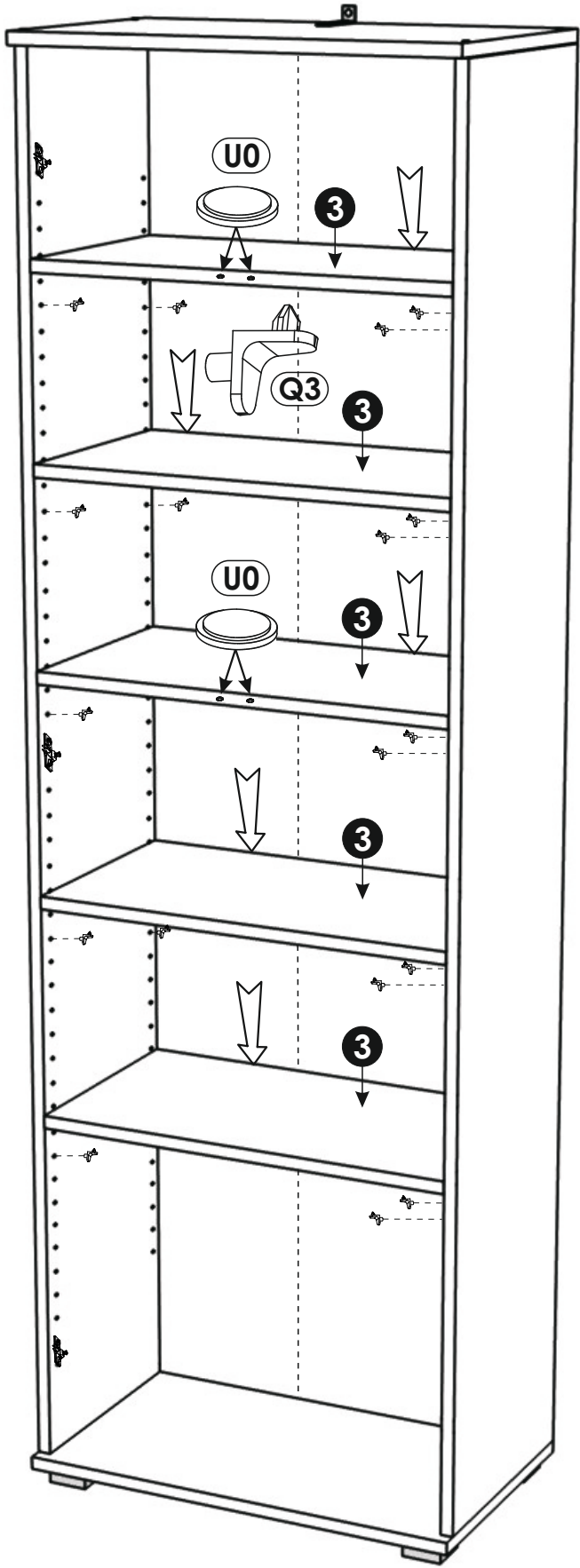
(D0)	3 x 15 mm	x12	(M1)		x12
					



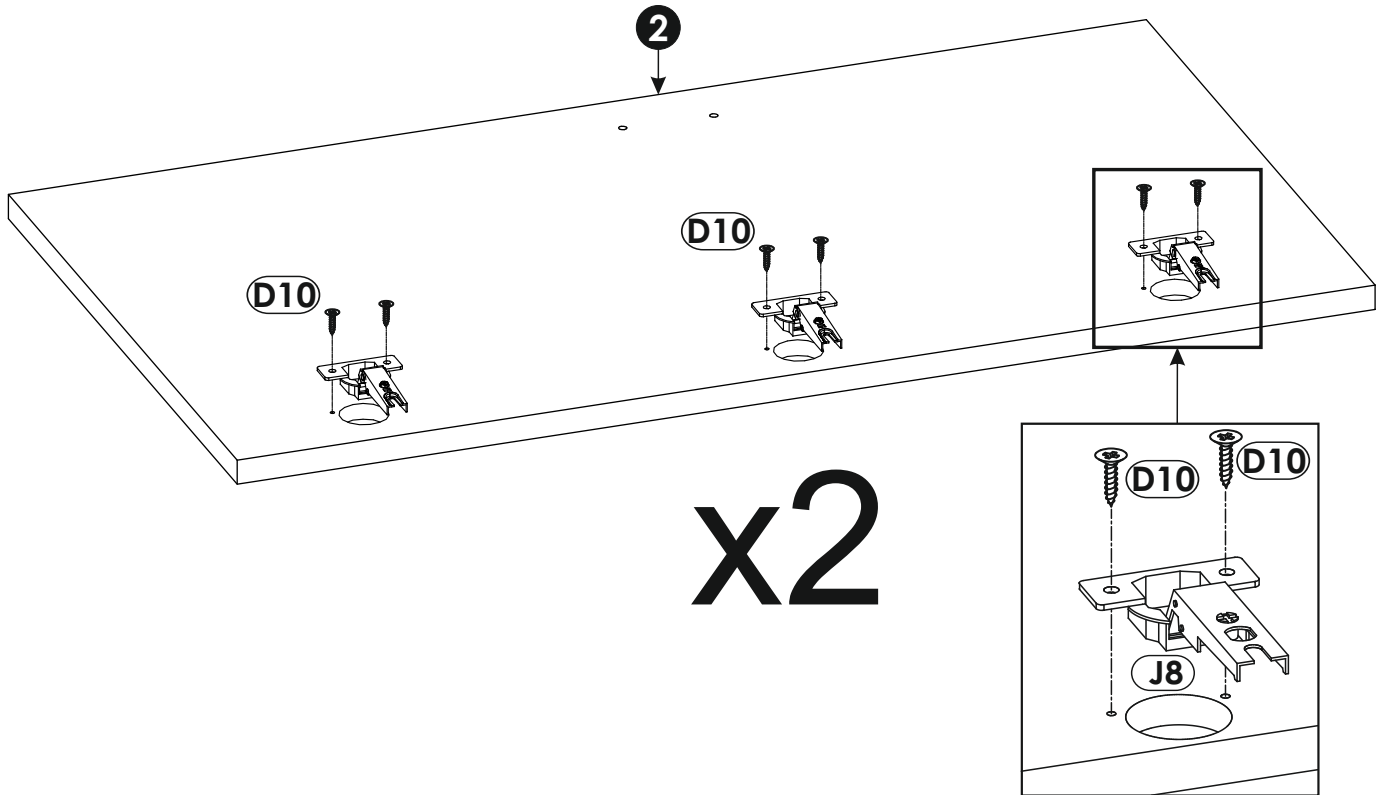
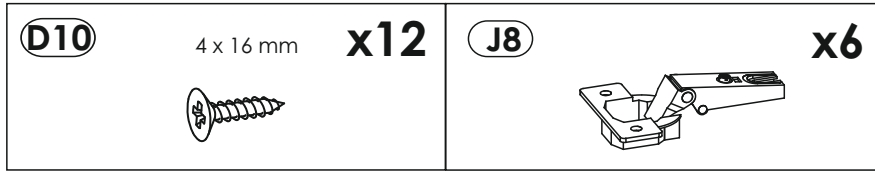


8 ▶

<p>Q3</p>  <p>x20</p>	<p>U0</p>  <p>x4</p>
--	--



9 ▶



10 ▶

