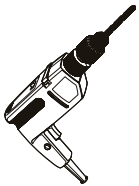
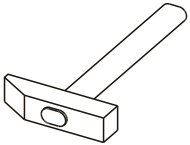
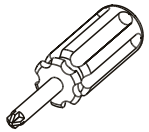
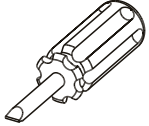
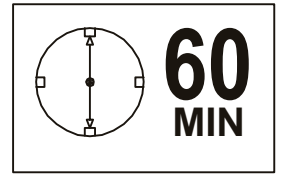
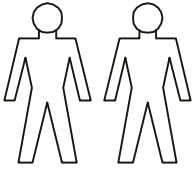
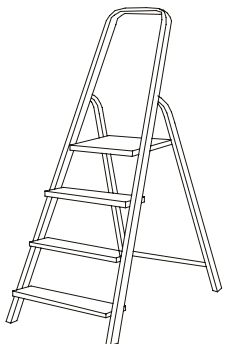


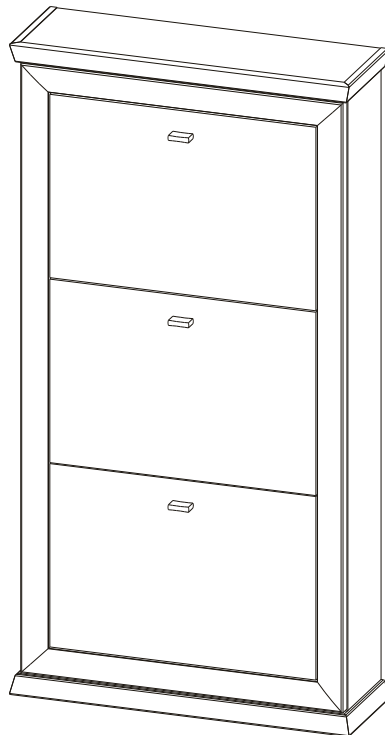
CAMRON - Schuhkipper, TYP B70/B90



Ø8

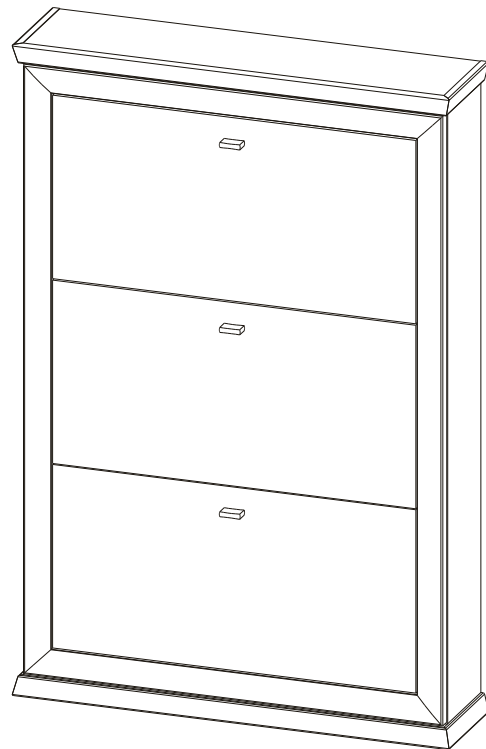


TYP B70



700 mm

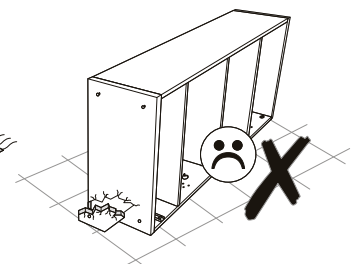
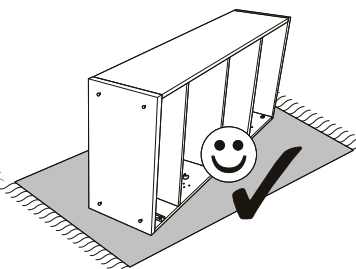
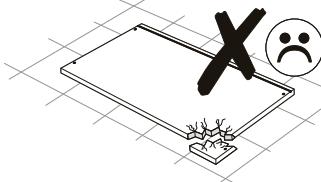
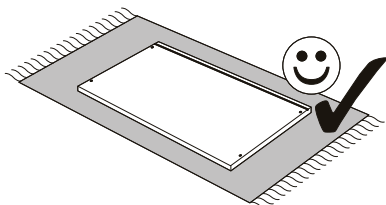
TYP B90



902 mm






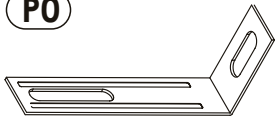
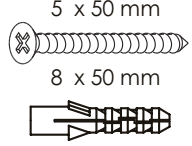






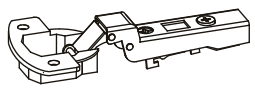
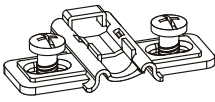


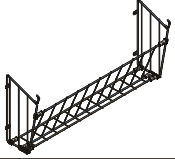
1344 mm

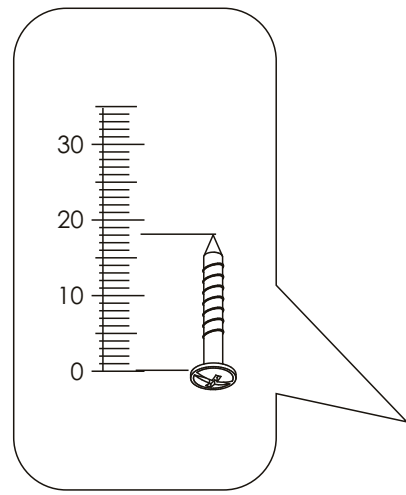
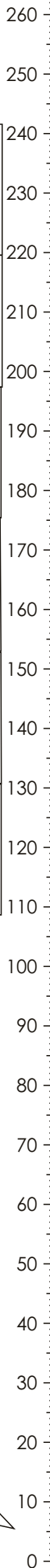
225 mm



CAMRON - Schuhkipper, TYP B70/B90


MM

D0 3 x 15 mm x16 	D8 3,5 x 13 mm x12 	D10 4 x 16 mm x12 
U3  x6	U0  x6	P0  x1
E0 5 x 50 mm 8 x 50 mm  x1	D21 5 x 13 mm  x1	K 4mm  x1
B1 f 7 x 50 mm  x10	U2  x4	C2  x14
M1  x16	J1  x6	J3  x6
L6  x3	H2 4 x 22 mm  x6	 x3




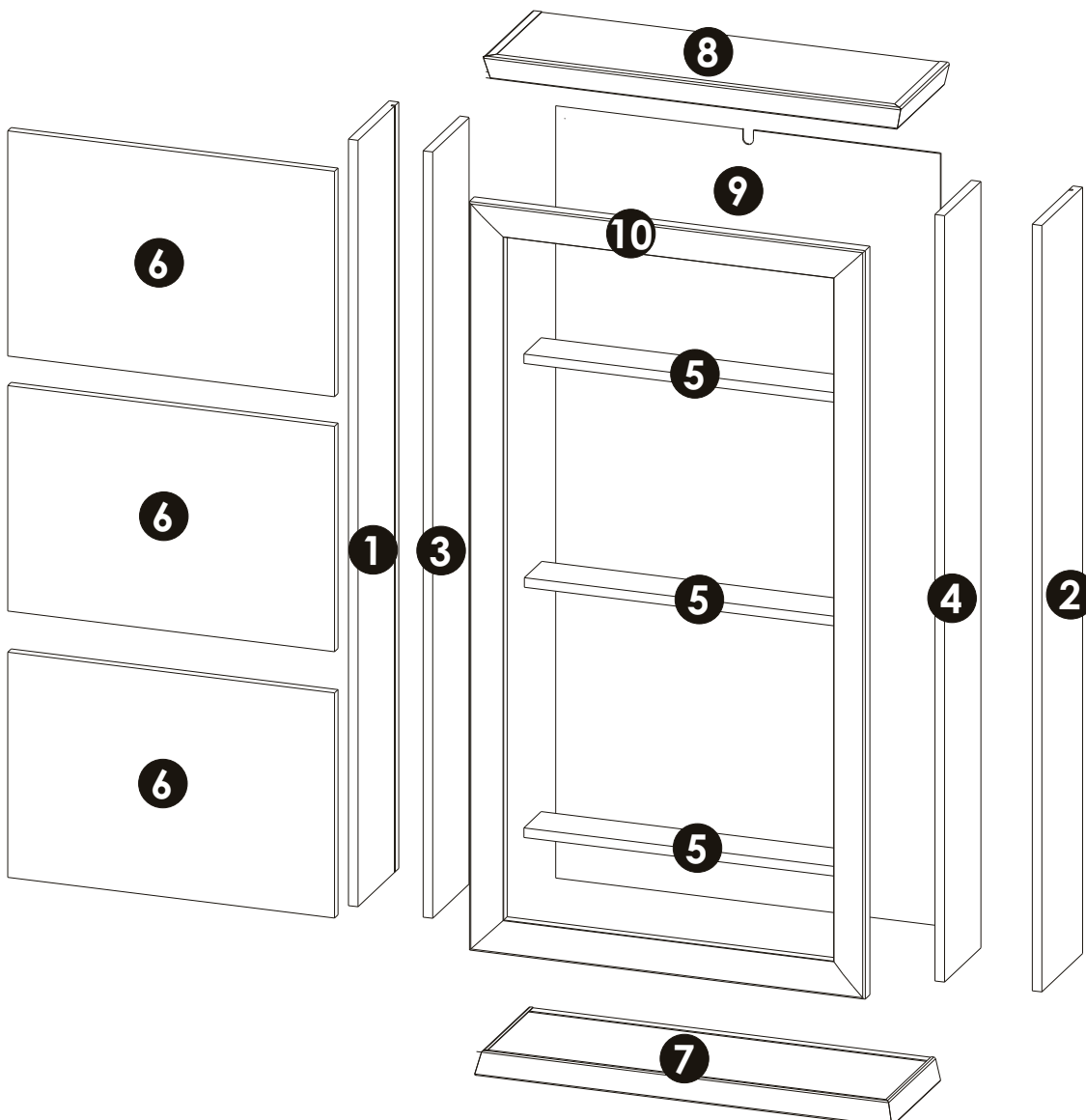
CAMRON - Schuhkipper, TYP B70/B90

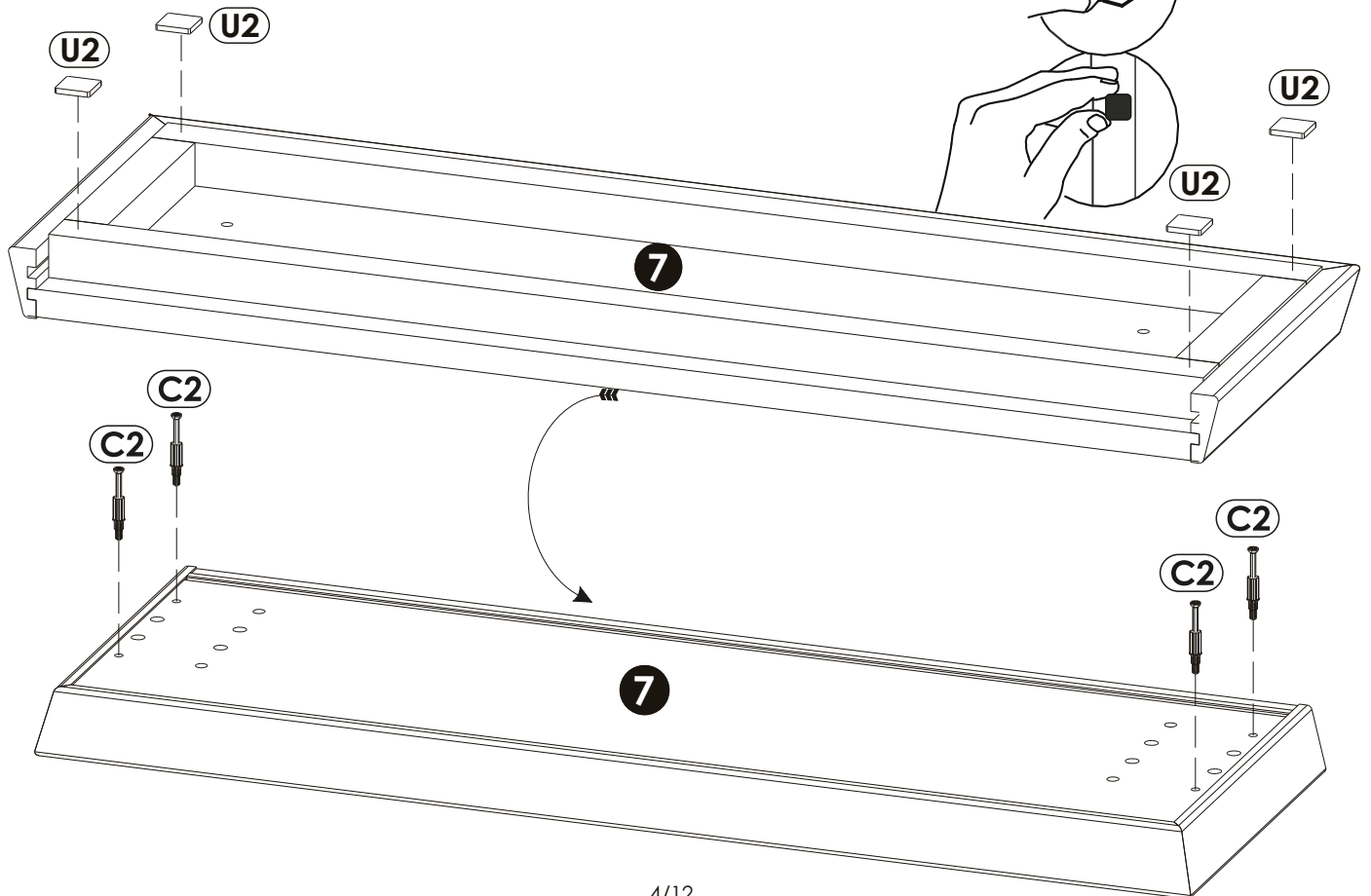
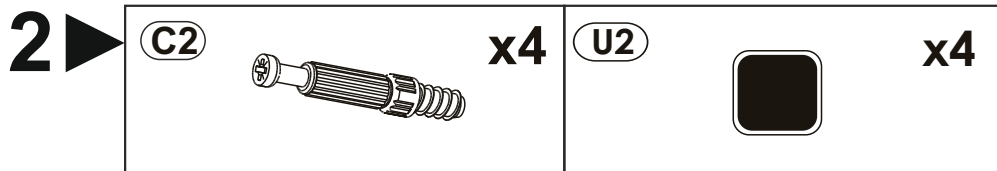
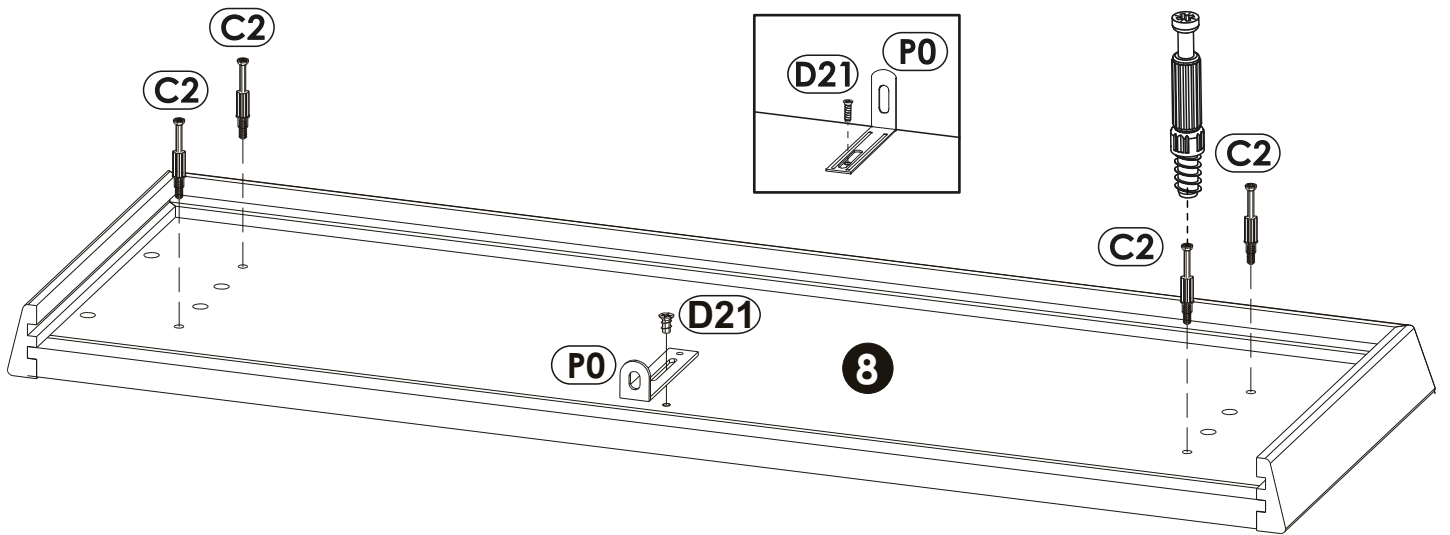
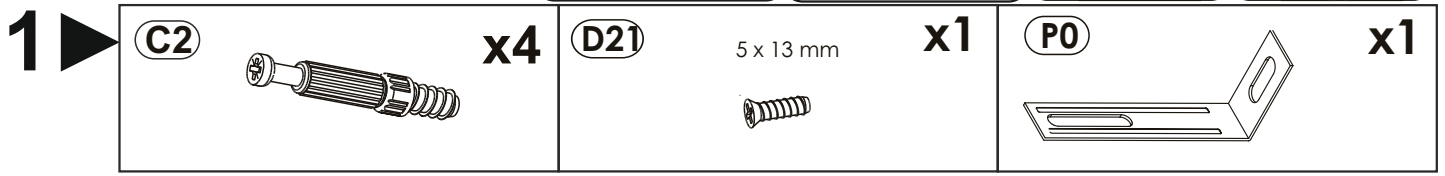
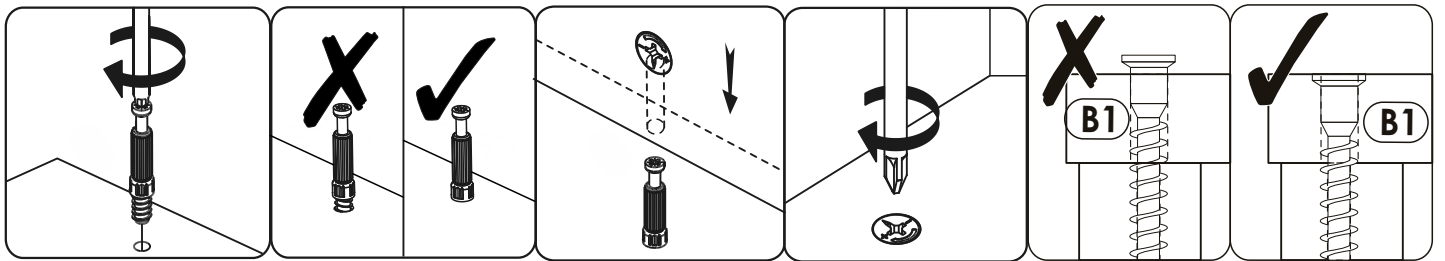
TYP B70

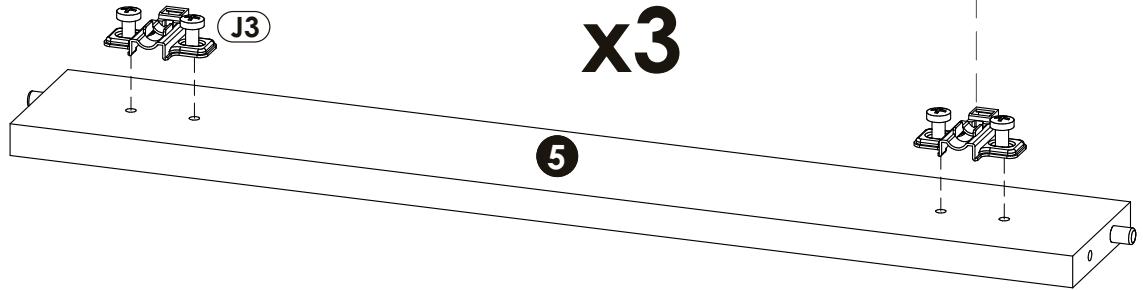
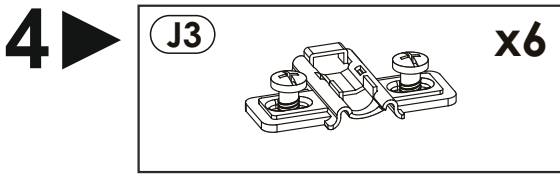
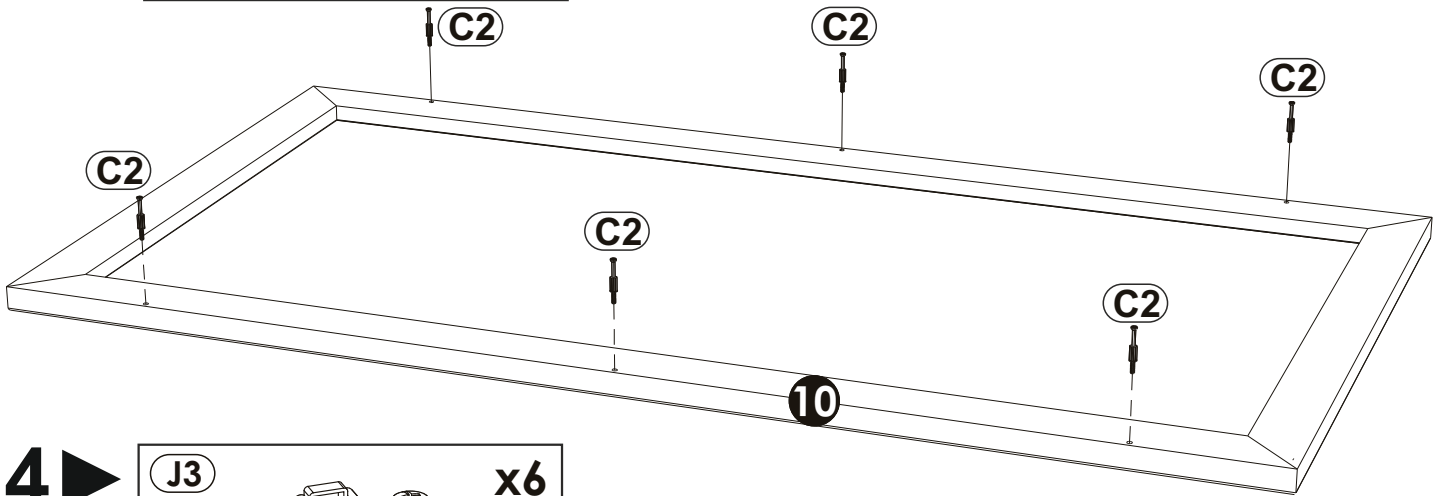
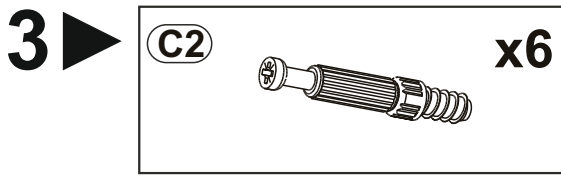
1	1286	188	16	x1	1/4
2	1286	188	16	x1	1/4
3	1286	168	16	x1	1/4
4	1286	168	16	x1	1/4
5	538	80	16	x3	2/4
6	548	378	16	x3	2/4
7	700	225	40	x1	3/4
8	700	225	40	x1	3/4
9	646	1296	3	x1	4/4
10	1254	664	25	x1	4/4
					2/4

TYP B90

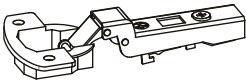

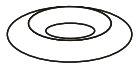



1	1286	188	16	x1	1/4
2	1286	188	16	x1	1/4
3	1286	168	16	x1	1/4
4	1286	168	16	x1	1/4
5	740	80	16	x3	2/4
6	750	378	16	x3	2/4
7	902	225	40	x1	3/4
8	902	225	40	x1	3/4
9	848	1296	3	x1	4/4
10	1254	866	25	x1	4/4
					2/4

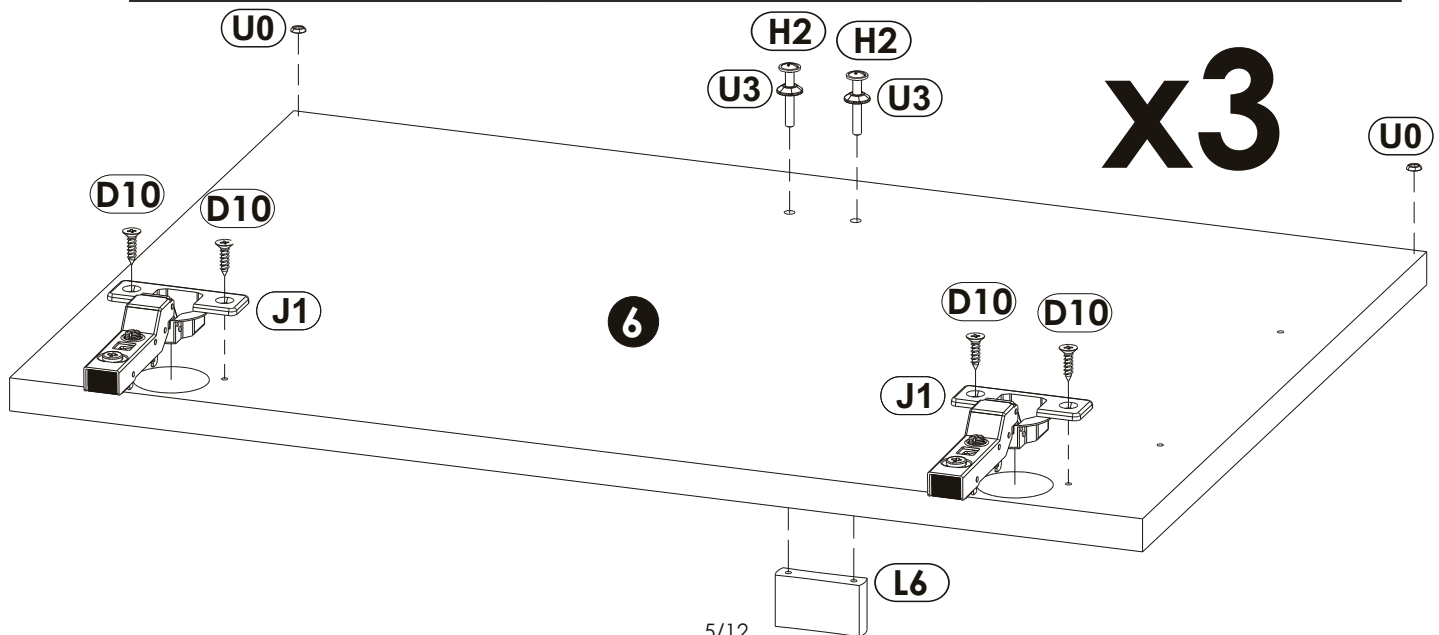




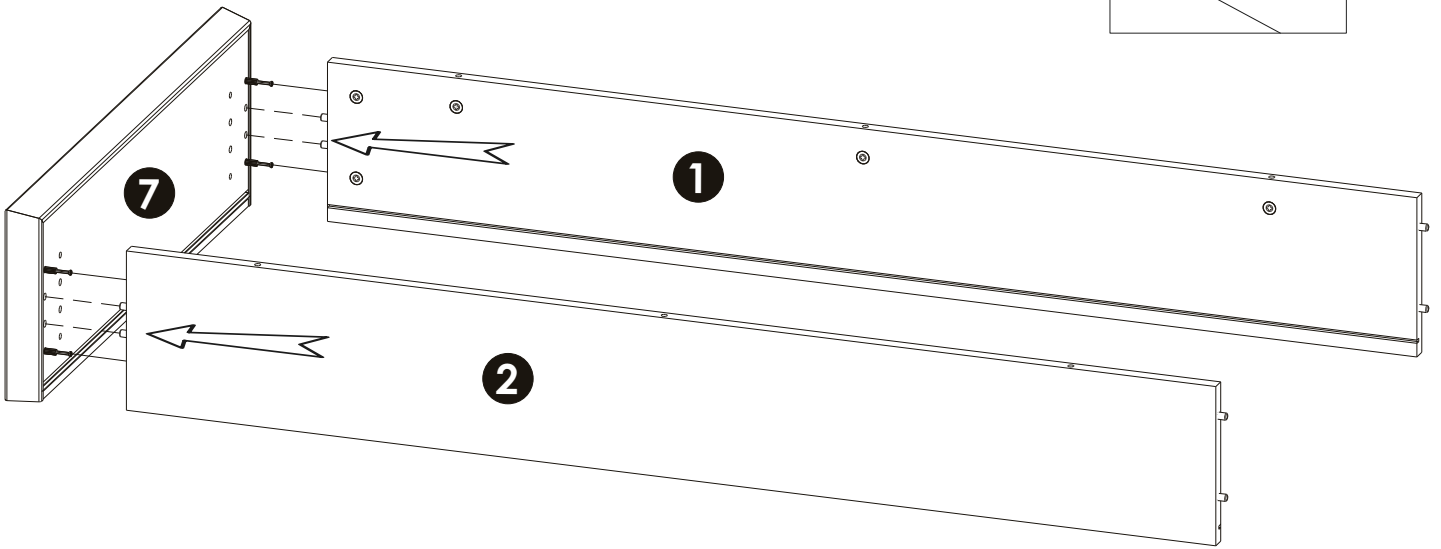
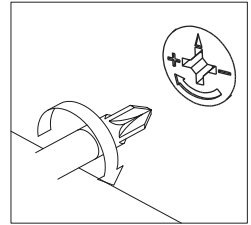


5 ▶

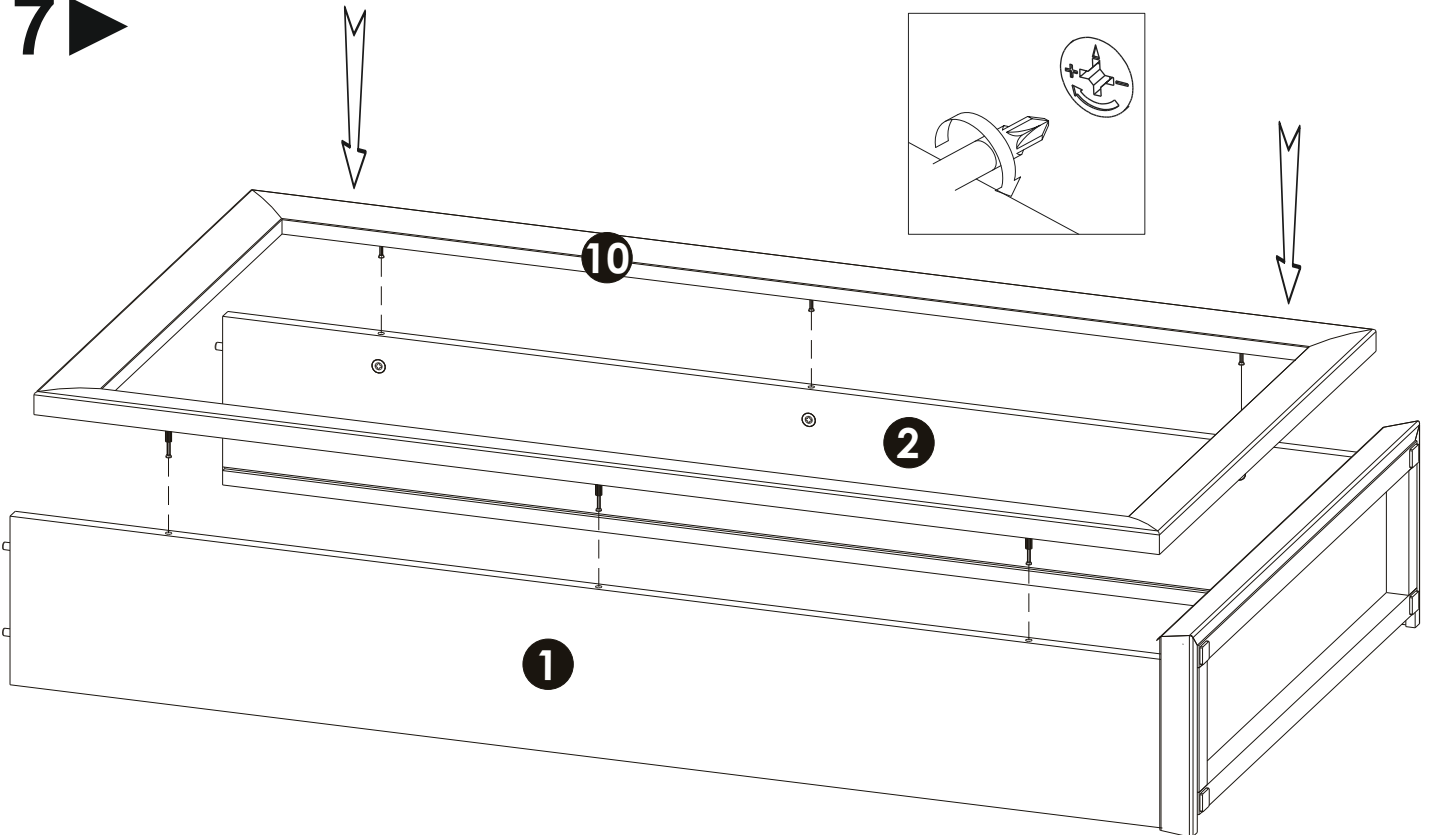
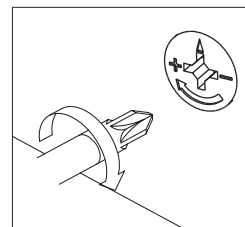
J1  x6	D10 4 x 16 mm  x12	U3  x6
U0  x6	H2 4 x 22 mm  x6	L6  x3



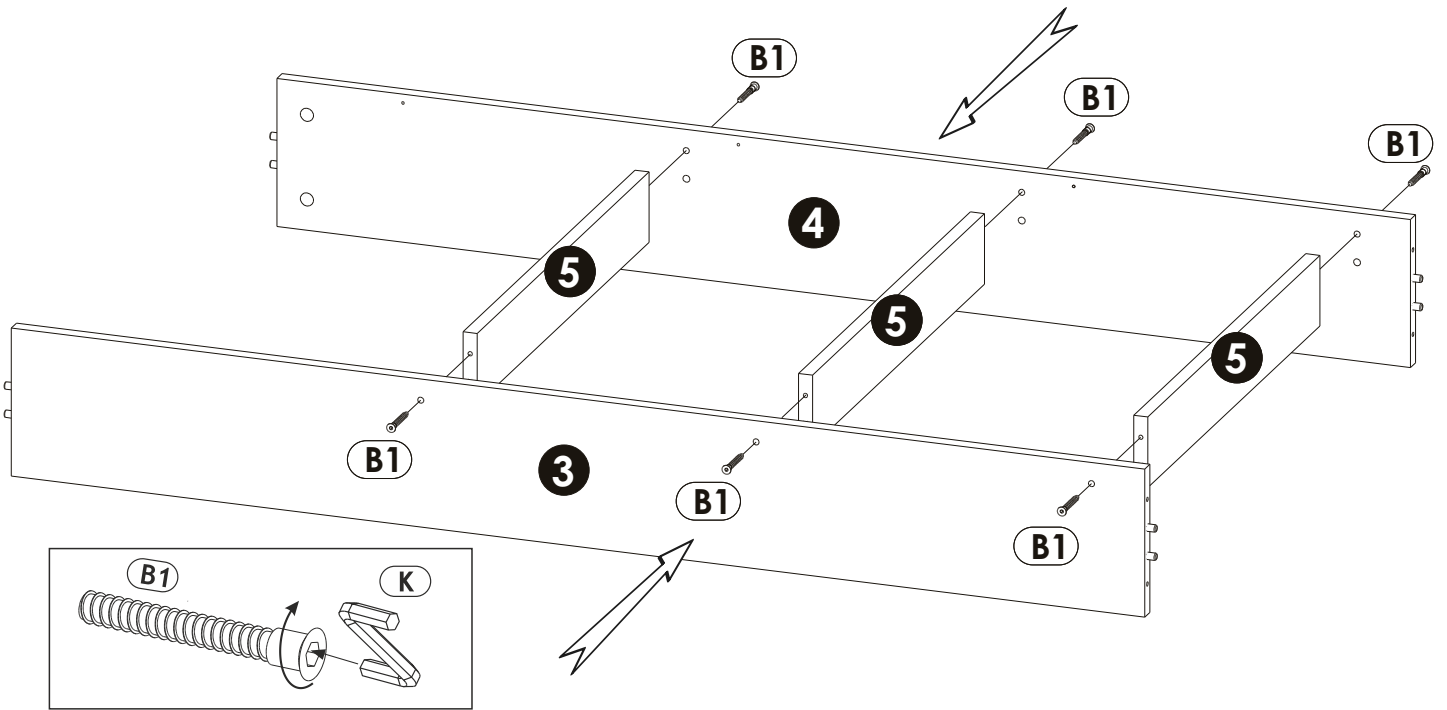
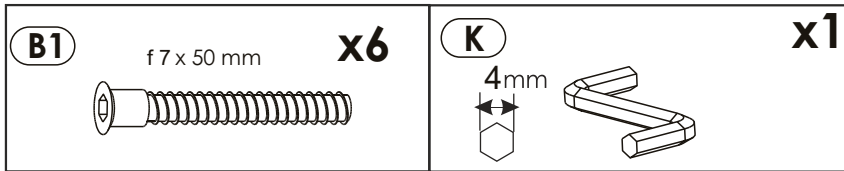
6 ▶



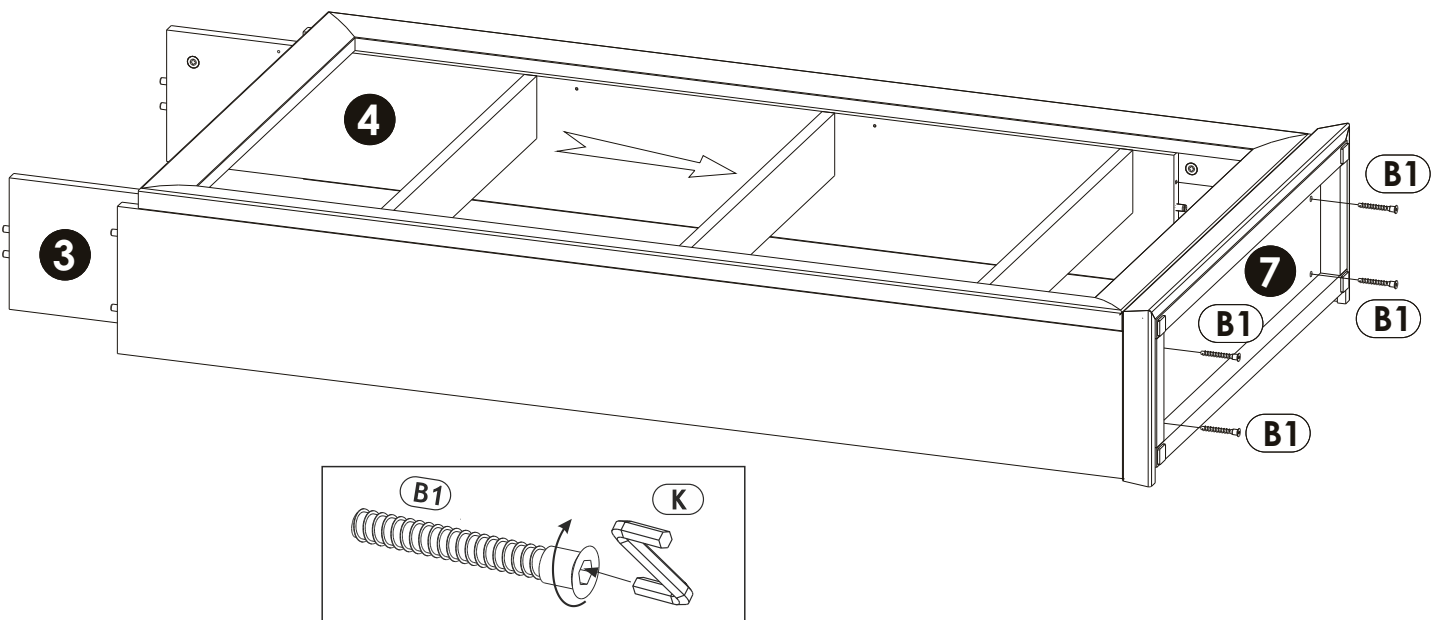
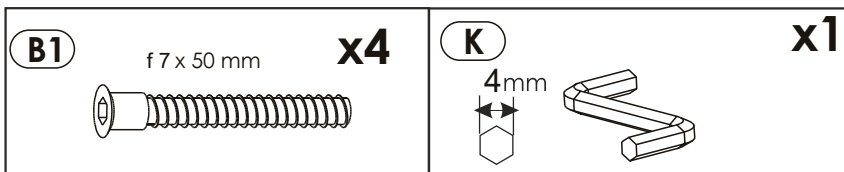
7 ▶



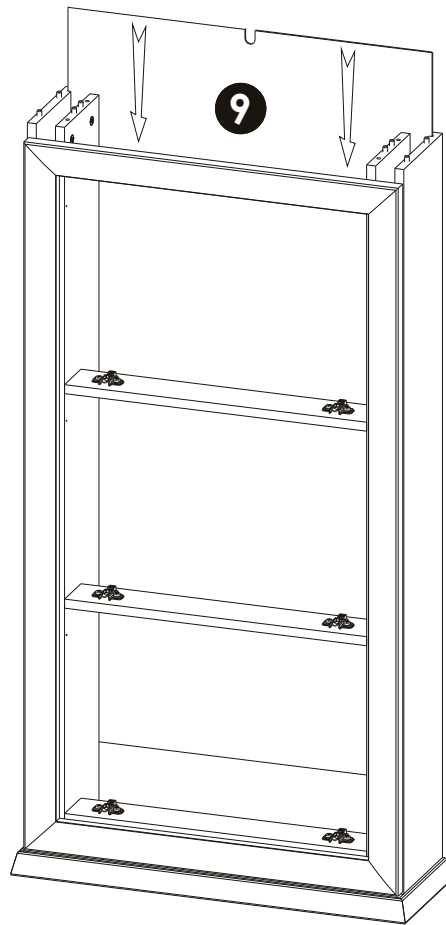
8 ▶



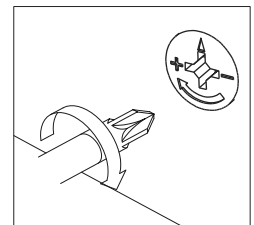
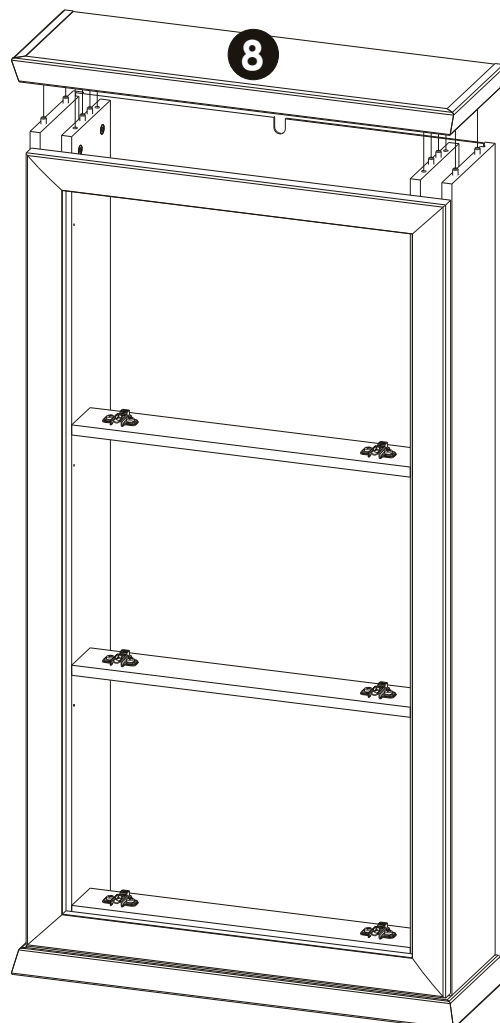
9 ▶



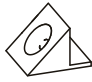

10 ▶

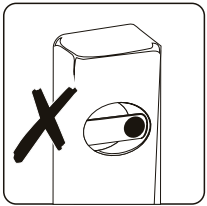
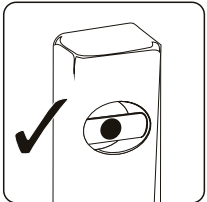
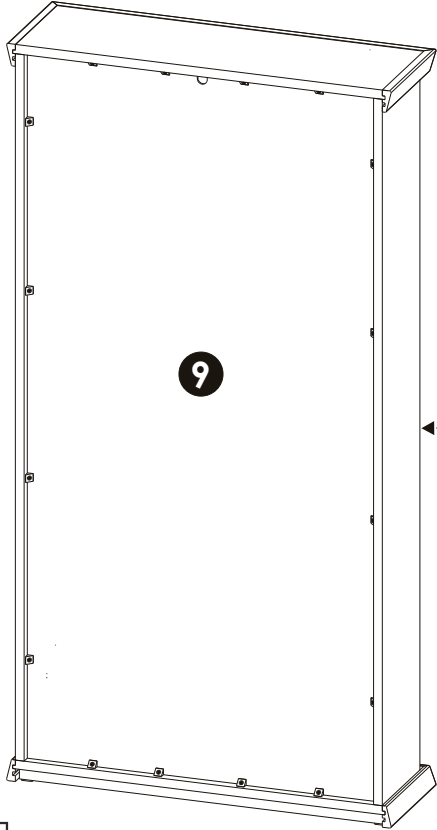
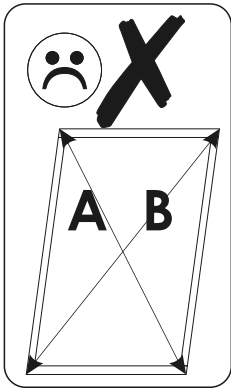
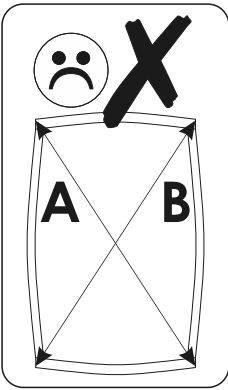
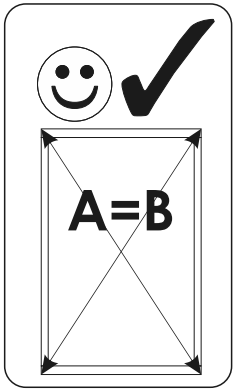
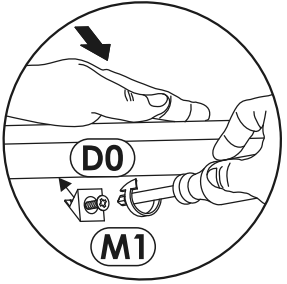


11 ▶

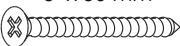



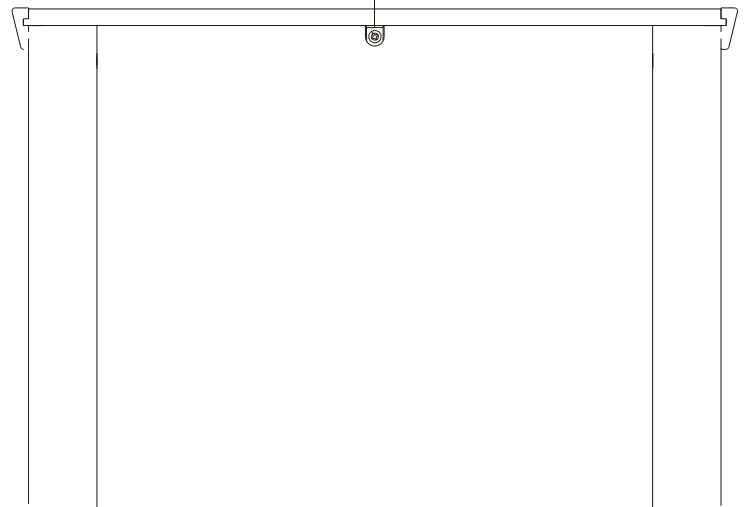
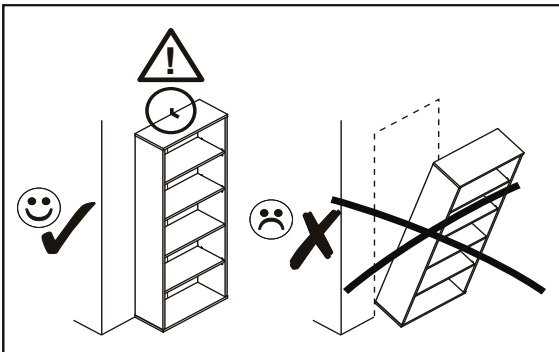
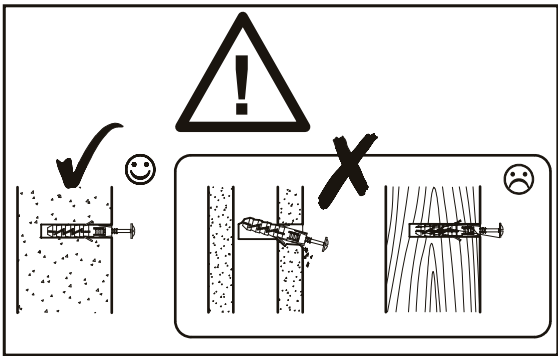
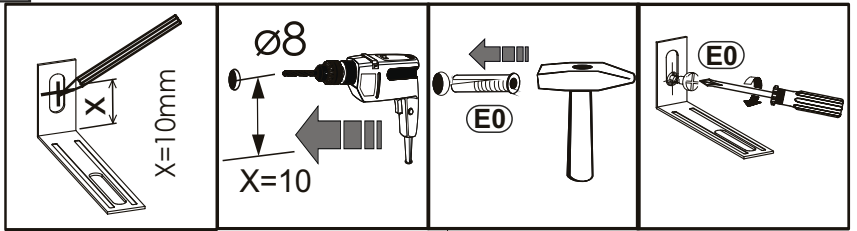
12 ▶

(M1)		x16	(D0)		3 x 15 mm	x16
-------------	---	------------	-------------	---	------------------	------------

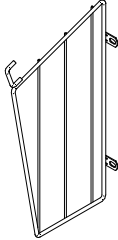
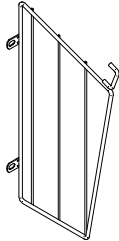
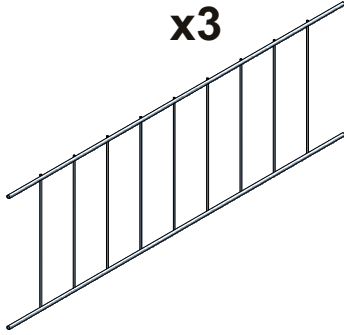
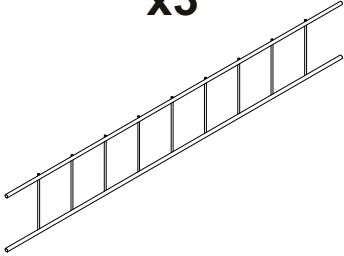
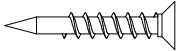
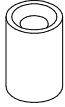
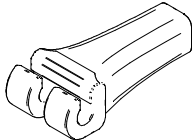


13 ▶

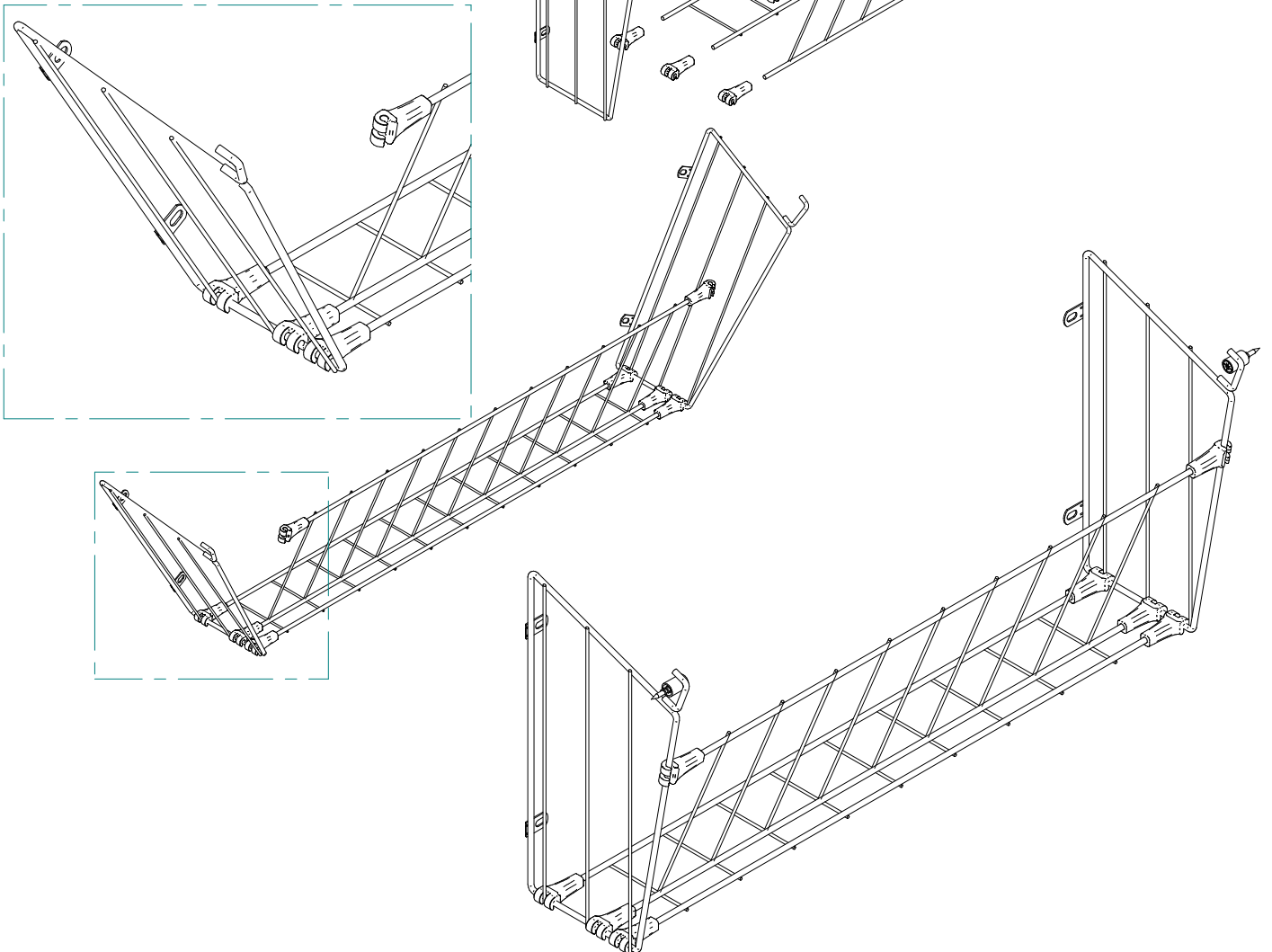
(E0)		5 x 50 mm	x1
		8 x 50 mm	



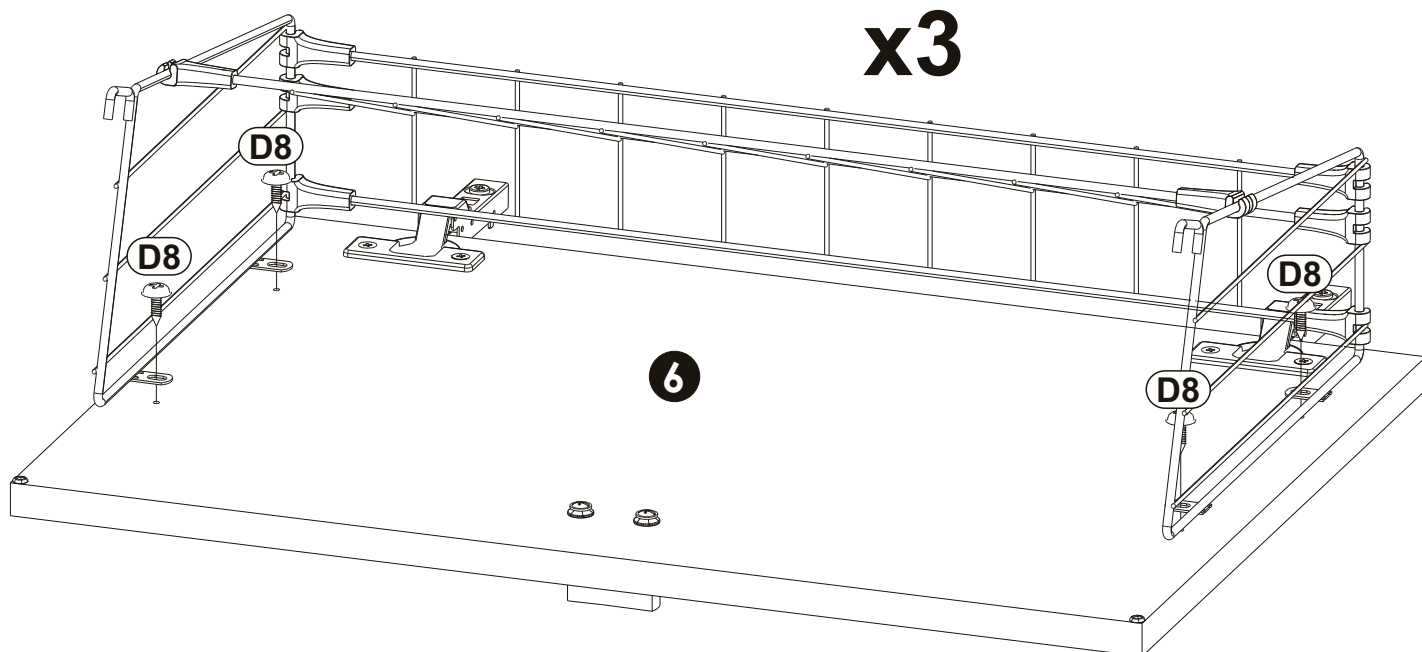
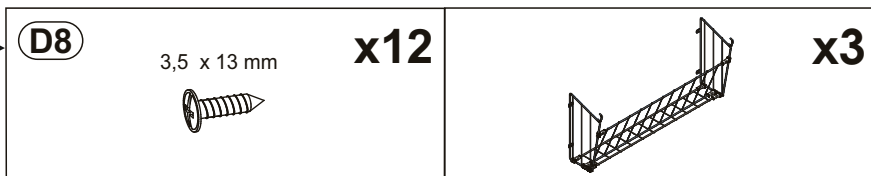
14 ▶▶

x3 	x3 	x3 	x3 
x6 5 x 30 mm 	x6 	x24 	

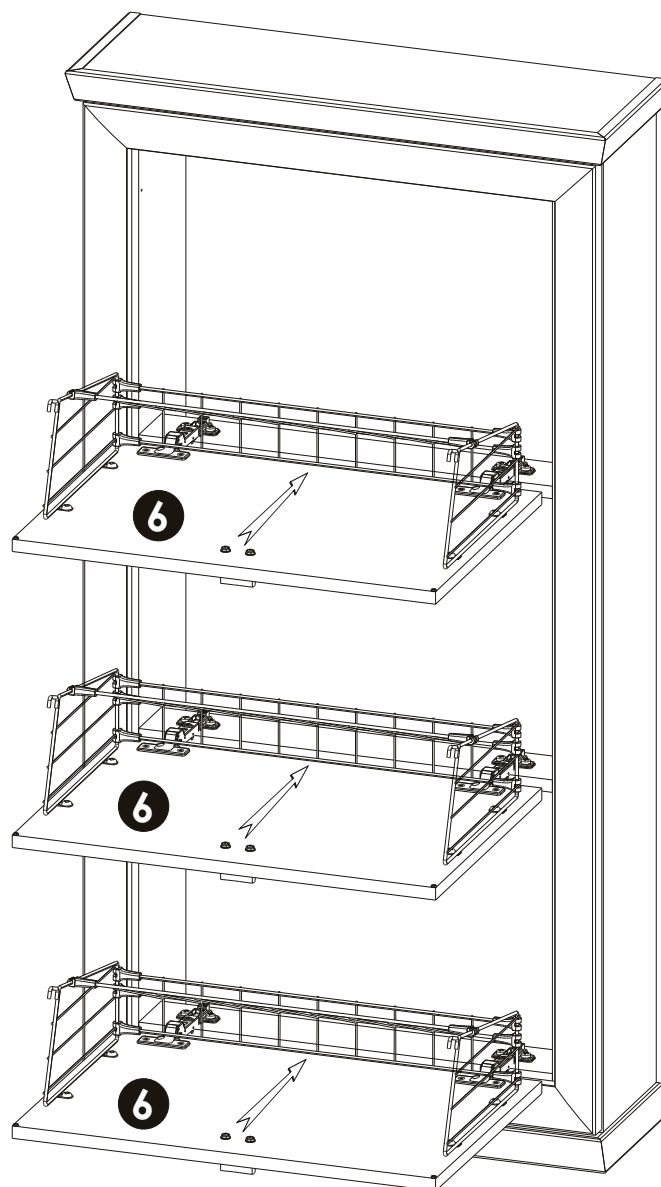
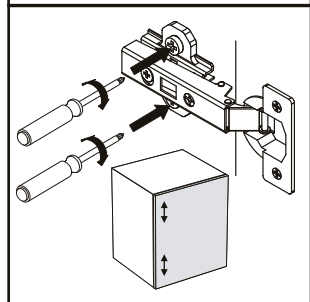
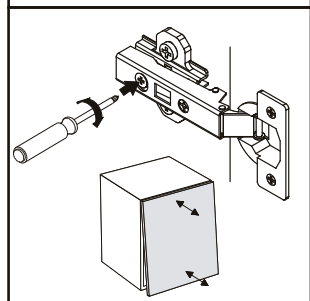
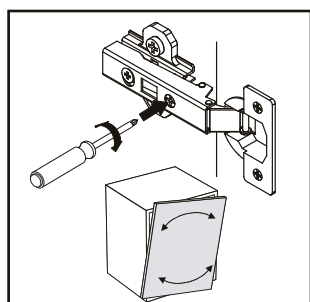
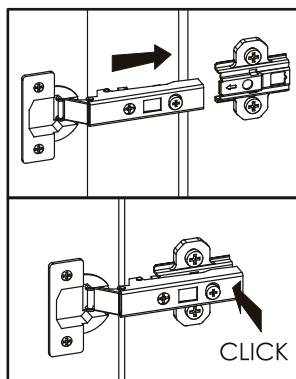
x3



15 ▶



16 ▶



17 ▶

